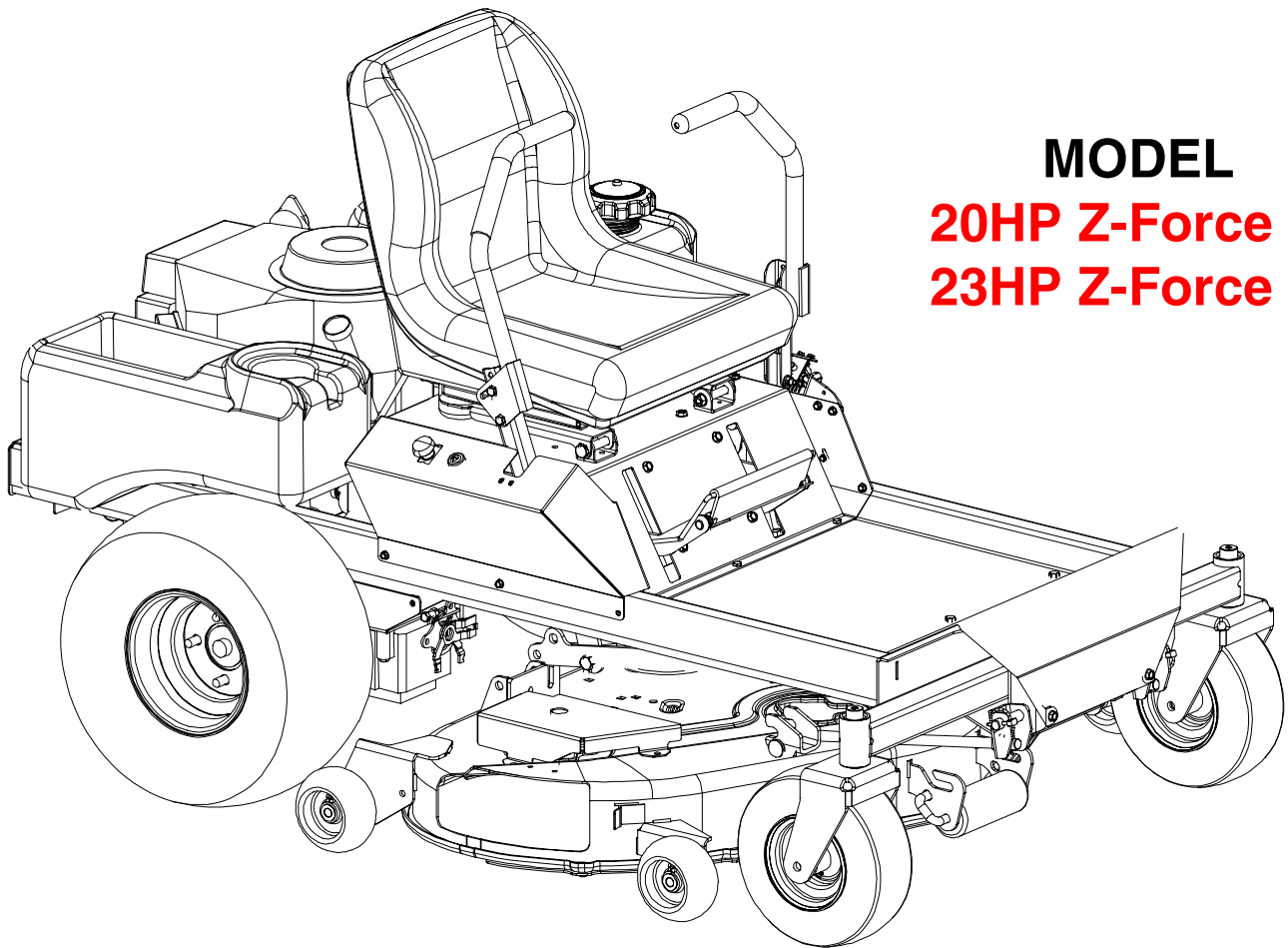


# Cub Cadet®

## Hydrostatic Zero-Turn Residential Riding Mower

*Turf Equipment*



**MODEL**

**20HP Z-Force 44**

**23HP Z-Force 50**

## ILLUSTRATED PARTS LIST

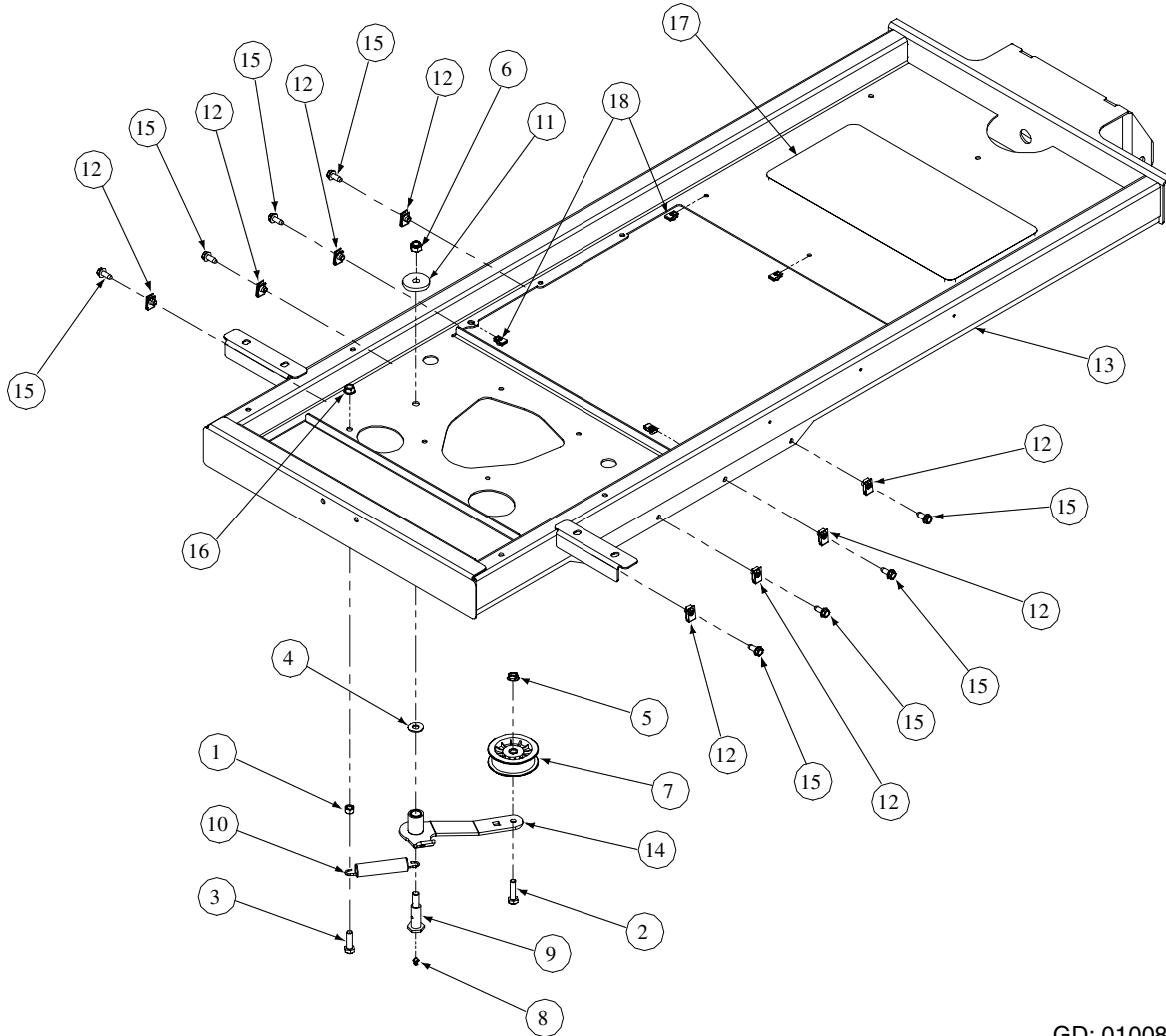
---

# TABLE OF CONTENTS

---

Frame Assembly . . . . .	3
44" Formed Cutter Deck . . . . .	4 and 5
50" Formed Cutter Deck . . . . .	6 and 7
Control Assembly . . . . .	8 and 9
44" Front Caster & Tire Assembly . . . . .	10
50" Front Caster & Tire Assembly . . . . .	11
Steering Assembly . . . . .	12
Drivetrain Assembly . . . . .	13
20 HP Kohler Engine Assembly . . . . .	14
23 HP Kohler Engine Assembly . . . . .	15
Electrical Assembly . . . . .	16
Lift Assembly . . . . .	17
Decal Map . . . . .	18 and 19

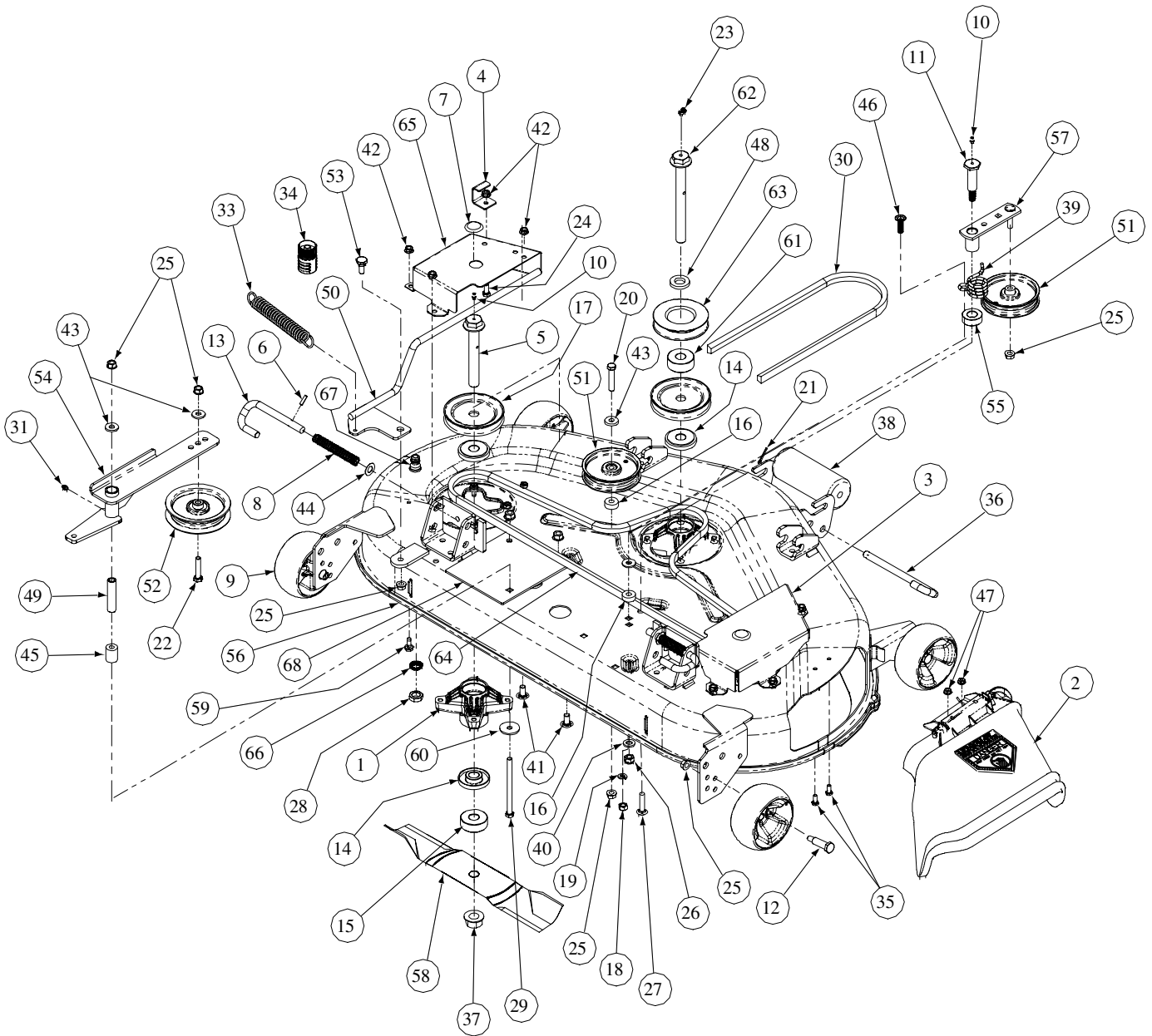
# Frame Assembly- Figure 1 and Parts List



GD: 01008104-10/01/04

Ref. No.	Part No.	Description	Qty.
1	00012166	Hex Nut, 5/16-18	1
2	00011438	Hex Cap Screw, 3/8-16 x 1-1/2	1
3	00013116	Hex Cap Screw, 5/16-18 x 1-1/4	1
4	00006168	Flat Washer, 3/8 zinc	1
5	00022560	Hex Nut, 3/8-16 Flange Lock	1
6	00027279	Nylock Nut, 7/16-14	1
7	00030782	Flat Idler Pulley w/ adaptor	1
8	00060078	Grease Fitting, 1/4-28 x 3/16	1
9	01000505	Shoulder Bolt	1
10	01002874	Extension Spring, .865 OD x 4.68 lg	1
11	01003269	Flat Washer, 7/16 ID x 1.75 OD	1
12	01003563	U-Nut, 5/16-18	8
13	02000615	Frame Assembly Weldment	1
14	01008399	Idler Arm Assembly	1
15	01008764	Hex Washer Screw 5/16-18 x .750	8
16	01000635	Nut, 5/16-18, Hexflange Lock	1
17	01006528	Abrasive Foot Pad	1
18	01008539	U-Nut, 1/4-20	5

# 44" Formed Cutter Deck - Figure 2

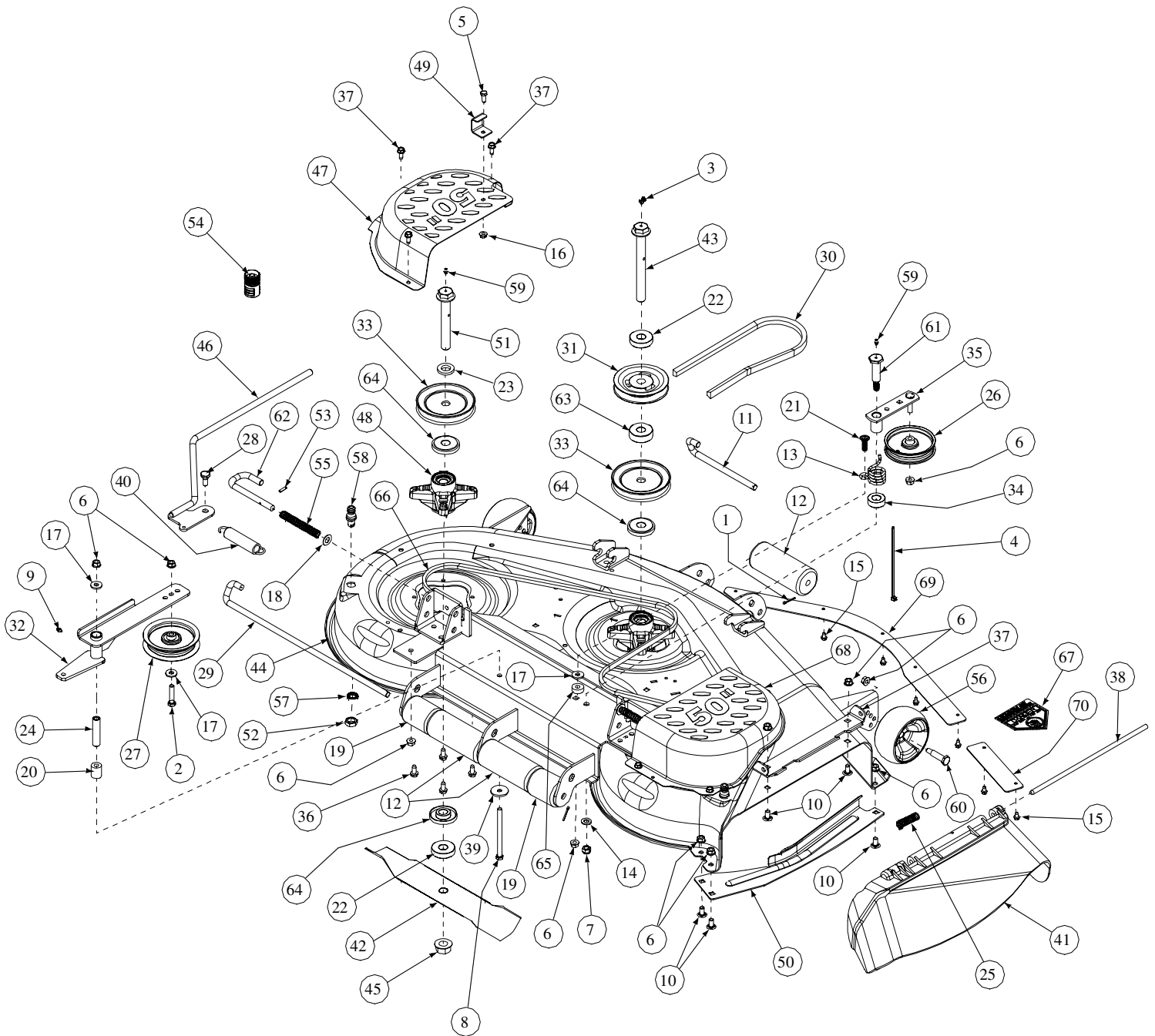


GD: 01010198-01/12/05

## 44" Formed Cutter Deck - Parts List for Figure 2

Ref. No.	Part No.	Description	Qty.	Ref. No.	Part No.	Description	Qty.
1	618-3129B	Spindle Assembly	3	36	01000375	Roller Pin 1/2 x 7.31	1
2	631-0094A	Chute Assembly	1	37	02000402	Nut, 3/4-16, Hex Flange	3
3	01008587	Belt Cover Right Hand	1	38	01000385	Front Roller	1
4	01004109	Tension Rod Stop Bracket	1	39	01000387	Idler Spring	1
5	710-1852	Spindle Bolt 3/4-16 x 5.37	2	40	01000393	Flat Washer, .469 ID x .875 OD x .105	1
6	715-3003	Pin	2	41	01000372	Carriage Bolt, 3/8-16 x .75	2
7	726-3045	Button Plug	2	42	01000635	Lock Nut 5/16-18 Hex Flange	7
8	732-0802	Compression Spring .63 OD x 6.3	2	43	01000723	Flat Washer, .406 ID x 1.0 OD x .105	4
9	734-04039	Deck Wheel, 5.00 Dia.	4	44	01000930	Flat Washer .508 ID x 1.0 OD	2
10	737-3000	Grease Fitting	3	45	01001539	Spacer, .39 ID x .875 OD x 1.100	1
11	738-3172	Shoulder Screw .68 x 2.11	1	46	01002010	Carriage Screw, 3/8-16 x 1.25	1
12	738-0373	Shoulder Screw .498 x 1.53	4	47	01002766	Nut, 1/4-20, hexflange Lock	2
13	747-3013	Support Pin	2	48	01003123	Spacer .812 ID x .218	1
14	748-3065	Spindle Spacer	6	49	01003245	Spacer, .39 ID x .625 OD x 2.75	1
15	748-3020	Blade Spacer	3	50	01004865	Deck Handle Weldment	1
16	750-3119	Spacer .406 ID x 1.0 OD	2	51	01004081	Flat Pulley	2
17	756-3089	Pulley	3	52	01004101	Idler Pulley, 4.06 OD	1
18	00006131	Hex Nut 3/8-16	1	53	01004118	Shoulder Screw, .50 x .27 Lg., 3/8-16	1
19	00012157	Lock Washer, 3/8	1	54	02000134	Idler Arm Assembly, Top	1
20	00002528	Hex Cap Screw 3/8-16 x 2.00	1		01000308	Bearing Sleeve	2
21	00003107	Cotter Pin .125 Dia x 1.0	1	55	01008456	Spacer .760 ID x 1.5 OD	1
22	00008495	Capscrew, 3/8-16 x 1-3/4	1	56	02000619	Deck Assembly 44"	1
23	00012226	Grease Fitting, 1/4-28, 90 degree	1	57	01008593	Idler Arm Assembly	1
24	00013406	Hex Cap Screw 5/16-18 x .75	1	58	01008616	Blade	3
25	00022560	Hex Nut, 3/8-16, Flange Lock	11	59	01008620	Self Tapping Screw 5/16-18 x .750	18
26	00027279	Nut 7/16-14, Nylock	1	60	01009253	Washer, 5/16-18	1
27	00030276	Carriage Bolt 3/8-16 x 1.50	1	61	01010014	Spacer .760 ID x 2.00 OD x 0.790	1
28	712-0641	Hex Nut, M16-1.5	2	62	02000071	Spindle Bolt 3/4-16 x 7.155	1
29	00034167	Hex Cap Screw 3/8-16 x 5.00	1	63	02000079	V-Pulley 4.25 OD Casting	1
30	00050441	V-Belt, B-Section	1	64	02000103	V-Belt, A-Section	1
31	00060078	Grease Fitting, 1/4-28 x 3/16	1	65	02000108	Belt Cover Left Hand	1
32	00083192	Idler Washer	1	66	736-0760	Lock Washer, 17 x 23.8 x 1.95	2
33	01000199	Extension Spring, 1.0 OD x 5.00	1	67	737-04003B	Deck Water Nozzle	2
34	721-04041	Water Nozzle Adaptor	1	68	02000636	Deck Plate	1
35	01000338	Hex Cap Screw 1/4-20 x .620	2				

# 50" Formed Cutter Deck - Figure 3

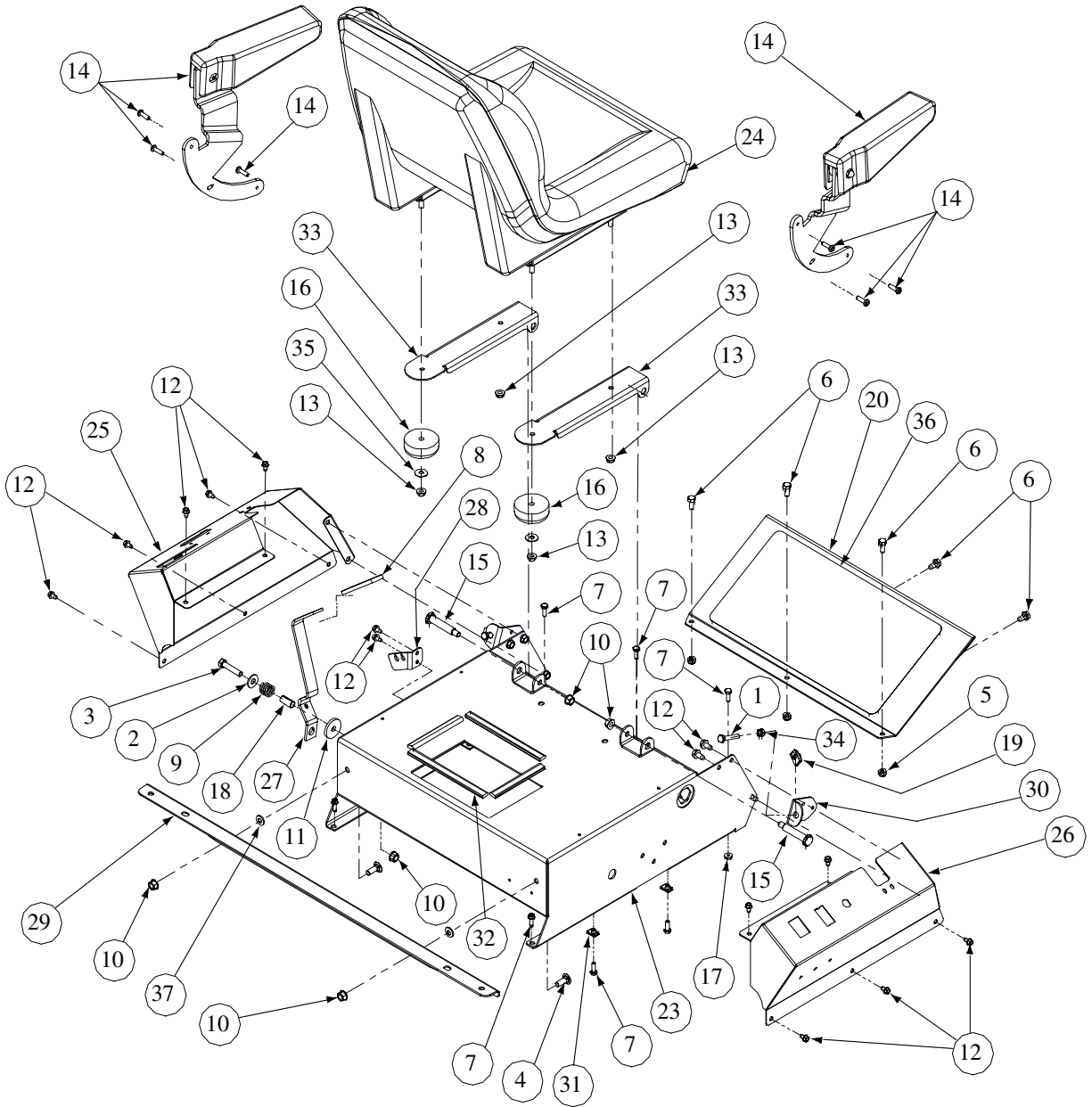


GD: 02000419-12/14/04

## 50" Formed Cutter Deck - Parts List for Figure 3

Ref. No.	Part No.	Description	Qty.	Ref. No.	Part No.	Description	Qty.
1	00003107	Cotter Pin, .125 Dia. x 1.0	2	36	01008620	Self Tapping Screw 5/16-18 x .750	18
2	00008495	Capscrew, 3/8-16 x 1-3/4	1	37	783-04470	Chute Mounting Bracket	1
3	00012226	Grease Fitting, 1/4-28, 90 degree	1	38	01009102	Hinge Pin, .375 x 14.06	1
4	00012470	Cable Tie, 3/16 x .05 x 7.4	1	39	01009253	Flat Washer, .390 x 1.5 x .134	1
5	00013406	Hex Cap Screw 5/16-18 x .75	1	40	01009635	Extension Spring, .98 OD x 5.00	1
6	00022560	Hex Nut, 3/8-16, Flange Lock	12	41	01009705	Chute Deflector	1
7	00027279	Nylock Nut, 7/16-14	1	42	01010168	Hi-Lift Blade, 17.9	3
8	00034167	Hex Cap Screw 3/8-16 x 5.00	1	43	02000071	Spindle Bolt 3/4-16 x 7.155	1
9	00060078	Grease Fitting, 1/4-28 x 3/16	1	44	02000428	Deck Assembly 50"	1
10	01000372	Carriage Bolt 3/8-16 x .75	5	45	02000402	Flange Hex Nut, 3/4-16	3
11	01000375	Roller Pin 1/2 x 7.31	1	46	02000416	Spring Tension Rod Assembly	1
12	01000385	Front Roller	3	47	02000465	Left Hand Belt Cover	1
13	01000387	Idler Spring	1	48	618-3129B	Blade Spindle Assembly	3
14	01000393	Flat Washer, .469 ID x .875 OD x .105	1	49	01004109	Tension Rod Stop Bracket	1
15	01000628	Screw, 1/4-20 x 1/2	7	50	02000831	Finger Guard	1
16	01000635	Hex Nut, 5/16-18 Flange Lock	1	51	710-1852	Spindle Bolt 3/4-16 x 5.37	2
17	01000723	Flat Washer, .406 ID x 1.0 OD x .105	3	52	712-0641	Hex Nut, M16-1.5	2
18	01000930	Washer, .508 ID x 1.0 OD x .020	2	53	715-3003	Pin	2
19	01001169	Grass Catcher Roller	2	54	721-04041	Adaptor, Water Nozzle	1
20	01001539	Spacer, .39 ID x .875 OD x 1.100	1	55	732-0802	Compression Spring .63 OD x 6.3	2
21	01002010	Carriage Screw, 3/8-16 x 1.25	1	56	734-04039	Deck Wheel, 5.00 Dia.	2
22	01002564	Spacer, .76 ID x 2.00 OD x .477	4	57	736-0760	Lock Washer, 17 x 23.8 x 1.9	2
23	01003123	Spacer .812 ID x .218	2	58	737-04003B	Nozzle, Deck Water	2
24	01003245	Spacer, .39 ID x .625 OD x 2.75	1	59	737-3000	Grease Fitting	3
25	01003253	Torsion Spring	1	60	738-0373	Shoulder Screw .498 x 1.53	2
26	01004081	Flat Pulley	1	61	738-3172	Shoulder Screw .68 x 2.11	1
27	01004101	Idler Pulley, 4.06 OD	1	62	747-3013	Support Pin	2
28	01004118	Shoulder Screw, .50 x .27 Lg., 3/8-16	1	63	748-3020	Blade Spacer	1
29	01004751	Rod, Rear Roller	1	64	748-3065	Spindle Spacer	6
30	01005011	V-Belt, Mower Drive	1	65	750-3119	Spacer .406 ID x 1.00 OD x 0.38	2
31	01005202	V-Pulley, 4.75 OD	1	66	02000653	V-Belt, 1/2 x 90.9 LG	1
32	02000134	Idler Arm Assembly, Top	1	67	777S30145	Decal, Danger Hands & Feet	1
33	01006535	V-Pulley, 5.0 OD	3	68	02000467	Right Hand Belt Cover	1
34	01008456	Spacer .760 ID x 1.5 OD	1	69	02000430	Skirt, Center, 50"	1
35	01008593	Idler Arm Assembly	1	70	02000429	Skirt, Right Hand, 50"	1

# Control Assembly - Figure 4



GD: 01009777-11/04/04

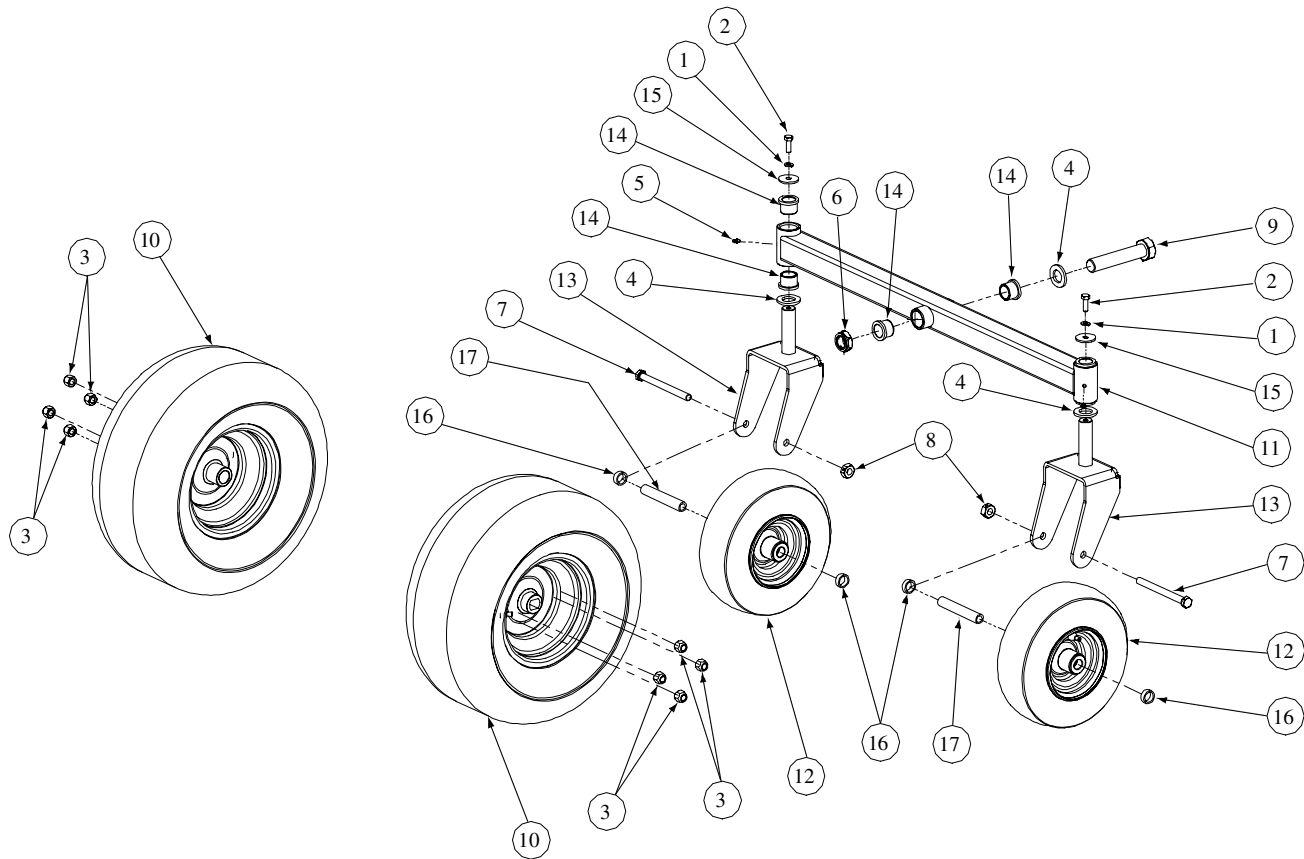


## Control Assembly - Parts List for Figure 4

---

Ref. No.	Part No.	Description	Qty.
1	00012382	Hex Cap Screw, 5/16-18 x 1-1/2	2
2	00083192	Idler Washer	1
3	00008495	Capscrew, 3/8-16 x 1-3/4	1
4	01000372	Carriage Bolt, 3/8-16	2
5	00012165	Nylock Nut, 5/16-18	3
6	01008620	Self Tapping Screw, 5/16-18 x 3/4	5
7	01000629	Self Tapping Screw, 1/4-20 x .75	9
8	00013595	Parking Brake Grip	1
9	00021797	Spring, .85 OD x 1 Lg	1
10	00022560	Hex Nut, 3/8-16 Flange Lock	5
11	00070022	Flat Washer, 1.25 x .411 x .100	1
12	01000628	Screw, 1/4-20 x 1/2	18
13	01000635	Hex Nut, 5/16-18 Flange Lock	4
14	--	Kit, Armrest (Available through Whole goods)	1
15	01002634	Shoulder Screw, 3/8-16, .5 x 2.345	2
16	01002753	Groment, 2.5 OD x 1.0 Lg	2
17	01002766	Hex Nut, 1/4-20 Flange Lock	3
18	01002772	Spacer, .375 x .50 x 1.02	1
19	01003563	U-Nut, 5/16-18	2
20	02000614	Foot Rest Bracket	1
21	01008198	Left Hand Brake Cable (not shown)	1
22	01008199	Right Hand Brake Cable (not shown)	1
23	01008482	Control Housing Weldment	1
24	01008413	Seat Adjust	1
25	01010006	Left Hand Control Console	1
26	01010007	Right Hand Control Console	1
27	02000630	Parking Brake Lever	1
28	01008488	Brake Cable Bracket	1
29	01008491	Front Tank Mounting Bracket	1
30	01008528	Lapbar Stop Bracket	2
31	01008539	U-Nut, 1/4-20	4
32	01008572	Battery Edge Trim	4
33	01008583	Seat Mounting Bracket	2
34	00012166	Hex Nut, 5/16-18	2
35	01000960	Washer, .325 x .930 x .045	2
36	01006528	Abrasive Foot Pad	1
37	01000723	Flat Washer, .406 ID x 1.0 OD x .105	1

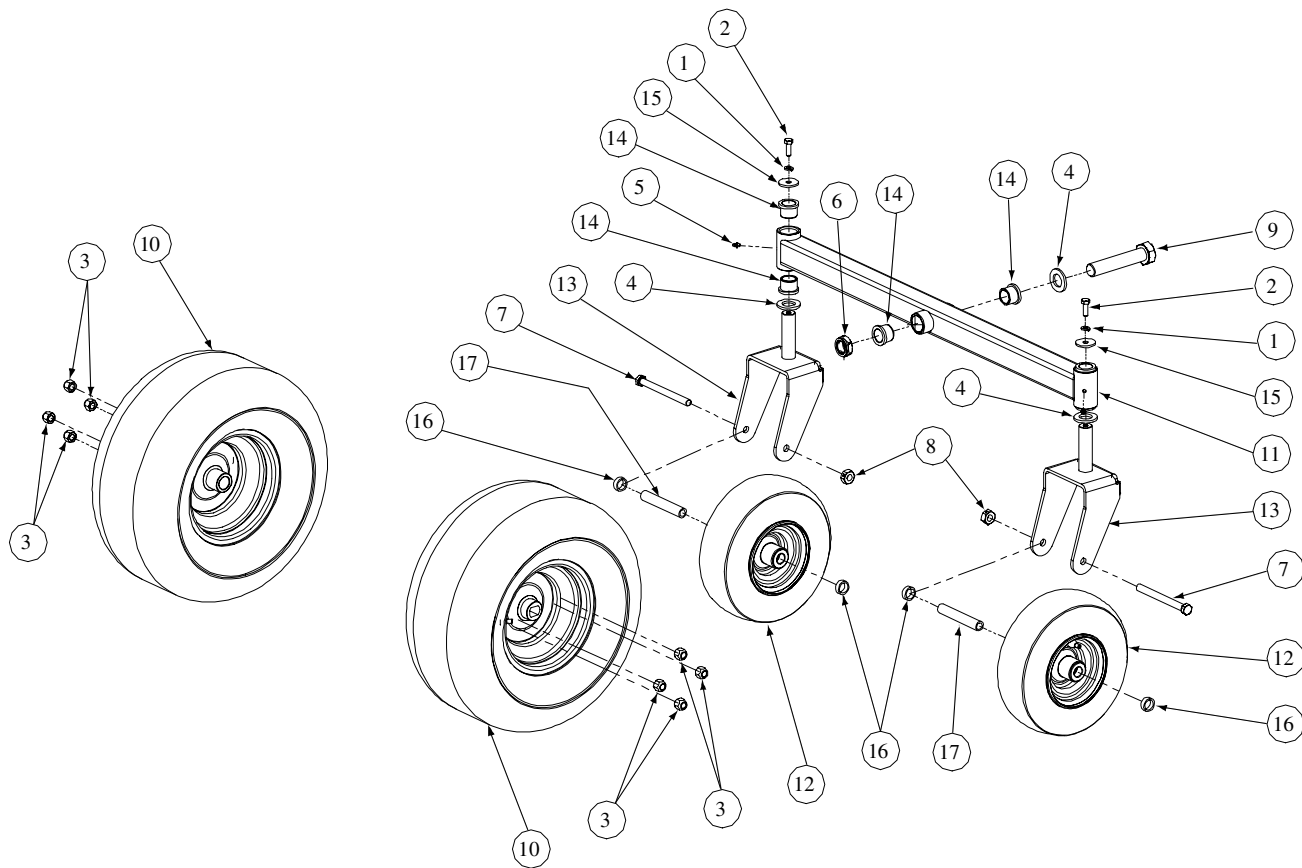
# 44" Front Caster & Tire Assembly - Figure 5 and Parts List



GD: 01008107-10/01/04

Ref. No.	Part No.	Description	Qty.
1	00012157	Lock Washer, 3/8 Zinc	2
2	01000368	Hex Cap Screw, 3/8-16 x .88	2
3	00012187	Lug Nut, 1/2-20	8
4	00023822	Washer Special	3
5	00060078	Grease Fitting, 1/4-28 x 3/16	2
6	01000678	Nut Jam, 1.0-14, Nylon Insert	1
7	01000745	Hex Cap Screw, 1/2-20 x 5.50	2
8	00023287	Nut, 1/2-20, Center Lock	2
9	01006309	Hex Cap Screw, 1-14 x 5.0	1
10	01008320	Wheel Assembly, 18 x 8.5	2
11	02000616	Front Axle Assembly	1
12	634-3163	Front Wheel Assembly	2
13	02000613	Castor Wheel Mounting Bracket	2
14	731-0374	Flange Bearing, 1.0 ID	6
15	01009253	Flat Washer, .390 x 1.5 x .134	2
16	00023649	Spacer, .790 ID x .347 Lg	4
17	750-3197A	Wheel Spacer	2

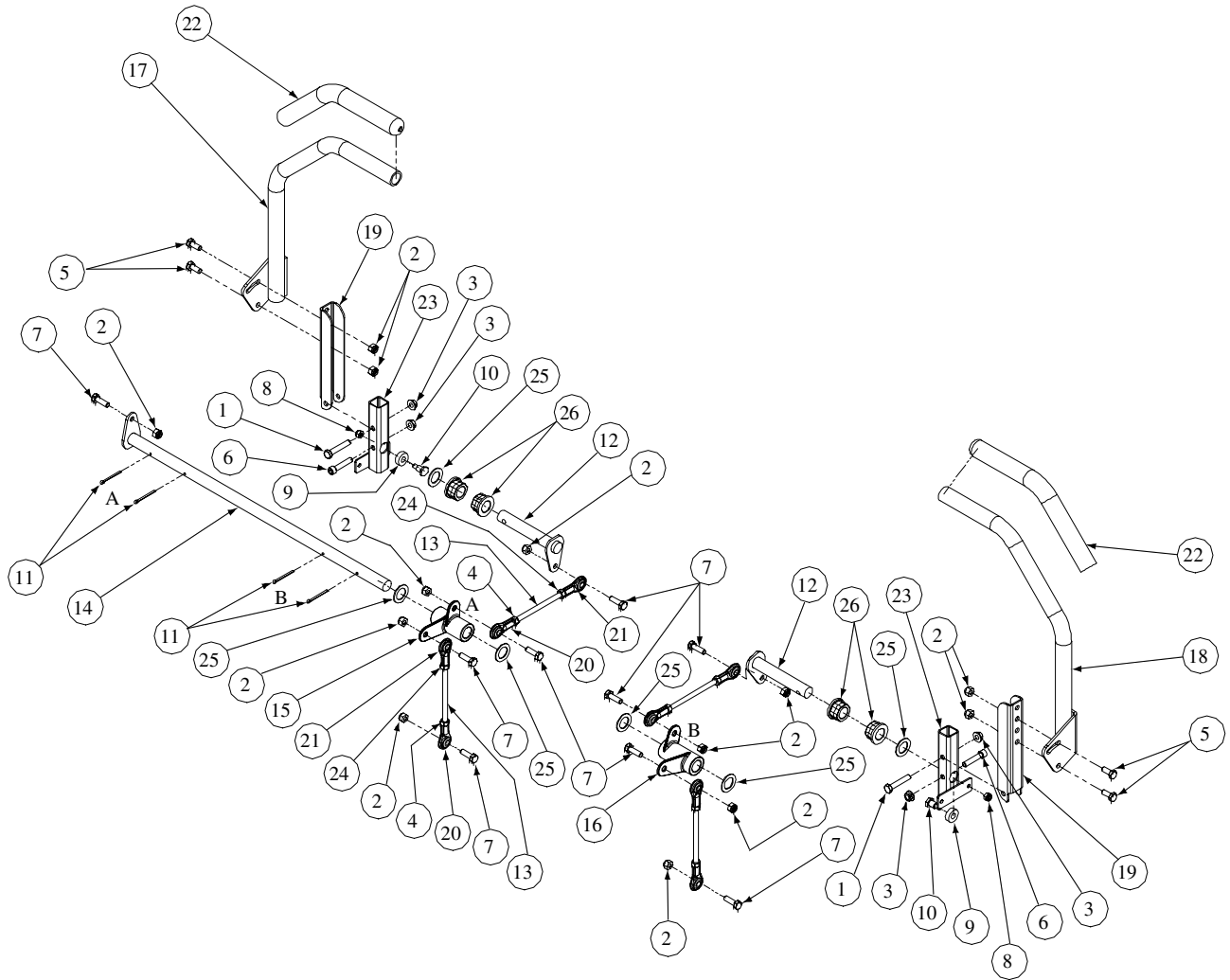
# 50" Front Caster & Tire Assembly - Figure 6 and Parts List



GD: 01009776-10/01/04

Ref. No.	Part No.	Description	Qty.
1	00012157	Lock Washer, 3/8 Zinc	2
2	01000368	Hex Cap Screw, 3/8-16 x .88	2
3	00012187	Lug Nut, 1/2-20	8
4	00023822	Washer Special	3
5	00060078	Grease Fitting, 1/4-28 x 3/16	2
6	01000678	Nut Jam, 1.0-14, Nylon Insert	1
7	01000745	Hex Cap Screw, 1/2-20 x 5.50	2
8	00023287	Nut, 1/2-20, Center Lock	2
9	01006309	Hex Cap Screw, 1-14 x 5.0	1
10	01009828	Wheel Assembly, 18 x 9.5	2
11	02000616	Front Axle Assembly	1
12	634-3163	Front Wheel Assembly	2
13	02000613	Castor Wheel Mounting Bracket	2
14	731-0374	Flange Bearing, 1.0 ID	6
15	01009253	Flat Washer, .390 x 1.5 x .134	2
16	00023649	Spacer, .790 ID x .347 Lg	4
17	750-3197A	Wheel Spacer	2

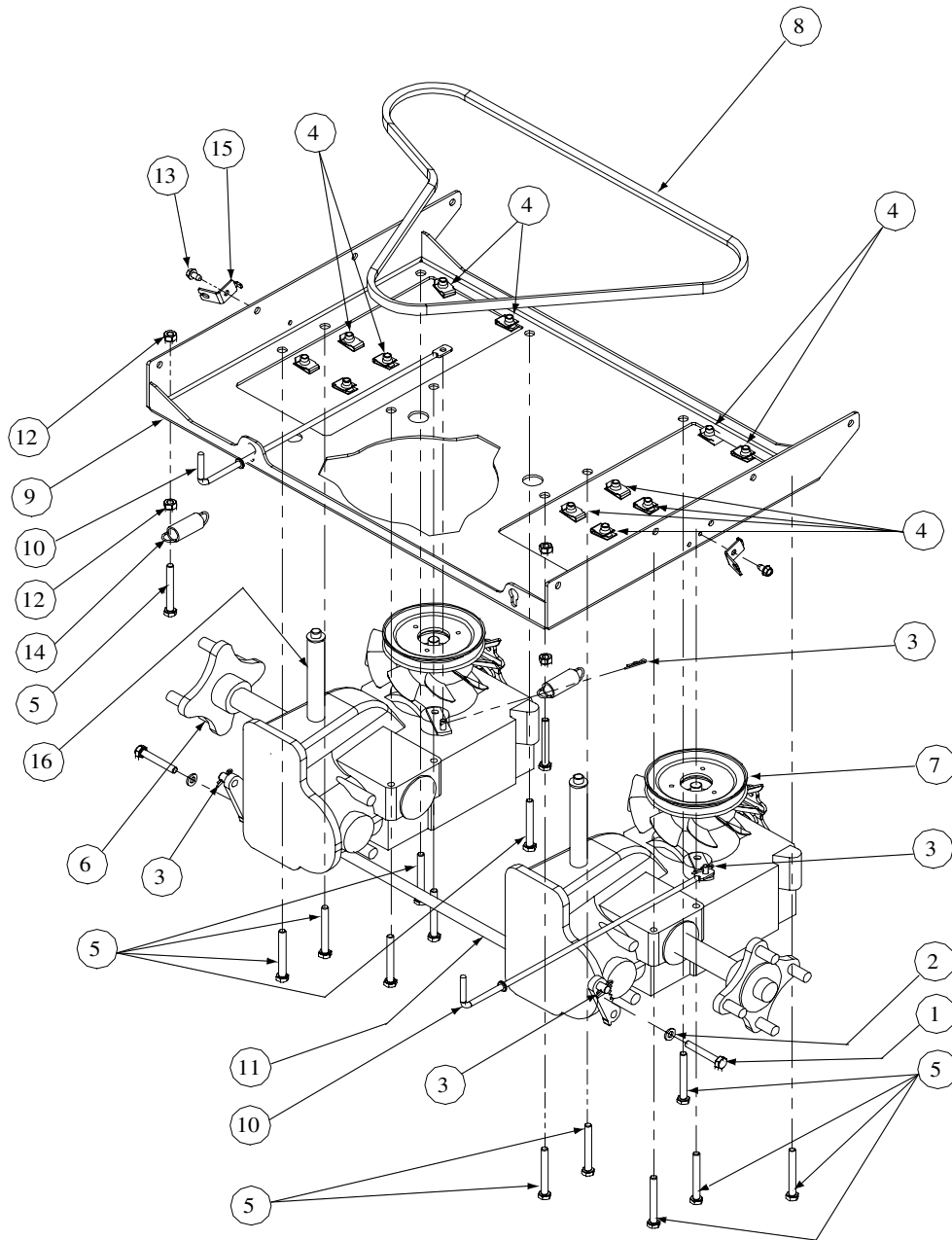
# Steering Assembly -Figure 7 and Parts List



GD: 01008108-01/26/04

Ref. No.	Part No.	Description	Qty.	Ref. No.	Part No.	Description	Qty.	
1	00006129	Hex Cap Screw, 5/16-18 x 1-3/4		2	14	01008432	Bellcrank Steering Shaft Assembly	1
2	00012165	Nut, 5/16-18, Nylock		13	15	01008840	Steering Bellcrank Assembly Left Hand	1
3	01000635	Nut, 5/16-18, Lock		4	16	01008841	Steering Bellcrank Assembly Right Hand	1
4	00012167	Hex Nut, 5/16-24		4	17	01008425	Steering Handle Assembly Left Hand	1
5	00012179	Hex Cap Screw, 5/16-18 x 3/4		4	18	01008426	Steering Handle Assembly Right Hand	1
6	01008600	Capscrew, 5/16-18 x 1.50, Socket Head		2	19	01008165	Steering Pivot Bracket	2
7	00013092	Hex Cap Screw, 5/16-18 x 1.0		9	20	01008410	Rod End, 5/16, Right Hand	4
8	00014081	Nut, 1/4-28, SS, Nylon Insert		2	21	01008551	Rod End, 5/16, Left Hand	4
9	00071691	Control Rod Spacer		2	22	01008552	Lap Bar Grip	2
10	01001919	Shoulder Screw, 1/4-28		2	23	01008458	Pivot Bracket Weldment	2
11	00003107	Cotter Pin, .125 Dia. x 1.0		4	24	01008576	Hex Nut, 5/16-24, Left Hand	4
12	01008433	Steering Input Shaft Assembly		2	25	736-0287	Flat Washer, .793 ID x 1.24 OD x .060	6
13	01008149	Steering Link Rod		4	26	741-0598	Hex Flange Bearing, .752 ID	4

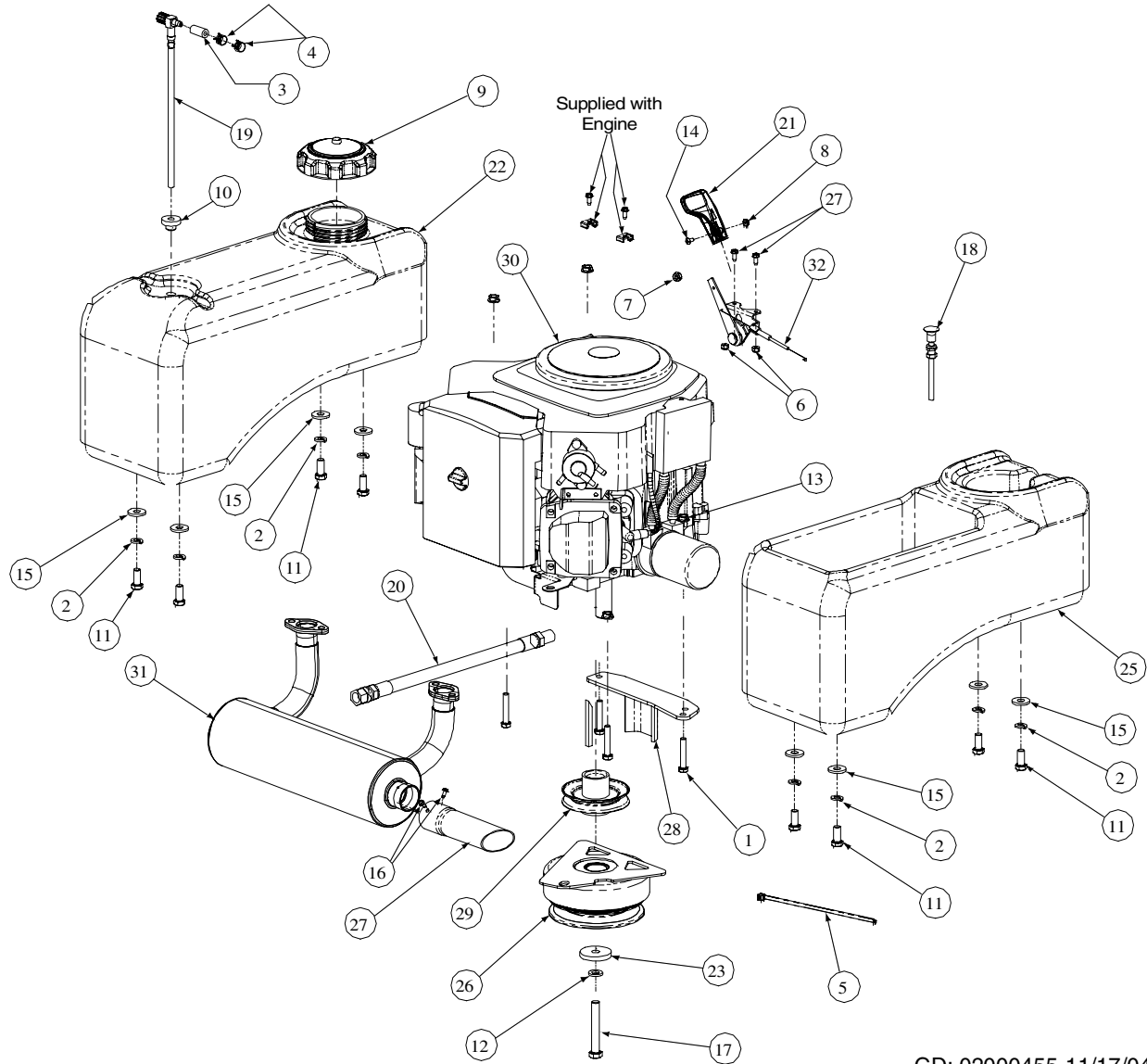
# Drive Train Assembly- Figure 8 and Parts List



GD: 01008106-10/01/04

Ref. No.	Part No.	Description	Qty.	Ref. No.	Part No.	Description	Qty.
1	00013198	Hex Cap Screw, 5/16-18 x 2.0	2	10	01008380	Pump Rod	2
2	00012169	Flat Washer, .320 ID x .591 OD	2	11	01008414	Transmission Brace Tube	1
3	01002771	Cotter Pin, .072 x 1.12 Lg	4	12	00012166	Nut, 5/16-18	4
4	01003563	U-Nut, 5/16-18	12	13	01000628	Screw, 1/4-20 x 1/2	2
5	01007122	Hex Cap Screw, 5/16-18 x 2.5	14	14	01008758	Extension Spring, 1.0 OD x 5.000	2
6	01008192	IZT Transmission, Left Hand	1	15	01008611	Brake Cable Mounting Bracket	2
7	01008193	IZT Transmission, Right Hand	1	16	HG-51401	Hose, 1/2 Dia. x 4" Long includes:	1
8	01008349	V-Belt, 56.00	1		HG-70110	O-Ring Fitting Assembly	1
9	02000617	Transmission Mounting Bracket	1		HG-70109	Cap Vent Assembly	1

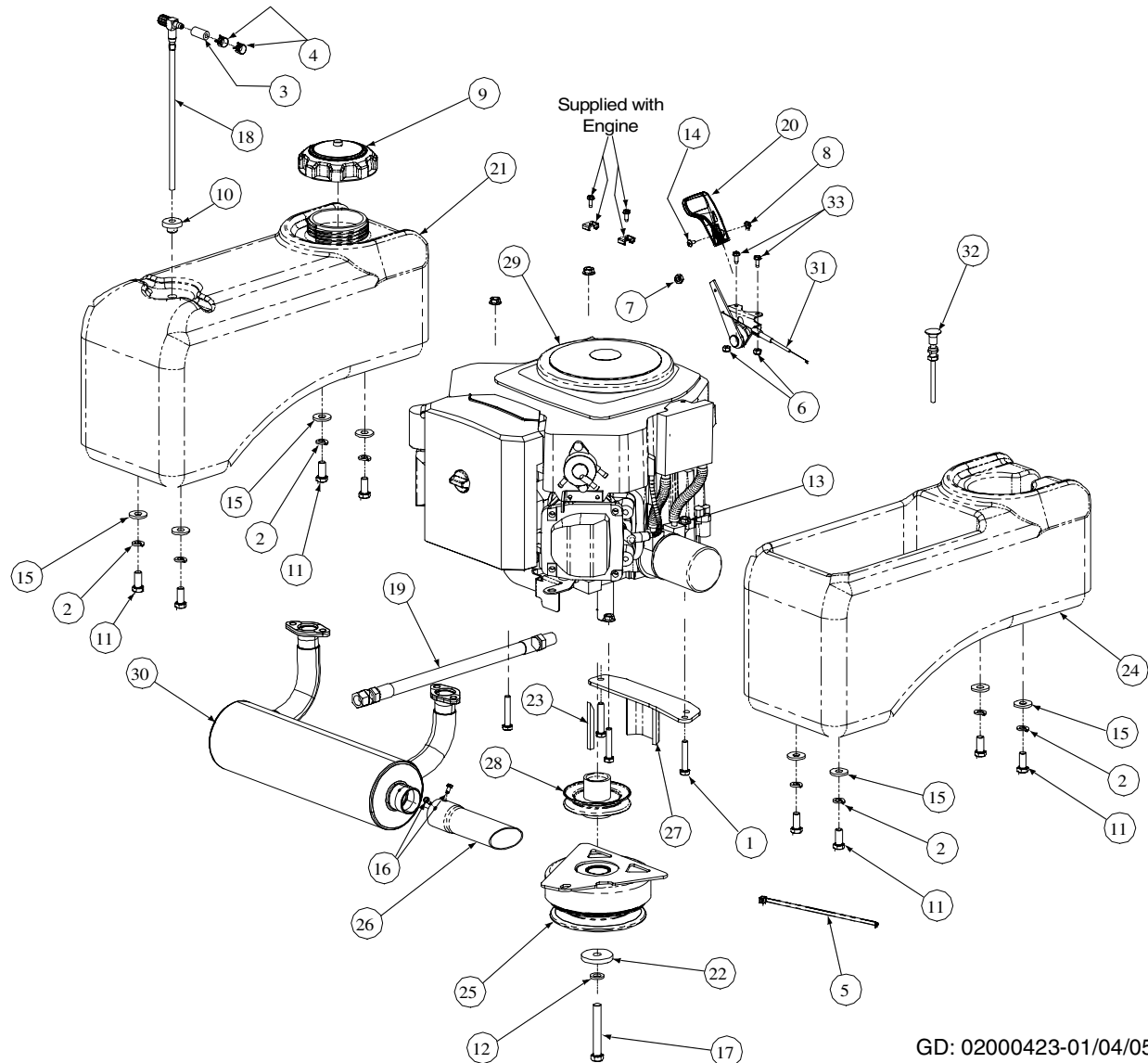
# 20HP Kohler Engine Assembly - Figure 9 and Parts List



GD: 02000455-11/17/04

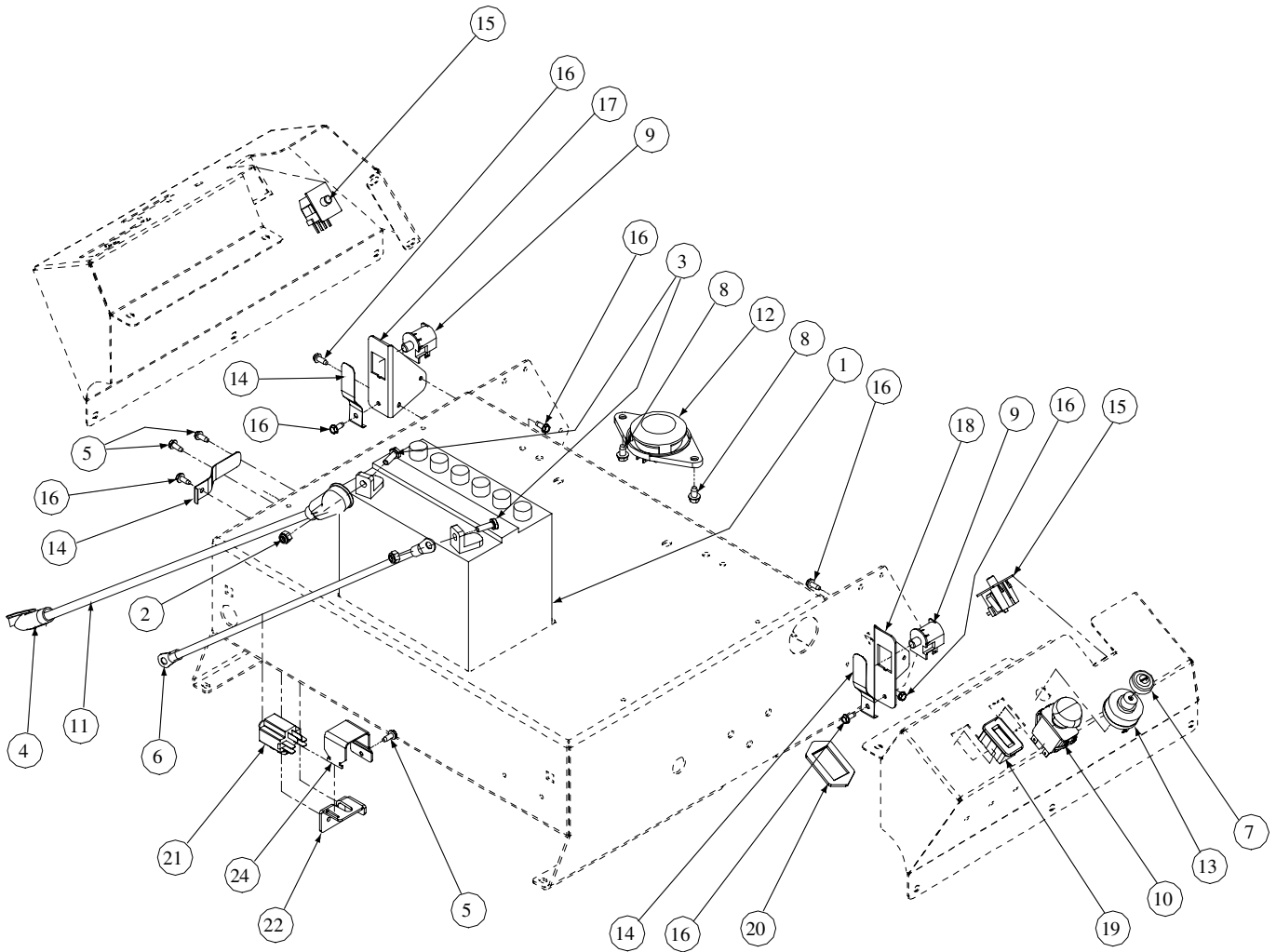
Ref No	Part No.	Description	Qty.	Ref No	Part No.	Description	Qty.
1	00006129	Hex Head Cap Screw, 5/16-18 x 1-3/4	4	17	01000813	Hex Cap Screw, 7/16-20 x 3.0	1
2	00012157	Lock Washer, 3/8 Zinc	8	18	02000478	Choke Cable	1
3	--	Hose, 1/4" Fuel Line	1	19	01003116	Fuel Pickup Fitting	1
4	00012235	Clamp, Union	2	20	01003283	Oil Drain Extension Hose	1
5	00012470	Cable Tie, 3/16 x .05 x 7.4	1	21	01004004	Throttle Control Knob	1
6	00014608	Lock Nut, Nylon Insert, 10-32	2	22	01004350	Fuel Tank	1
7	00023041	Starter Side Lock Nut 1/4-20	1	23	01005314	Flat Washer, 7/16 ID x 1.75 OD x .250	1
8	00060056	Nut, w/ Star Washer	1	24	01007533	Key, 1/4 x 1/4 x 2.75	1
9	01000069	Fuel Cap	1	25	01008138	Utility Bin	1
10	01000281	Fuel Tank Groment	1	26	01008434	Ogura DX11 Electric Clutch	1
11	01000368	Hex Cap Screw, 3/8-16 x .88	8	27	01008623	Exhaust Pipe	1
12	01000389	Lock Washer, 7/16	1	28	01008640	Clutch Retainer Assembly	1
13	01000635	Lock Nut, Hex Flange, 5/16-18	4	29	01008808	Electric PTO Engine Pulley	1
14	01000721	Machine Screw, 8-32 x .375	1	30	02000426	20HP Kohler Engine	1
15	01000723	Flat Washer, .406 ID x 1.0 OD x .105	8	31	02000456	Kohler Muffler	1
16	01000811	Screw, 8-32 x .375, Hex Washer	2	32	02000477	Throttle Control Cable	1

# 23HP Kohler Engine Assembly - Figure 10 and Parts List



Ref No	Part No.	Description	Qty.	Ref No	Part No.	Description	Qty.
1	00006129	Hex Head Cap Screw, 5/16-18 x 1-3/4	4	18	01003116	Fuel Pickup Fitting	1
2	00012157	Lock Washer, 3/8 Zinc	8	19	01003283	Oil Drain Extension Hose	1
3	--	Hose, 1/4" Fuel Line	1	20	01004004	Throttle Control Knob	1
4	00012235	Clamp, Union	2	21	01004350	Fuel Tank	1
5	00012470	Cable Tie, 3/16 x .05 x 7.4	1	22	01005314	Flat Washer, 7/16 ID x 1.75 OD x .250	1
6	00014608	Lock Nut, Nylon Insert, 10-32	2	23	01007533	Key, 1/4 x 1/4 x 2.75	1
7	00023041	Starter Side Lock Nut 1/4-20	1	24	01008138	Utility Bin	1
8	00060056	Nut, w/ Star Washer	1	25	01008434	Ogura DX11 Electric Clutch	1
9	01000069	Fuel Cap	1	26	01008623	Exhaust Pipe	1
10	01000281	Fuel Tank Groment	1	27	01008640	Clutch Retainer Assembly	1
11	01000368	Hex Cap Screw, 3/8-16 x .88	8	28	01008808	Electric PTO Engine Pulley	1
12	01000389	Lock Washer, 7/16	1	29	02000427	23HP Kohler Engine	1
13	01000635	Lock Nut, Hex Flange, 5/16-18	4	30	02000456	Kohler Muffler	1
14	01000721	Machine Screw, 8-32 x .375	1	31	02000477	Throttle Control Cable	1
15	00083192	Idler Washer	8	32	02000478	Choke Cable	1
16	01000811	Screw, 8-32 x .375, Hex Washer	2	33	01008531	Screw, #10-32 x 0.500	2
17	01000813	Hex Cap Screw, 7/16-20 x 3.0	1				

# Electrical Assembly - Figure 11 and Parts List

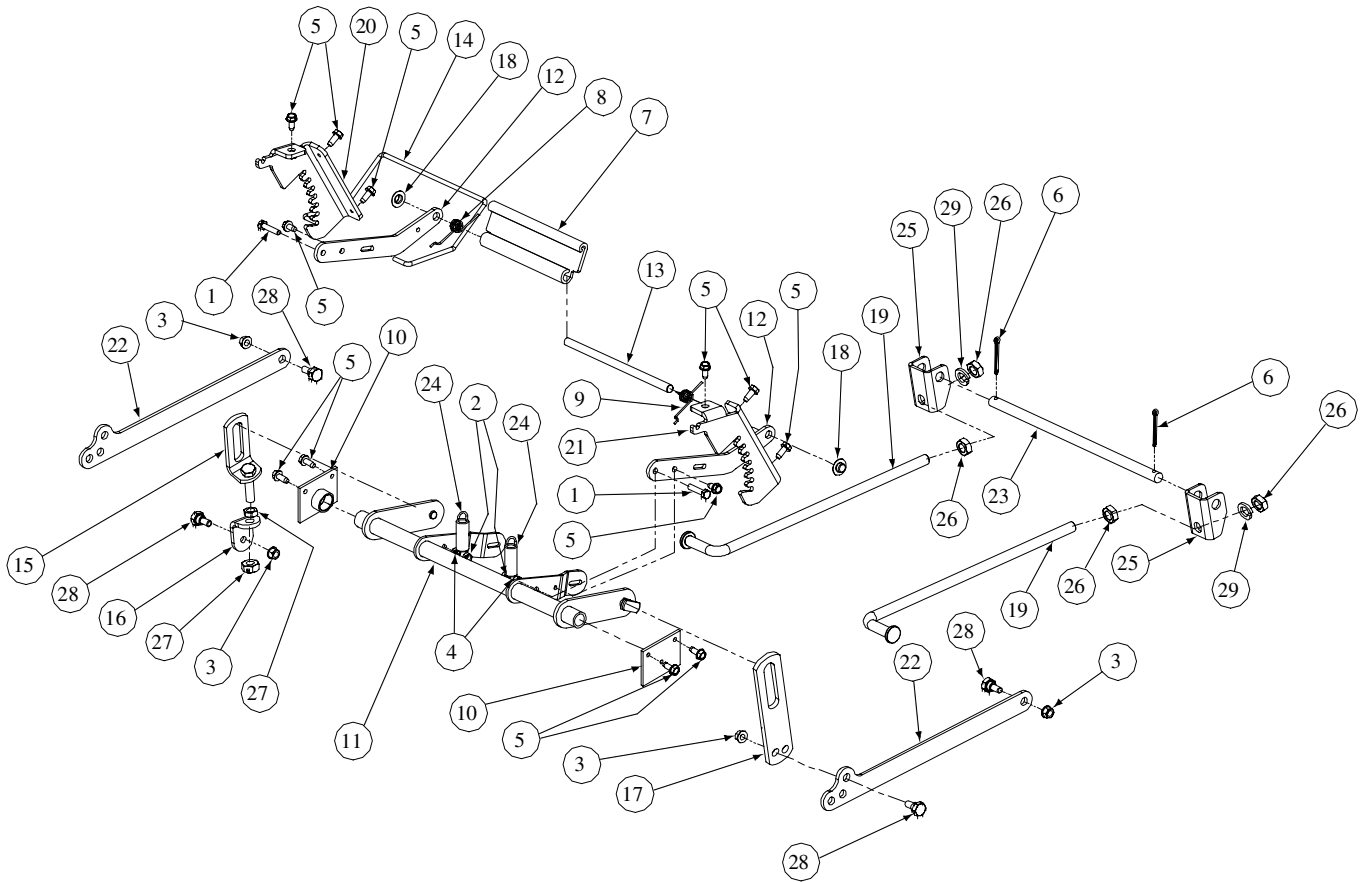


GD: 02000460-11/16/04

Ref. No.	Part No.	Description	Qty.	Ref. No.	Part No.	Description	Qty.
1	00012032	Battery, 12V 225CCA 30Min	1	13	01003581	Switch, Ignition, 6 Pin	1
2	00012152	Lock Nut, Nylon Insert, 1/4-20	2	14	01008042	Safety Switch Retainer Spring	3
3	00013131	Hex Cap Screw, 1/4-20 x .75	2	15	01008386	Neutral Switch	2
4	00013258	Boot, 1" OD Rubber Battery-PST Red	2	16	01008531	Self Tapping Screw, 10-32 x 1/2	7
5	01010129	Self Tapping Screw, 1/4-20 x .75	3	17	01008614	Bracket, Safety Switch, Left Hand	1
6	00024233	Cable, Battery, Black, 17"	1	18	01008615	Bracket, Safety Switch, Right Hand	1
7	00032097	Nut, 5/8-32, w/Cap	1	19	01007597	Hour Meter	1
8	01000628	Self Tapping Screw, 1/4-20 x 1/2	2	20	01009905	PTO Switch Bracket	1
9	01001717	Normally Closed Safety Switch	2	21	02000165	Switch, Plunger	1
10	01002111	Electric PTO Switch	1	22	02000368	Control Housing Assembly	1
11	01002252	Cable, Battery, Red, 24"	1	23	02000555	Harness Assembly (not shown)	1
12	01003277	Normally Closed Seat Switch	1	24	02000488	Switch, Clamp	1



# Lift Assembly - Figure 12 and Parts List



GD: 01008109-12/13/04

Ref. No.	Part No.	Description	Qty.	Ref. No.	Part No.	Description	Qty.
1	00012382	Hex Cap Screw, 5/16-18 x 1-1/2	2	16	01008183	Lower Lift Bracket, Left Hand	1
2	00022547	Nut, 5/16-18, Center Lock	2	17	02000836	Link Lift PLate, Right Hand	1
3	00022560	Nut, 3/8-16, Hex Flange Lock	3	18	01008187	Cap Lift Push Nut	2
4	00012166	Hex Nut, 5/16-18	2	19	01008382	Front Lift Rod	2
5	01008620	Self Tapping Screw, 5/16-18 x 3/4	12	20	01008188	Lift Index Weldment, Left Hand	1
6	00060018	Cotter Pin, 3/16 x 1-1	2	21	01008189	Lift Index Weldment, Right Hand	1
7	01008139	Deck Lift Handle	1	22	01008465	Rear Lift Arm	2
8	01008140	Deck Lift Spring, Left Hand	1	23	01008557	Front Lift Rod	1
9	01008141	Deck Lift Spring, Right Hand	1	24	01008573	Lift Spring	2
10	01008477	Lift Hub Assembly	2	25	01008638	Front Lift Bracket	2
11	01008459	Lift Shaft Assembly	1	26	00035632	Jam Nut, 5/8-11	4
12	01008494	Handle Lift Arm	2	27	01008658	Jam Nut, 1/2-20	2
13	01008175	Lift Handle Rod	1	28	02000393	Shoulder Screw, 3/8-16, .56 x .27	4
14	01008176	Lift Rod Index	1	29	02000671	Lock Washer, 5/8	2
15	02000833	Upper Link Lift Assembly, Left Hand	1				

# Decal Map

(QTY 2) 777122094

777122290

777122291

777122093

777D08541

777D08542

Centered on the rear fender.

**Cub Cadet**

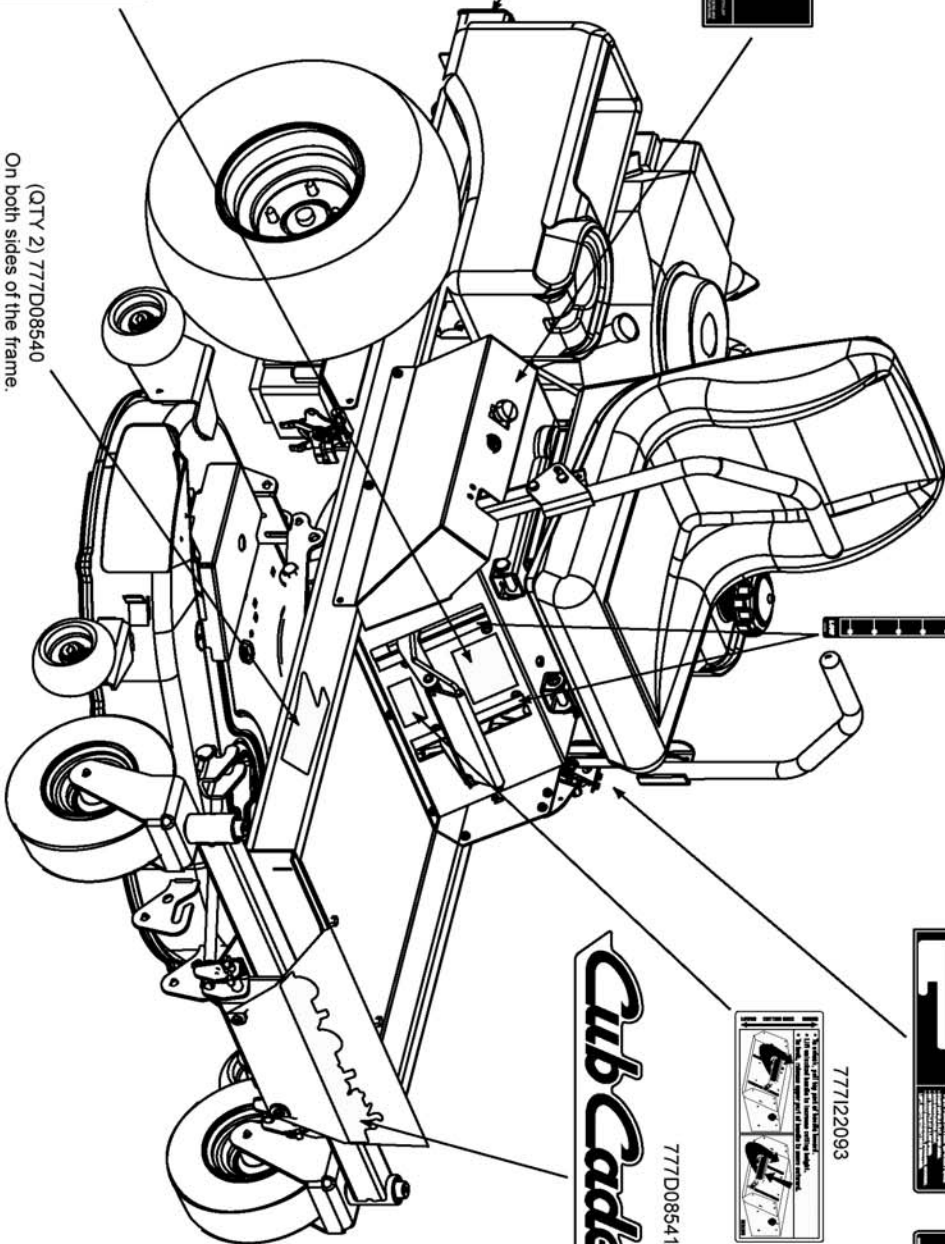
00090006

Add to the left of the rear Bumper "Cub Cadet" Decal.

777S32161



(QTY 2) 777D08540  
On both sides of the frame.



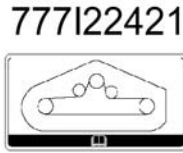
# Decal Map

(QTY 2) 777D07756

(QTY 2) 777S32328  
UNDER EACH BELT GUARD



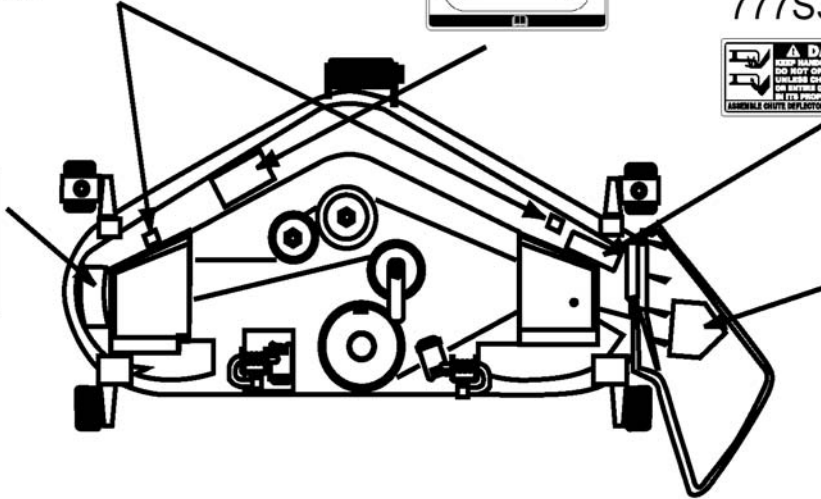
**44**  
INCH CUT



777S30503



777S30018



777S30145



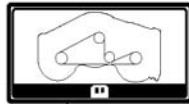
777I22444

(QTY 2) 777D07885

(QTY 2) 777S32328  
UNDER EACH BELT GUARD



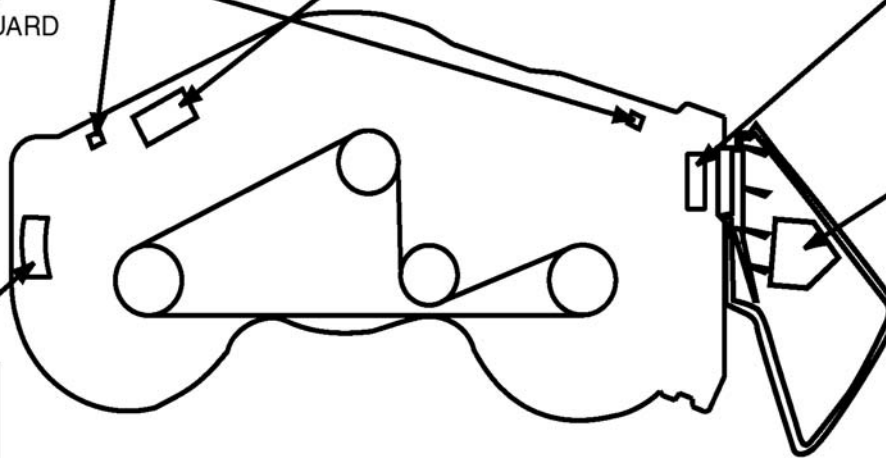
**50**  
INCH CUT



777S30503



777S30015



777S30145



*Cub Cadet* 

Cub Cadet LLC  
P.O. Box 361131  
Cleveland, OH 44136