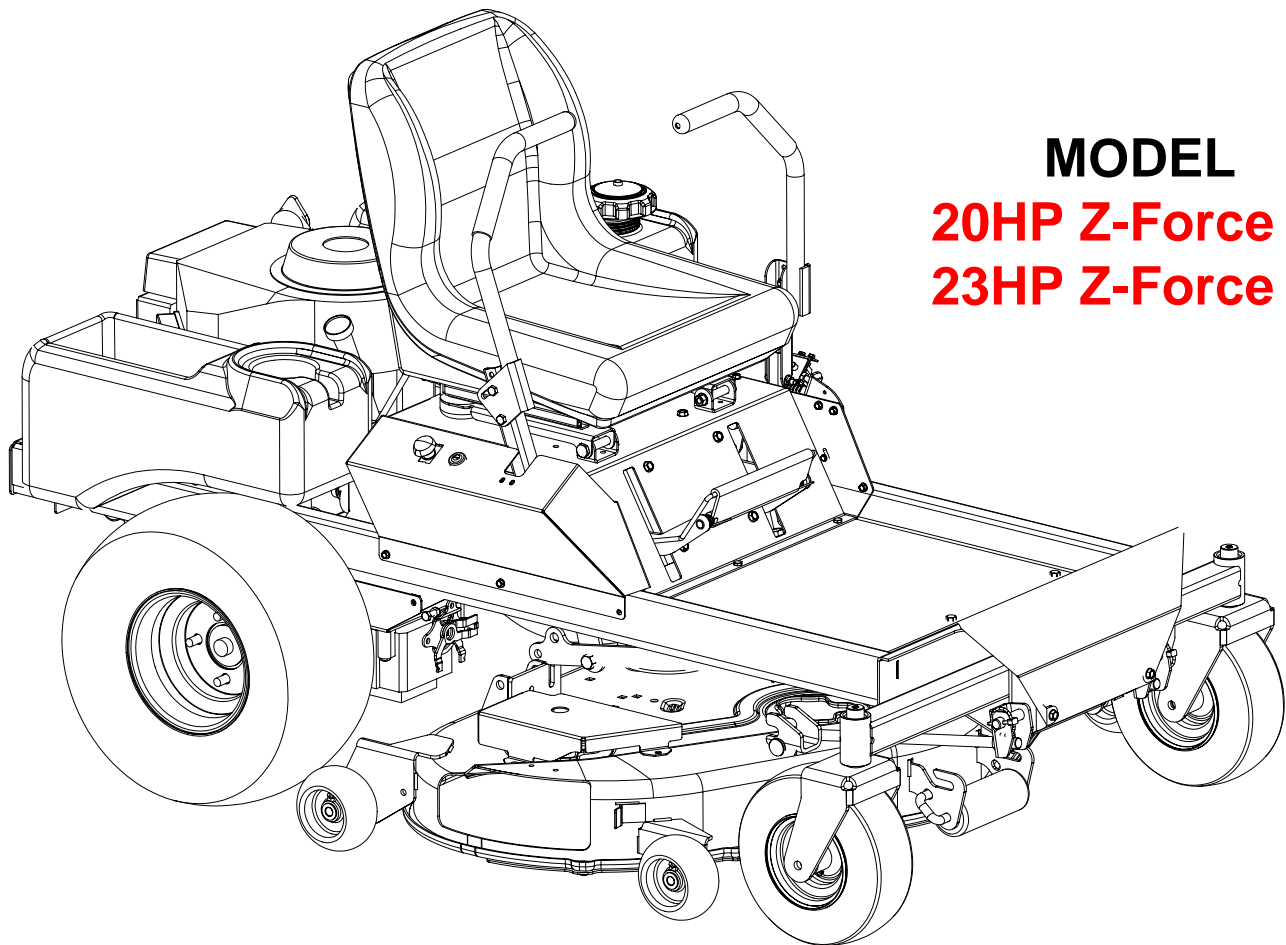




# Hydrostatic Zero-Turn Residential Riding Mower

*Turf Equipment*



**MODEL**  
**20HP Z-Force 44**  
**23HP Z-Force 50**

## ILLUSTRATED PARTS LIST

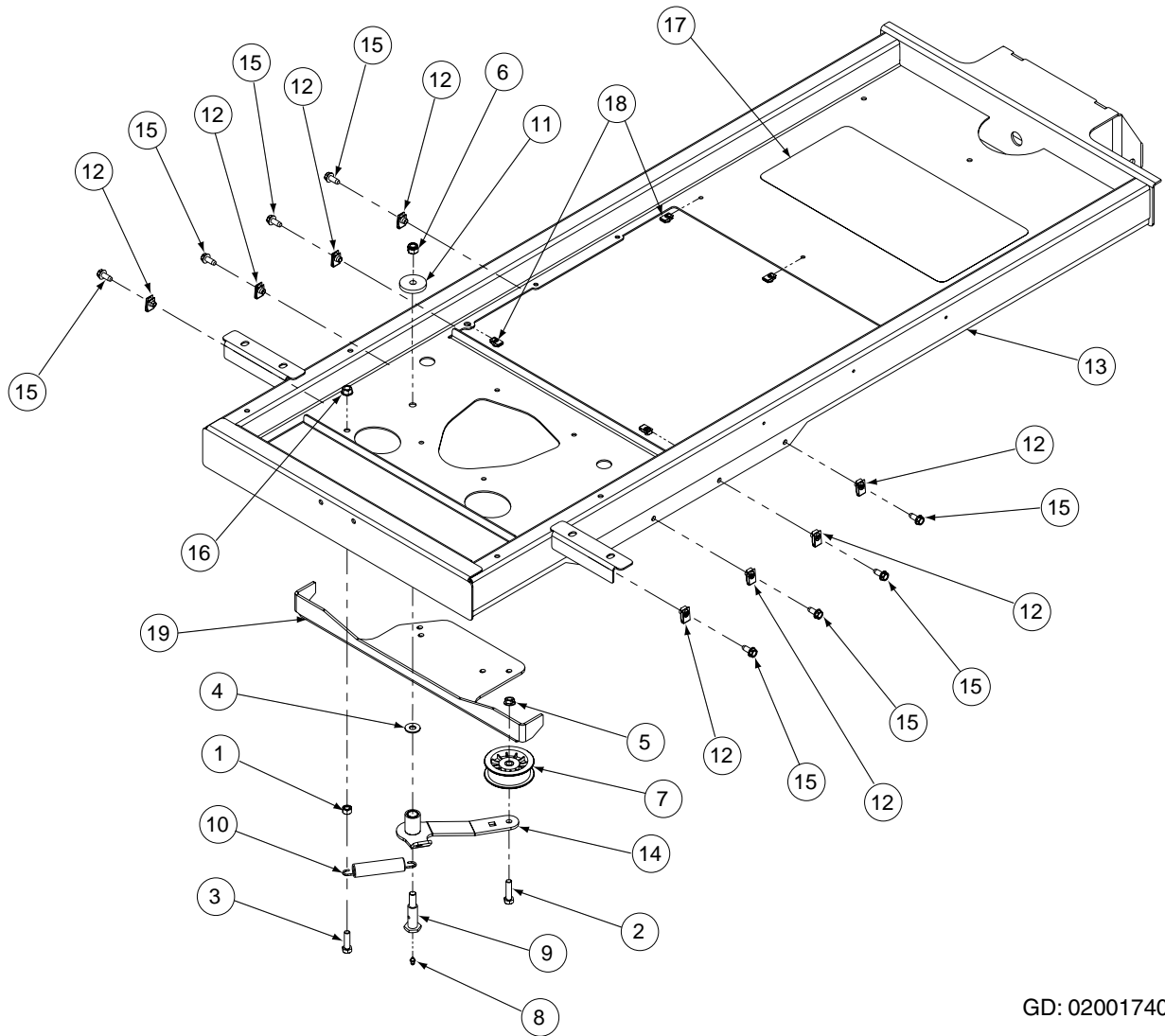
---

# TABLE OF CONTENTS

---

Frame Assembly . . . . .	3
44" Formed Cutter Deck . . . . .	4 and 5
50" Formed Cutter Deck . . . . .	6 and 7
Control Assembly . . . . .	8 and 9
44" Front Caster & Tire Assembly . . . . .	10
50" Front Caster & Tire Assembly . . . . .	11
Steering Assembly . . . . .	12
Drivetrain Assembly . . . . .	13
20 HP Kohler Engine Assembly . . . . .	14
23 HP Kohler Engine Assembly . . . . .	15
Electrical Assembly . . . . .	16
Lift Assembly . . . . .	17
Decal Map . . . . .	18 and 19

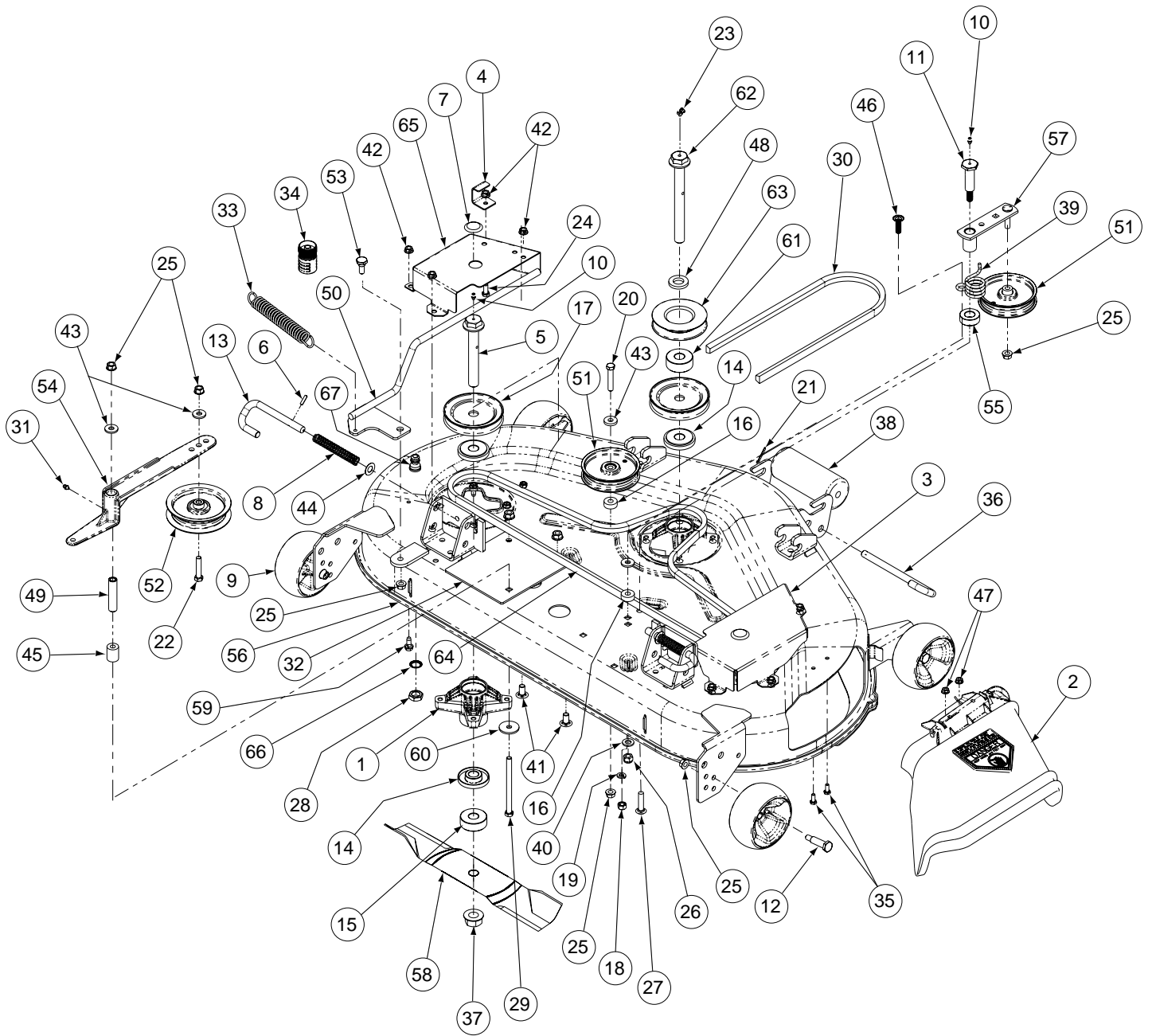
# Frame Assembly- Figure 1 and Parts List



GD: 02001740-10/10/05

Ref. No.	Part No.	Description	Qty.
1	00012166	Hex Nut, 5/16-18	1
2	00011438	Hex Cap Screw, 3/8-16 x 1-1/2	1
3	00013116	Hex Cap Screw, 5/16-18 x 1-1/4	1
4	00006168	Flat Washer, 3/8 zinc	1
5	00022560	Hex Nut, 3/8-16 Flange Lock	1
6	00027279	Nylock Nut, 7/16-14	1
7	00030782	Flat Idler Pulley w/ adaptor	1
8	00060078	Grease Fitting, 1/4-28 x 3/16	1
9	01000505	Shoulder Bolt	1
10	01002874	Extension Spring, .865 OD x 4.68 lg	1
11	01003269	Flat Washer, 7/16 ID x 1.75 OD	1
12	01003563	U-Nut, 5/16-18	8
13	02000615	Frame Assembly Weldment	1
14	01008399	Idler Arm Assembly	1
15	01008764	Hex Washer Screw 5/16-18 x .750	8
16	01000635	Nut, 5/16-18, Hexflange Lock	1
17	01006528	Abrasive Foot Pad	1
18	01008539	U-Nut, 1/4-20	5
19	02001482	Engine Plate Stiffener	1

# 44" Formed Cutter Deck - Figure 2

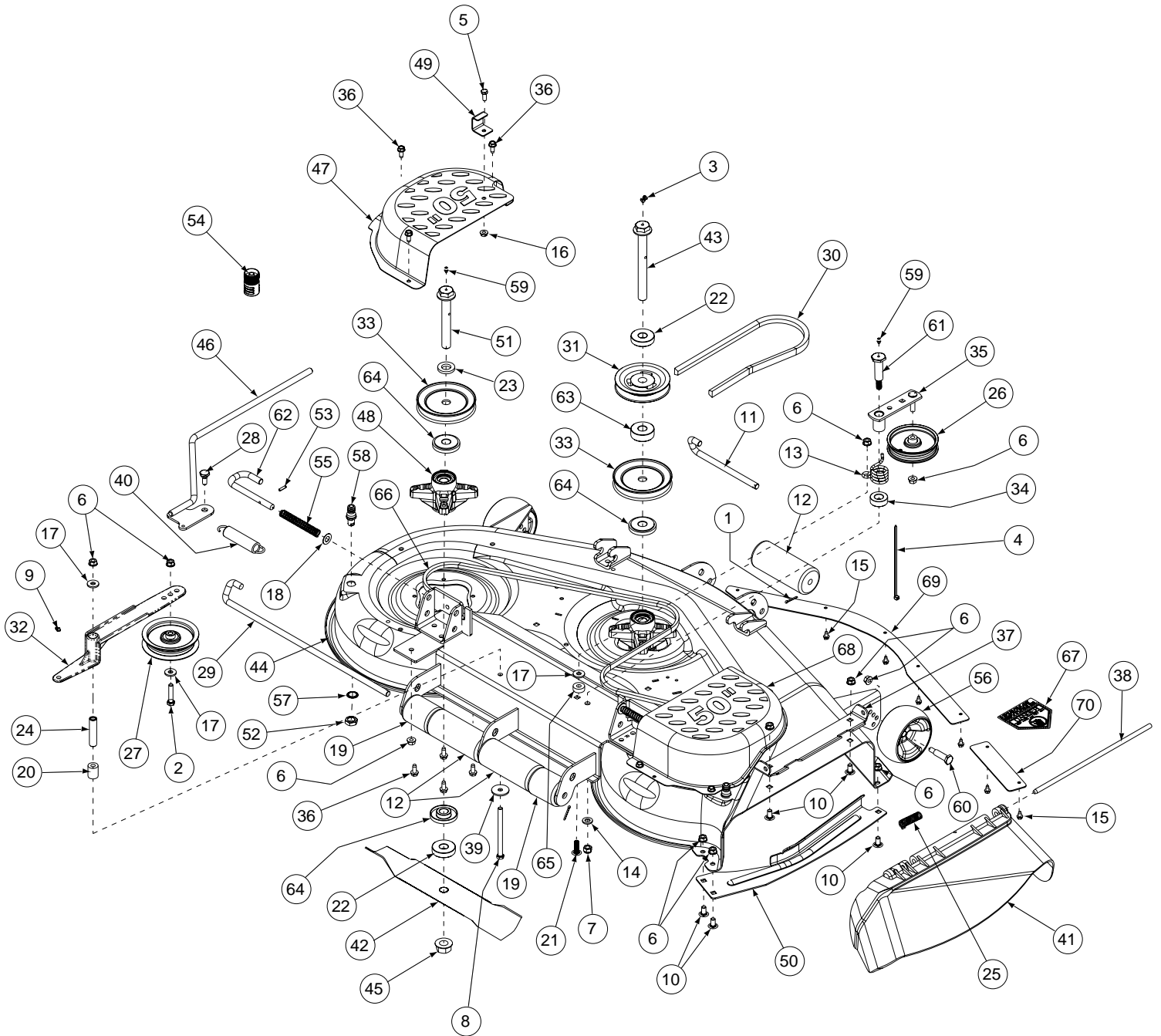


GD: 01010198-10/13/05

## 44" Formed Cutter Deck - Parts List for Figure 2

Ref. No.	Part No.	Description	Qty.	Ref. No.	Part No.	Description	Qty.
1	618-04394	Spindle Assembly	3	35	01000338	Hex Cap Screw 1/4-20 x .620	2
2	631-0094A	Chute Assembly	1	36	01000375	Roller Pin 1/2 x 7.31	1
3	01008587	Belt Cover Right Hand	1	37	02000402	Nut, 3/4-16, Hex Flange	3
4	01004109	Tension Rod Stop Bracket	1	38	01000385	Front Roller	1
5	02000819	Spindle Bolt 3/4-16 x 5.37	2	39	01000387	Idler Spring	1
6	715-3003	Pin	2	40	01000393	Flat Washer, .469 ID x .875 OD x .105	1
7	726-3045	Button Plug	2	41	01000372	Carriage Bolt, 3/8-16 x .75	2
8	732-0802	Compression Spring .63 OD x 6.3	2	42	01000635	Lock Nut 5/16-18 Hex Flange	7
9	734-04155	Deck Wheel, 5.00 Dia.	4	43	01000723	Flat Washer, .406 ID x 1.0 OD x .105	4
10	737-3000	Grease Fitting	3	44	01000930	Flat Washer .508 ID x 1.0 OD	2
11	738-3172	Shoulder Screw .68 x 2.11	1	45	01001539	Spacer, .39 ID x .875 OD x 1.100	1
12	738-3056	Shoulder Screw .498 x 1.53	4	46	01002010	Carriage Screw, 3/8-16 x 1.25	1
13	747-3013	Support Pin	2	47	01002766	Nut, 1/4-20, hexflange Lock	2
14	748-3065A	Spindle Spacer	6	48	01003123	Spacer .812 ID x .218	1
15	748-3020	Blade Spacer	3	49	01003245	Spacer, .39 ID x .625 OD x 2.75	1
16	750-3119	Spacer .406 ID x 1.0 OD	2	50	01004865	Deck Handle Weldment	1
17	756-3089	Pulley	3	51	01004081	Flat Pulley	2
18	00006131	Hex Nut 3/8-16	1	52	01004101	Idler Pulley, 4.06 OD	1
19	00012157	Lock Washer, 3/8	1	53	01004118	Shoulder Screw, .50 x .27 Lg., 3/8-16	1
20	00002528	Hex Cap Screw 3/8-16 x 2.00	1	54	02001855	Idler Arm Assembly, Top	1
21	00003107	Cotter Pin .125 Dia x 1.0	1	55	01008456	Spacer .760 ID x 1.5 OD	1
22	00008495	Capscrew, 3/8-16 x 1-3/4	1	56	02000619	Deck Assembly 44"	1
23	00012226	Grease Fitting, 1/4-28, 90 degree	1	57	01008593	Idler Arm Assembly	1
24	00013406	Hex Cap Screw 5/16-18 x .75	1	58	01008616	Blade	3
25	00022560	Hex Nut, 3/8-16, Flange Lock	11	59	01008620	Self Tapping Screw 5/16-18 x .750	18
26	00027279	Nut 7/16-14, Nylock	1	60	01009253	Washer, 5/16-18	1
27	00030276	Carriage Bolt 3/8-16 x 1.50	1	61	01010014	Spacer .760 ID x 2.00 OD x 0.790	1
28	712-0641	Hex Nut, M16-1.5	2	62	02000071	Spindle Bolt 3/4-16 x 7.155	1
29	00034167	Hex Cap Screw 3/8-16 x 5.00	1	63	02000079	V-Pulley 4.25 OD Casting	1
30	00050441	V-Belt, B-Section	1	64	02000103	V-Belt, A-Section	1
31	00060078	Grease Fitting, 1/4-28 x 3/16	1	65	02000108	Belt Cover Left Hand	1
32	02000636	Deck Plate	1	66	736-0760	Lock Washer, 17 x 23.8 x 1.95	2
33	01000199	Extension Spring, 1.0 OD x 5.00	1	67	737-04003B	Deck Water Nozzle	2
34	721-04041	Water Nozzle Adaptor	1				

# 50" Formed Cutter Deck - Figure 3

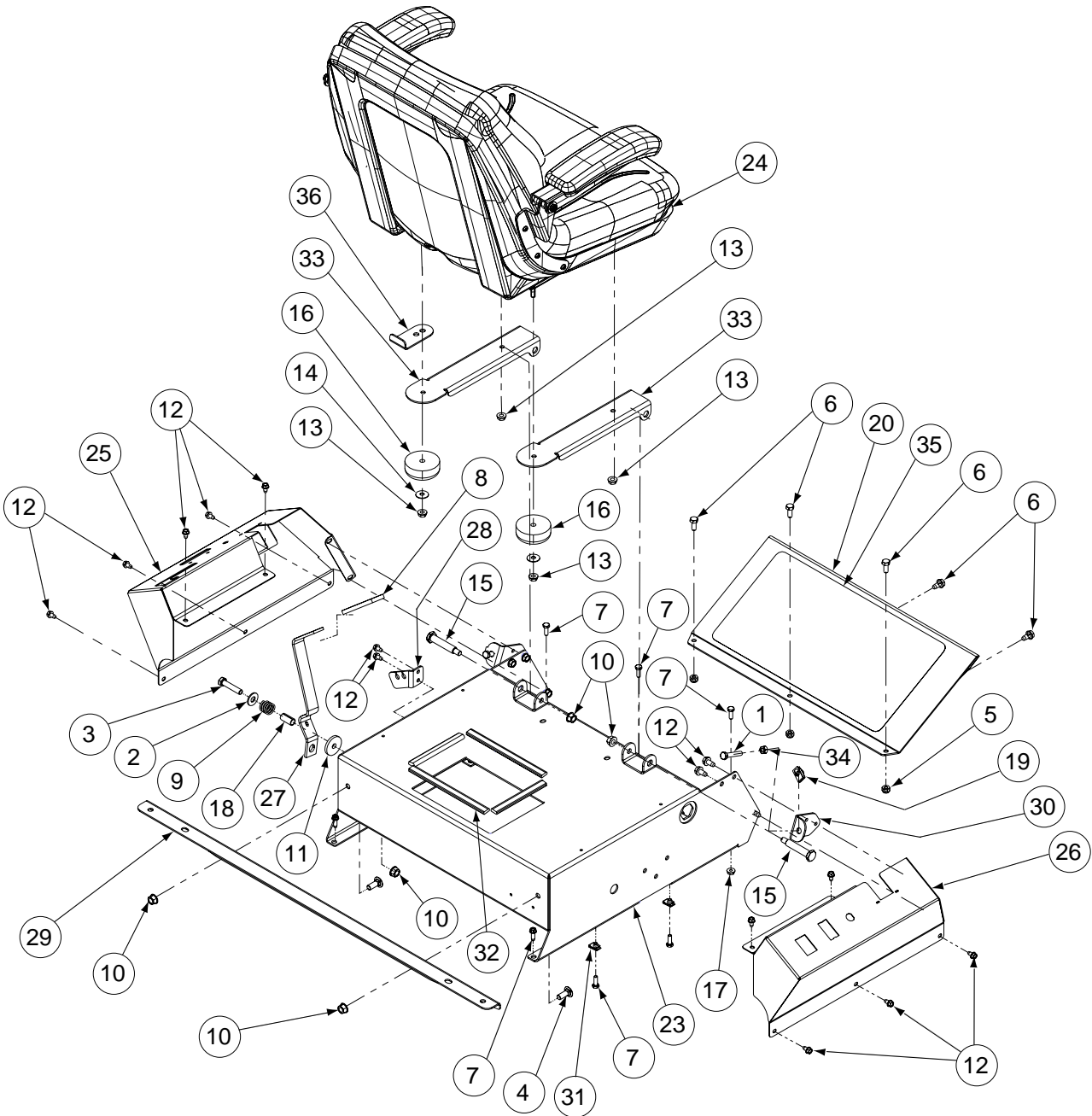


GD: 02000419-10/13/05

## 50" Formed Cutter Deck - Parts List for Figure 3

Ref. No.	Part No.	Description	Qty.	Ref. No.	Part No.	Description	Qty.
1	00003107	Cotter Pin, .125 Dia. x 1.0	2	36	01008620	Self Tapping Screw 5/16-18 x .750	18
2	00008495	Capscrew, 3/8-16 x 1-3/4	1	37	783-04470	Chute Mounting Bracket	1
3	00012226	Grease Fitting, 1/4-28, 90 degree	1	38	01009102	Hinge Pin, .375 x 14.06	1
4	00012470	Cable Tie, 3/16 x .05 x 7.4	1	39	01009253	Flat Washer, .390 x 1.5 x .134	1
5	00013406	Hex Cap Screw 5/16-18 x .75	1	40	01009635	Extension Spring, .98 OD x 5.00	1
6	00022560	Hex Nut, 3/8-16, Flange Lock	12	41	01009705	Chute Deflector	1
7	00027279	Nylock Nut, 7/16-14	1	42	01010168	Hi-Lift Blade, 17.9	3
8	00034167	Hex Cap Screw 3/8-16 x 5.00	1	43	02000071	Spindle Bolt 3/4-16 x 7.155	1
9	00060078	Grease Fitting, 1/4-28 x 3/16	1	44	02000428	Deck Assembly 50"	1
10	01000372	Carriage Bolt 3/8-16 x .75	5	45	02000402	Flange Hex Nut, 3/4-16	3
11	01000375	Roller Pin 1/2 x 7.31	1	46	02000416	Spring Tension Rod Assembly	1
12	01000385	Front Roller	3	47	02000465	Left Hand Belt Cover	1
13	01000387	Idler Spring	1	48	618-04394	Blade Spindle Assembly	3
14	01000393	Flat Washer, .469 ID x .875 OD x .105	1	49	01004109	Tension Rod Stop Bracket	1
15	01000628	Screw, 1/4-20 x 1/2	7	50	02000831	Finger Guard	1
16	01000635	Hex Nut, 5/16-18 Flange Lock	1	51	02000819	Spindle Bolt 3/4-16 x 5.37	2
17	01000723	Flat Washer, .406 ID x 1.0 OD x .105	3	52	712-0641	Hex Nut, M16-1.5	2
18	01000930	Washer, .508 ID x 1.0 OD x .020	2	53	715-3003	Pin	2
19	01001169	Grass Catcher Roller	2	54	721-04041	Adaptor, Water Nozzle	1
20	01001539	Spacer, .39 ID x .875 OD x 1.100	1	55	732-0802	Compression Spring .63 OD x 6.3	2
21	01002010	Carriage Screw, 3/8-16 x 1.25	1	56	734-04155	Deck Wheel, 5.00 Dia.	2
22	01002564	Spacer, .76 ID x 2.00 OD x .477	4	57	736-0760	Lock Washer, 17 x 23.8 x 1.9	2
23	01003123	Spacer .812 ID x .218	2	58	737-04003B	Nozzle, Deck Water	2
24	01003245	Spacer, .39 ID x .625 OD x 2.75	1	59	737-3000	Grease Fitting	3
25	01003253	Torsion Spring	1	60	738-3056	Shoulder Screw .498 x 1.53	2
26	01004081	Flat Pulley	1	61	738-3172	Shoulder Screw .68 x 2.11	1
27	01004101	Idler Pulley, 4.06 OD	1	62	747-3013	Support Pin	2
28	01004118	Shoulder Screw, .50 x .27 Lg., 3/8-16	1	63	748-3020	Blade Spacer	1
29	01004751	Rod, Rear Roller	1	64	748-3065A	Spindle Spacer	6
30	01005011	V-Belt, Mower Drive	1	65	750-3119	Spacer .406 ID x 1.00 OD x 0.38	2
31	01005202	V-Pulley, 4.75 OD	1	66	02000653	V-Belt, 1/2 x 90.9 LG	1
32	02001855	Idler Arm Assembly, Top	1	67	777S30145	Decal, Danger Hands & Feet	1
33	01006535	V-Pulley, 5.0 OD	3	68	02000467	Right Hand Belt Cover	1
34	01008456	Spacer .760 ID x 1.5 OD	1	69	02000430	Skirt, Center, 50"	1
35	01008593	Idler Arm Assembly	1	70	02000429	Skirt, Right Hand, 50"	1

# Control Assembly - Figure 4



GD: 02001839-11/09/05

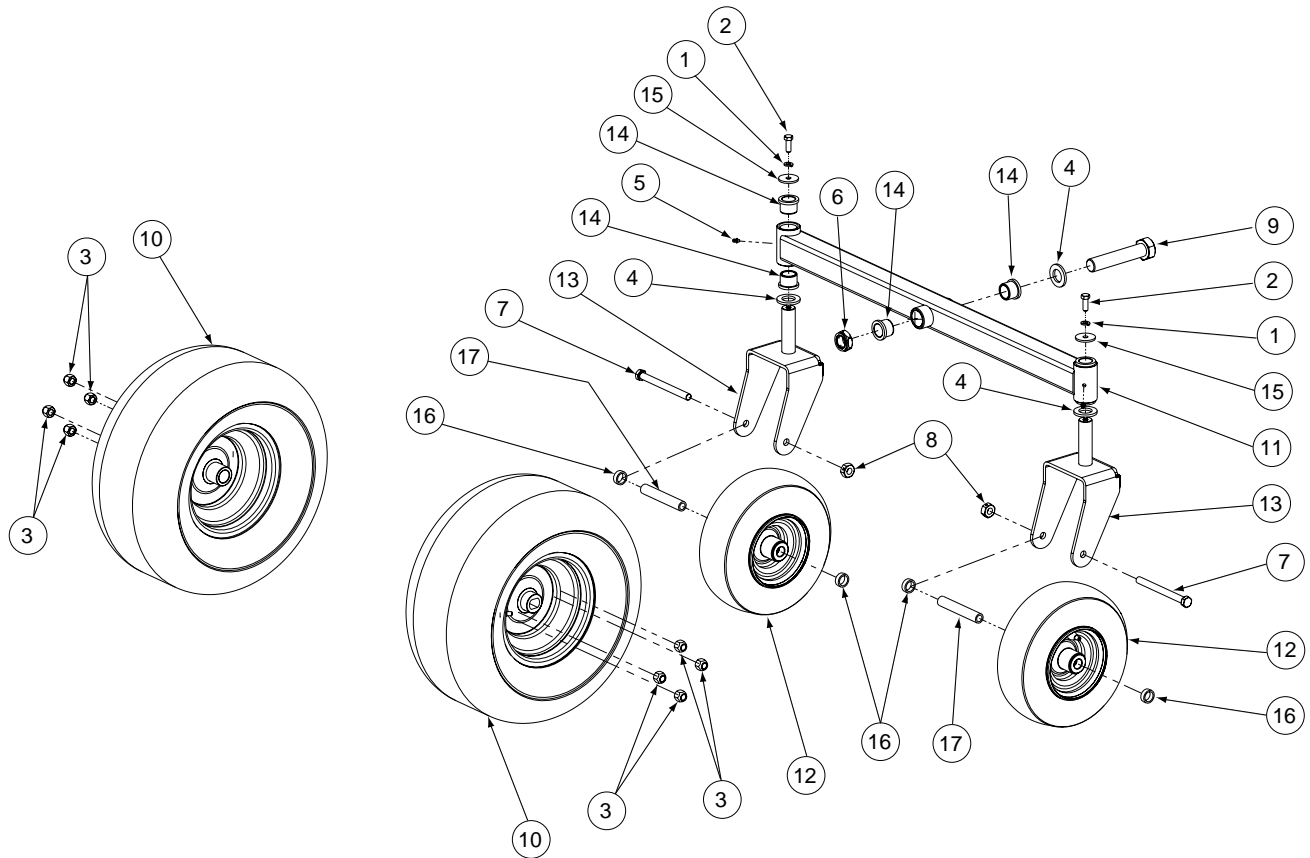


## Control Assembly - Parts List for Figure 4

---

Ref. No.	Part No.	Description	Qty.
1	00012382	Hex Cap Screw, 5/16-18 x 1-1/2	2
2	00083192	Idler Washer	1
3	00008495	Capscrew, 3/8-16 x 1-3/4	1
4	01000372	Carriage Bolt, 3/8-16	2
5	00012165	Nylock Nut, 5/16-18	3
6	01008620	Self Tapping Screw, 5/16-18 x 3/4	5
7	01000629	Self Tapping Screw, 1/4-20 x .75	9
8	00013595	Parking Brake Grip	1
9	00021797	Spring, .85 OD x 1 Lg	1
10	00022560	Hex Nut, 3/8-16 Flange Lock	5
11	00070022	Flat Washer, 1.25 x .411 x .100	1
12	01000628	Screw, 1/4-20 x 1/2	18
13	01000635	Hex Nut, 5/16-18 Flange Lock	4
14	01000960	Washer, .325 x .930 x .045	2
15	01002634	Shoulder Screw, 3/8-16, .5 x 2.345	2
16	01002753	Groment, 2.5 OD x 1.0 Lg	2
17	01002766	Hex Nut, 1/4-20 Flange Lock	3
18	01002772	Spacer, .375 x .50 x 1.02	1
19	01003563	U-Nut, 5/16-18	2
20	02000614	Foot Rest Bracket	1
21	01008198	Left Hand Brake Cable (not shown)	1
22	01008199	Right Hand Brake Cable (not shown)	1
23	01008482	Control Housing Weldment	1
24	02001942	Seat	1
25	02001307	Left Hand Control Console	1
26	02001308	Right Hand Control Console	1
27	02000630	Parking Brake Lever	1
28	01008488	Brake Cable Bracket	1
29	01008491	Front Tank Mounting Bracket	1
30	01008528	Lapbar Stop Bracket	2
31	01008539	U-Nut, 1/4-20	4
32	01008572	Battery Edge Trim	4
33	01008583	Seat Mounting Bracket	2
34	00012166	Hex Nut, 5/16-18	2
35	01006528	Abrasive Foot Pad	1
36	02001954	Seat Stop Bracket	1

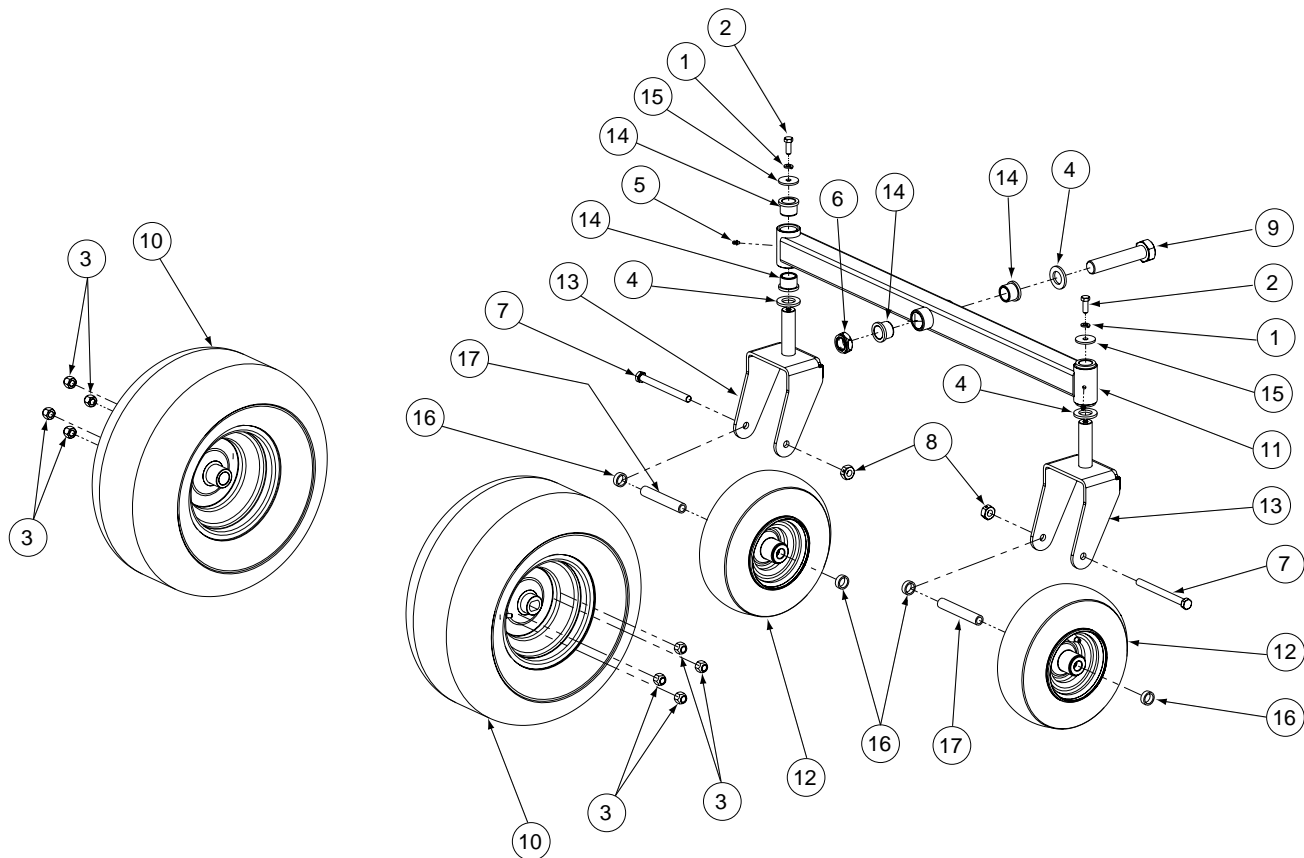
# 44" Front Caster & Tire Assembly - Figure 5 and Parts List



GD: 01008107-10/01/04

Ref. No.	Part No.	Description	Qty.
1	00012157	Lock Washer, 3/8 Zinc	2
2	01000368	Hex Cap Screw, 3/8-16 x .88	2
3	00012187	Lug Nut, 1/2-20	8
4	00023822	Washer Special	3
5	00060078	Grease Fitting, 1/4-28 x 3/16	2
6	01000678	Nut Jam, 1.0-14, Nylon Insert	1
7	01000745	Hex Cap Screw, 1/2-20 x 5.50	2
8	00023287	Nut, 1/2-20, Center Lock	2
9	01006309	Hex Cap Screw, 1-14 x 5.0	1
10	01008320	Wheel Assembly, 18 x 8.5	2
11	02000616	Front Axle Assembly	1
12	634-3163	Front Wheel Assembly	2
13	02000613	Castor Wheel Mounting Bracket	2
14	731-0374	Flange Bearing, 1.0 ID	6
15	01009253	Flat Washer, .390 x 1.5 x .134	2
16	00023649	Spacer, .790 ID x .347 Lg	4
17	750-3197A	Wheel Spacer	2

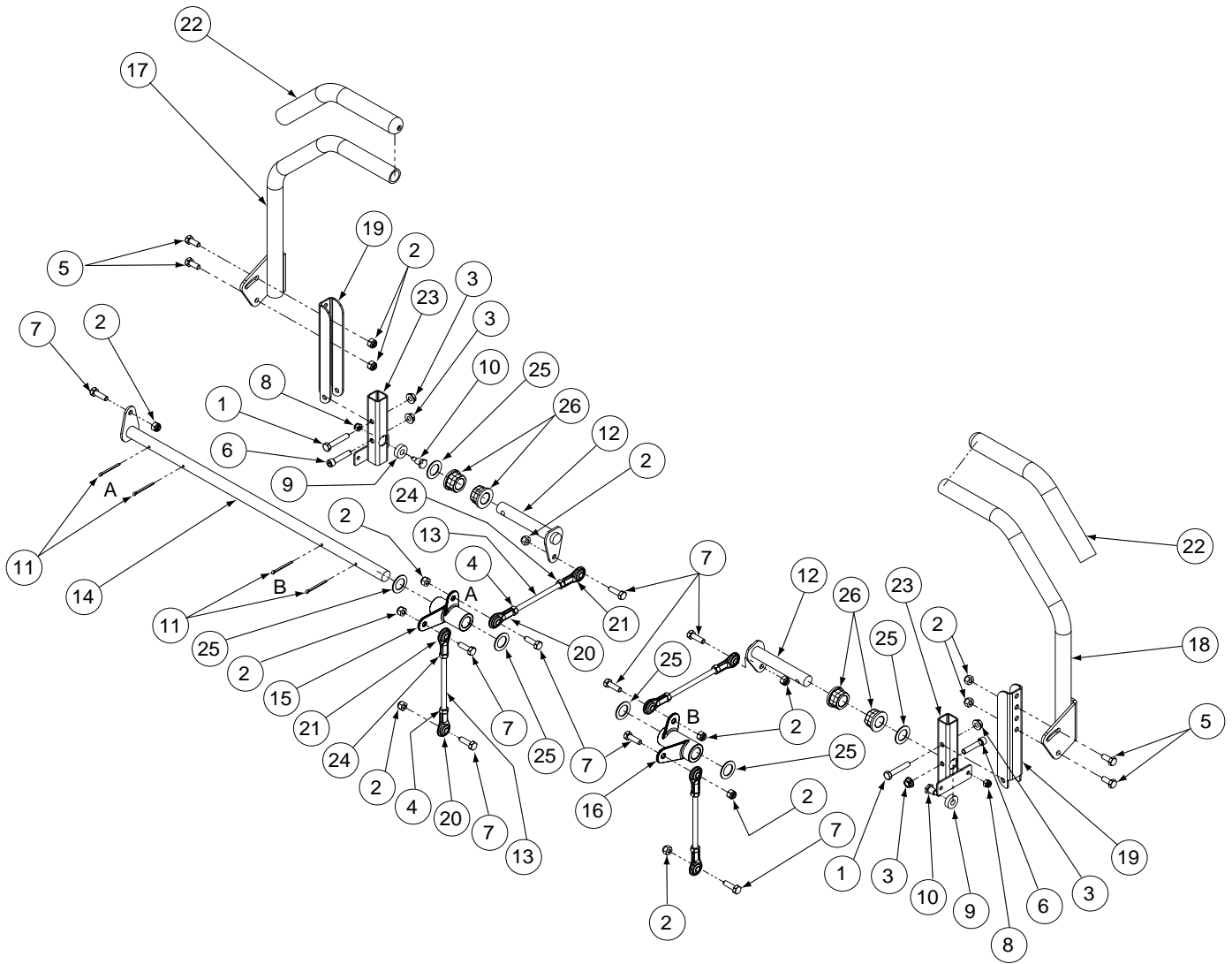
# 50" Front Caster & Tire Assembly - Figure 6 and Parts List



GD: 01009776-10/01/04

Ref. No.	Part No.	Description	Qty.
1	00012157	Lock Washer, 3/8 Zinc	2
2	01000368	Hex Cap Screw, 3/8-16 x .88	2
3	00012187	Lug Nut, 1/2-20	8
4	00023822	Washer Special	3
5	00060078	Grease Fitting, 1/4-28 x 3/16	2
6	01000678	Nut Jam, 1.0-14, Nylon Insert	1
7	01000745	Hex Cap Screw, 1/2-20 x 5.50	2
8	00023287	Nut, 1/2-20, Center Lock	2
9	01006309	Hex Cap Screw, 1-14 x 5.0	1
10	01009828	Wheel Assembly, 18 x 9.5	2
11	02000616	Front Axle Assembly	1
12	634-3163	Front Wheel Assembly	2
13	02000613	Castor Wheel Mounting Bracket	2
14	731-0374	Flange Bearing, 1.0 ID	6
15	01009253	Flat Washer, .390 x 1.5 x .134	2
16	00023649	Spacer, .790 ID x .347 Lg	4
17	750-3197A	Wheel Spacer	2

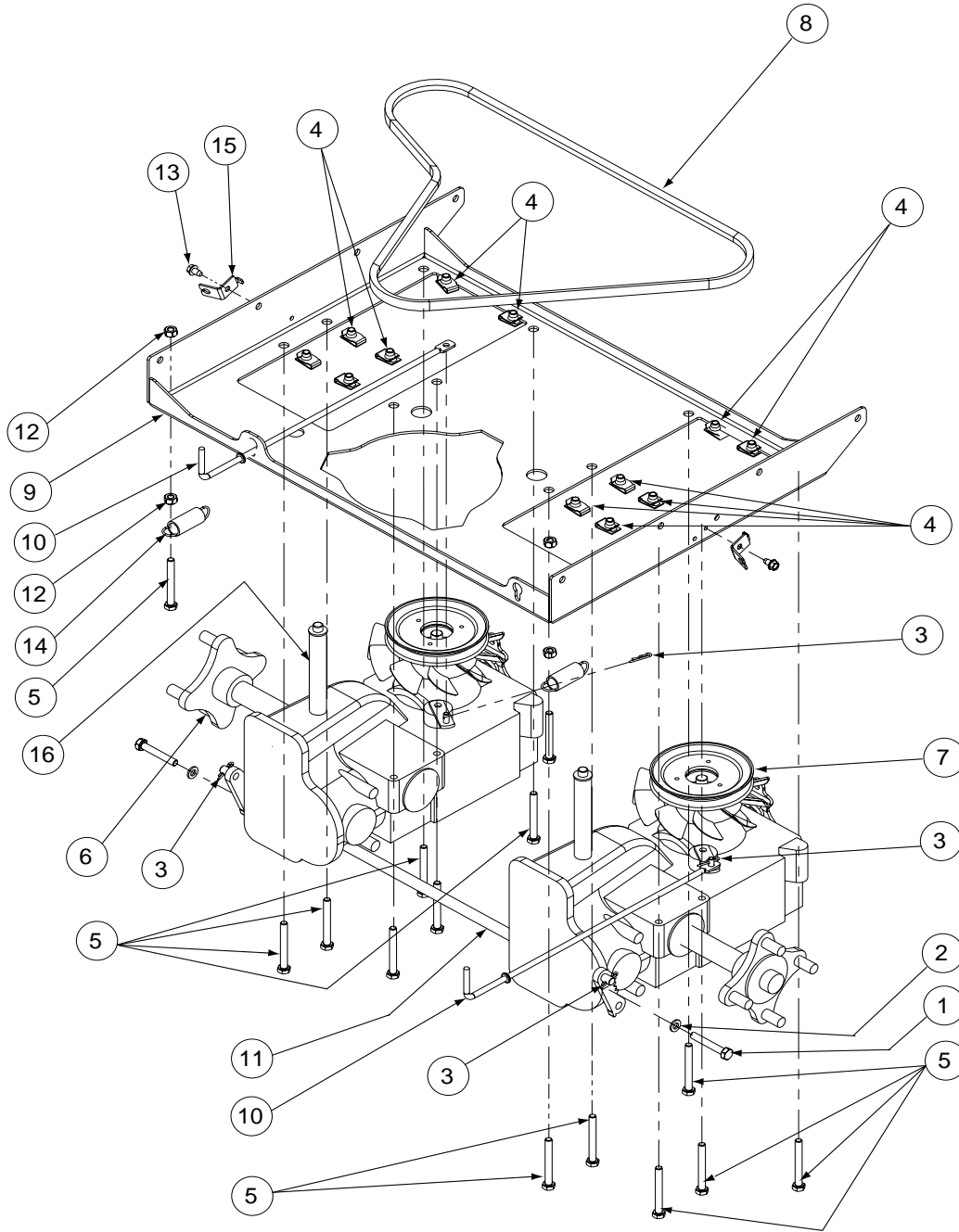
# Steering Assembly -Figure 7 and Parts List



GD: 01008108-01/26/04

Ref. No.	Part No.	Description	Qty.	Ref. No.	Part No.	Description	Qty.	
1	00006129	Hex Cap Screw, 5/16-18 x 1-3/4		2	14	01008432	Bellcrank Steering Shaft Assembly	1
2	00012165	Nut, 5/16-18, Nylock		13	15	01008840	Steering Bellcrank Assembly Left Hand	1
3	01000635	Nut, 5/16-18, Lock		4	16	01008841	Steering Bellcrank Assembly Right Hand	1
4	00012167	Hex Nut, 5/16-24		4	17	01008425	Steering Handle Assembly Left Hand	1
5	00012179	Hex Cap Screw, 5/16-18 x 3/4		4	18	01008426	Steering Handle Assembly Right Hand	1
6	01008600	Capscrew, 5/16-18 x 1.50, Socket Head		2	19	01008165	Steering Pivot Bracket	2
7	00013092	Hex Cap Screw, 5/16-18 x 1.0		9	20	01008410	Rod End, 5/16, Right Hand	4
8	00014081	Nut, 1/4-28, SS, Nylon Insert		2	21	01008551	Rod End, 5/16, Left Hand	4
9	00071691	Control Rod Spacer		2	22	01008552	Lap Bar Grip	2
10	01001919	Shoulder Screw, 1/4-28		2	23	01008458	Pivot Bracket Weldment	2
11	00003107	Cotter Pin, .125 Dia. x 1.0		4	24	01008576	Hex Nut, 5/16-24, Left Hand	4
12	01008433	Steering Input Shaft Assembly		2	25	736-0287	Flat Washer, .793 ID x 1.24 OD x .060	6
13	01008149	Steering Link Rod	4	26	741-0598	Hex Flange Bearing, .752 ID	4	

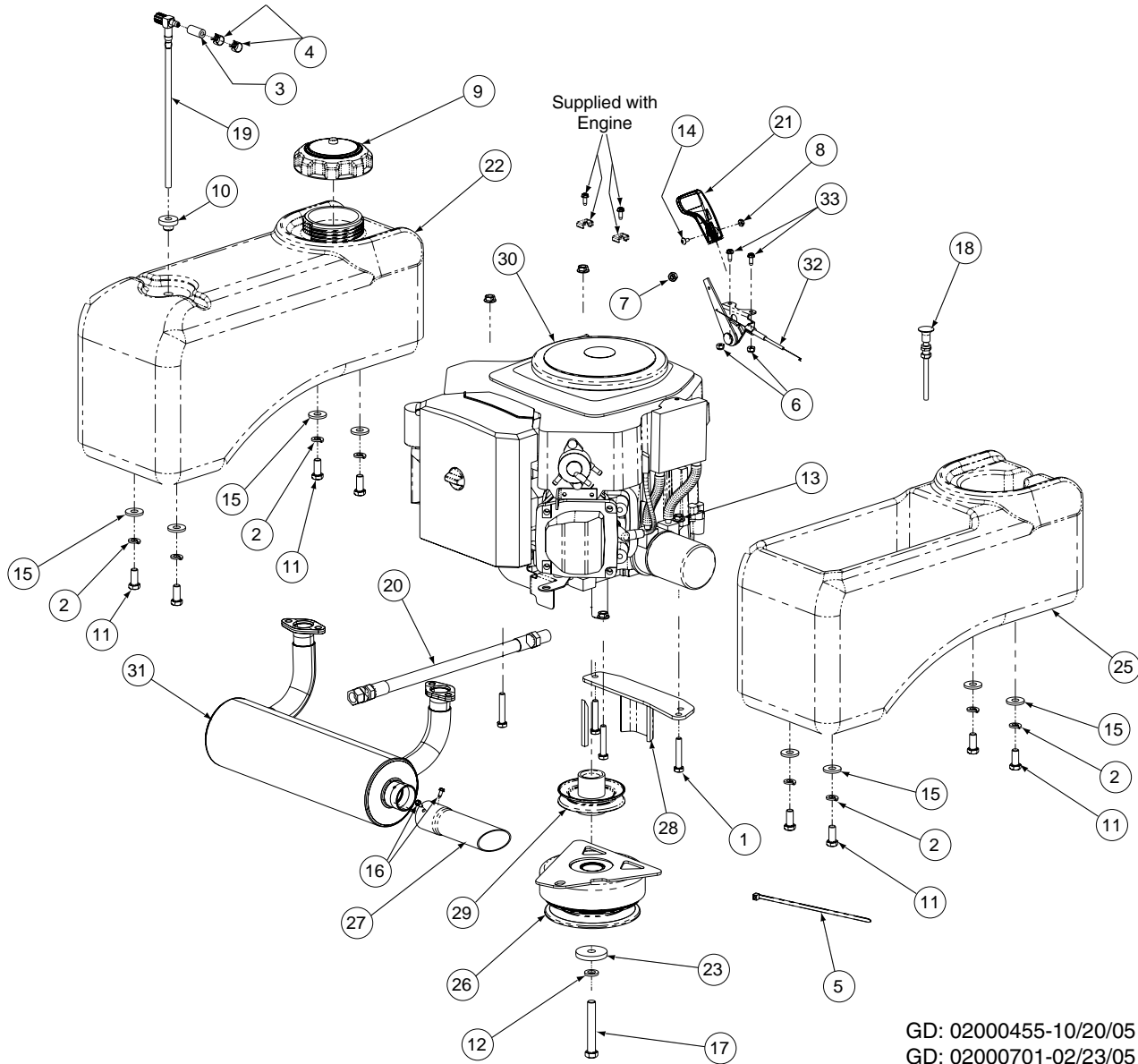
# Drive Train Assembly- Figure 8 and Parts List



GD: 01008106-05/25/05

Ref. No.	Part No.	Description	Qty.	Ref. No.	Part No.	Description	Qty.
1	00013198	Hex Cap Screw, 5/16-18 x 2.0	2	10	02001332	Pump Rod	2
2	00012169	Flat Washer, .320 ID x .591 OD	2	11	01008414	Transmission Brace Tube	1
3	01002771	Cotter Pin, .072 x 1.12 Lg	4	12	00012166	Nut, 5/16-18	4
4	01003563	U-Nut, 5/16-18	12	13	01000628	Screw, 1/4-20 x 1/2	2
5	01007122	Hex Cap Screw, 5/16-18 x 2.5	14	14	01008758	Extension Spring, 1.0 OD x 5.000	2
6	01008192	IZT Transmission, Left Hand	1	15	01008611	Brake Cable Mounting Bracket	2
7	01008193	IZT Transmission, Right Hand	1	16	HG-51401	Hose, 1/2 Dia. x 4" Long includes:	1
8	01008349	V-Belt, 56.00	1		HG-70110	O-Ring Fitting Assembly	1
9	02000617	Transmission Mounting Bracket	1		HG-70109	Cap Vent Assembly	1

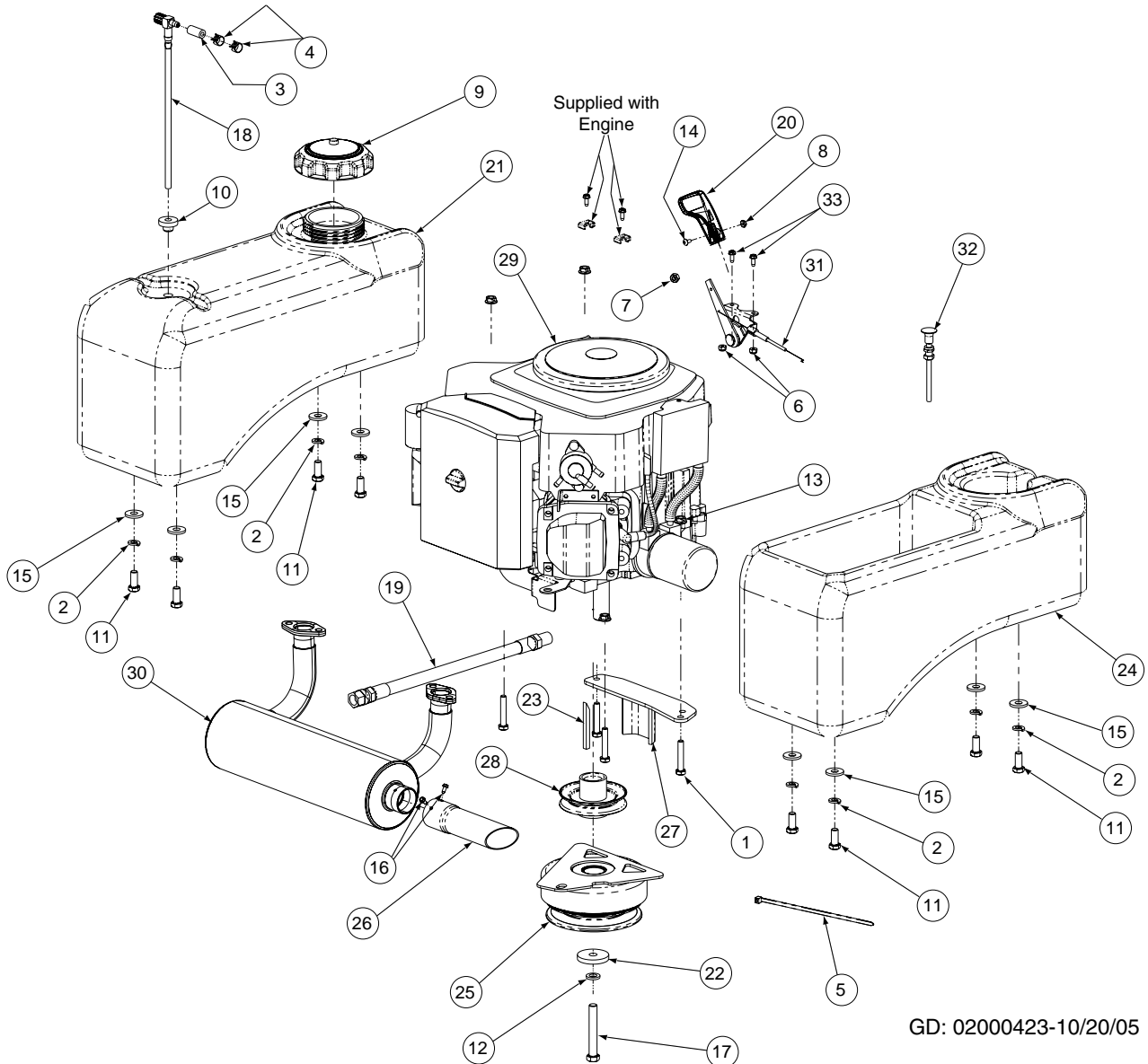
# 20HP Kohler Engine Assembly - Figure 9 and Parts List



GD: 02000455-10/20/05  
GD: 02000701-02/23/05

Ref No	Part No.	Description	Qty.	Ref No	Part No.	Description	Qty.
1	00006129	Hex Head Cap Screw, 5/16-18 x 1-3/4	4	18	02000478	Choke Cable	1
2	00012157	Lock Washer, 3/8 Zinc	8	19	01003116	Fuel Pickup Fitting	1
3	--	Hose, 1/4" Fuel Line	1	20	01003283	Oil Drain Extension Hose	1
4	00012235	Clamp, Union	2	21	01004004	Throttle Control Knob	1
5	00012470	Cable Tie, 3/16 x .05 x 7.4	1	22	01004350	Fuel Tank	1
6	00014608	Lock Nut, Nylon Insert, 10-32	2	23	01005314	Flat Washer, 7/16 ID x 1.75 OD x .250	1
7	00023041	Starter Side Lock Nut 1/4-20	1	24	01007533	Key, 1/4 x 1/4 x 2.75	1
8	00060056	Nut, w/ Star Washer	1	25	01008138	Utility Bin	1
9	01000069	Fuel Cap	1	26	01008434	Ogura DX11 Electric Clutch	1
10	01000281	Fuel Tank Groment	1	27	01008623	Exhaust Pipe	1
11	01000368	Hex Cap Screw, 3/8-16 x .88	8	28	01008640	Clutch Retainer Assembly	1
12	01000389	Lock Washer, 7/16	1	29	01008808	Electric PTO Engine Pulley	1
13	01000635	Lock Nut, Hex Flange, 5/16-18	4	30	02000426	20HP Kohler Engine	1
14	01000721	Machine Screw, 8-32 x .375	1		02000949	20HP Kohler Engine, Aust.	1
15	01000723	Flat Washer, .406 ID x 1.0 OD x .105	8	31	02000456	Kohler Muffler	1
16	01000811	Screw, 8-32 x .375, Hex Washer	2	32	02000477	Throttle Control Cable	1
17	01000813	Hex Cap Screw, 7/16-20 x 3.0	1	33	01008531	Screw, #10-32 x 0.500	2

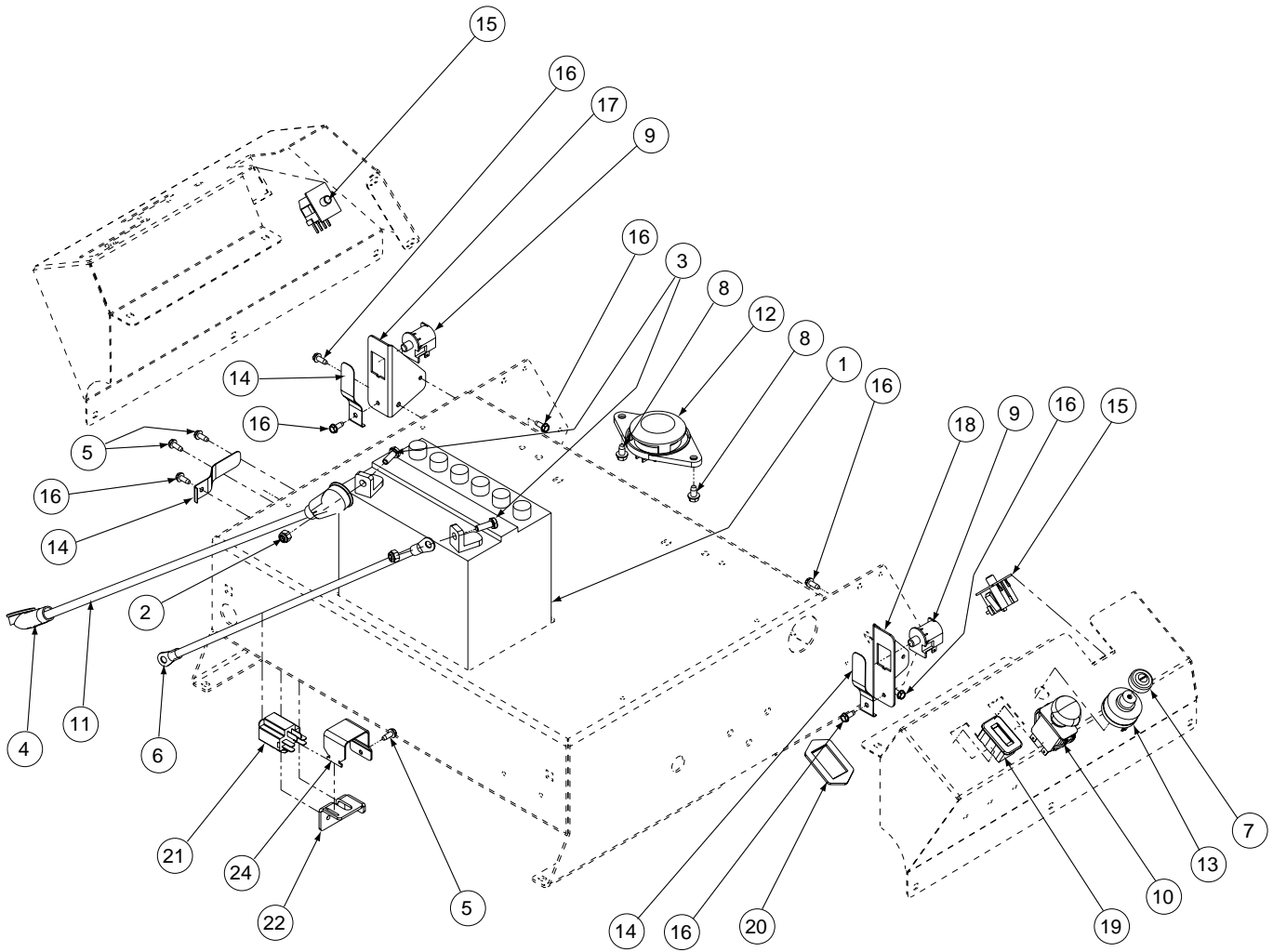
# 23HP Kohler Engine Assembly - Figure 10 and Parts List



GD: 02000423-10/20/05

Ref No	Part No.	Description	Qty.	Ref No	Part No.	Description	Qty.
1	00006129	Hex Head Cap Screw, 5/16-18 x 1-3/4	4	18	01003116	Fuel Pickup Fitting	1
2	00012157	Lock Washer, 3/8 Zinc	8	19	01003283	Oil Drain Extension Hose	1
3	--	Hose, 1/4" Fuel Line	1	20	01004004	Throttle Control Knob	1
4	00012235	Clamp, Union	2	21	01004350	Fuel Tank	1
5	00012470	Cable Tie, 3/16 x .05 x 7.4	1	22	01005314	Flat Washer, 7/16 ID x 1.75 OD x .250	1
6	00014608	Lock Nut, Nylon Insert, 10-32	2	23	01007533	Key, 1/4 x 1/4 x 2.75	1
7	00023041	Starter Side Lock Nut 1/4-20	1	24	01008138	Utility Bin	1
8	00060056	Nut, w/ Star Washer	1	25	01008434	Ogura DX11 Electric Clutch	1
9	01000069	Fuel Cap	1	26	01008623	Exhaust Pipe	1
10	01000281	Fuel Tank Groment	1	27	01008640	Clutch Retainer Assembly	1
11	01000368	Hex Cap Screw, 3/8-16 x .88	8	28	01008808	Electric PTO Engine Pulley	1
12	01000389	Lock Washer, 7/16	1	29	02000427	23HP Kohler Engine	1
13	01000635	Lock Nut, Hex Flange, 5/16-18	4	30	02000456	Kohler Muffler	1
14	01000721	Machine Screw, 8-32 x .375	1	31	02000477	Throttle Control Cable	1
15	00083192	Idler Washer	8	32	02000478	Choke Cable	1
16	01000811	Screw, 8-32 x .375, Hex Washer	2	33	01008531	Screw, #10-32 x 0.500	2
17	01000813	Hex Cap Screw, 7/16-20 x 3.0	1				

# Electrical Assembly - Figure 11 and Parts List

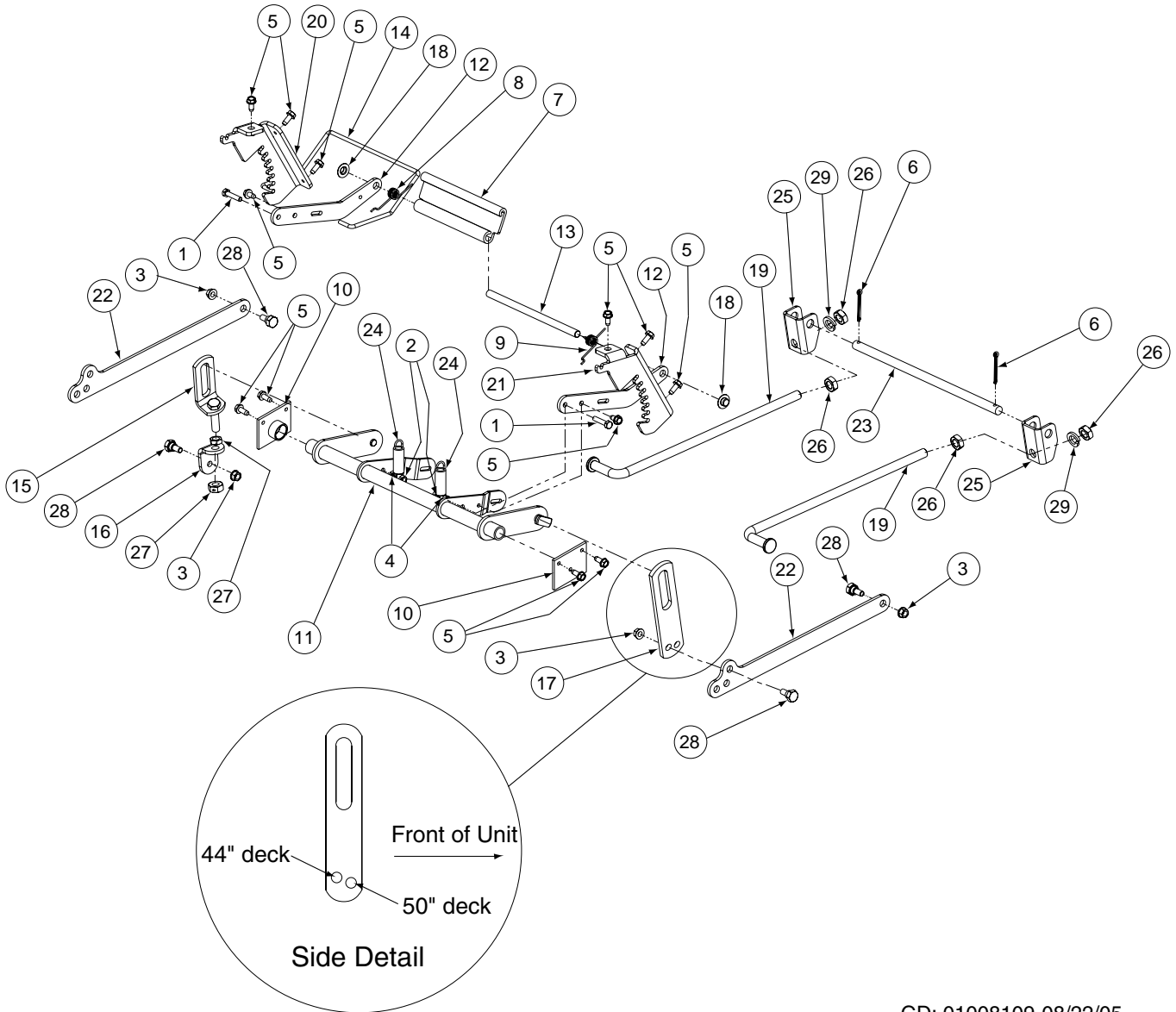


GD: 02000460-07/19/05

Ref. No.	Part No.	Description	Qty.	Ref. No.	Part No.	Description	Qty.
1	00012032	Battery, 12V 225CCA 30Min	1	13	01003581	Switch, Ignition, 6 Pin	1
2	00012152	Lock Nut, Nylon Insert, 1/4-20	2	14	01008042	Safety Switch Retainer Spring	3
3	00013131	Hex Cap Screw, 1/4-20 x .75	2	15	01008386	Neutral Switch	2
4	00013258	Boot, 1" OD Rubber Battery-PST Red	2	16	01001864	Self Tapping Screw, 10-32 x 1/2	7
5	01010129	Self Tapping Screw, 1/4-20 x .75	3	17	01008614	Bracket, Safety Switch, Left Hand	1
6	00024233	Cable, Battery, Black, 17"	1	18	01008615	Bracket, Safety Switch, Right Hand	1
7	00032097	Nut, 5/8-32, w/Cap	1	19	01007597	Hour Meter	1
8	01000628	Self Tapping Screw, 1/4-20 x 1/2	2	20	01009905	PTO Switch Bracket	1
9	01001717	Normally Closed Safety Switch	2	21	02000165	Switch, Plunger	1
10	01002111	Electric PTO Switch	1	22	02000368	Control Housing Assembly	1
11	01002252	Cable, Battery, Red, 24"	1	23	02000555	Harness Assembly (not shown)	1
12	01003277	Normally Closed Seat Switch	1	24	02000488	Switch, Clamp	1



# Lift Assembly - Figure 12 and Parts List



GD: 01008109-08/22/05

Ref. No.	Part No.	Description	Qty.	Ref. No.	Part No.	Description	Qty.
1	00012382	Hex Cap Screw, 5/16-18 x 1-1/2	2	16	01008183	Lower Lift Bracket, Left Hand	1
2	00022547	Nut, 5/16-18, Center Lock	2	17	02000836	Link Lift PLate, Right Hand	1
3	00022560	Nut, 3/8-16, Hex Flange Lock	4	18	01008187	Cap Lift Push Nut	2
4	00012166	Hex Nut, 5/16-18	2	19	01008382	Front Lift Rod	2
5	01008620	Self Tapping Screw, 5/16-18 x 3/4	12	20	01008188	Lift Index Weldment, Left Hand	1
6	00060018	Cotter Pin, 3/16 x 1-1	2	21	01008189	Lift Index Weldment, Right Hand	1
7	01008139	Deck Lift Handle	1	22	01008465	Rear Lift Arm	2
8	01008140	Deck Lift Spring, Left Hand	1	23	01002586	Front Lift Rod	1
9	01008141	Deck Lift Spring, Right Hand	1	24	01008573	Lift Spring	2
10	01008477	Lift Hub Assembly	2	25	01008638	Front Lift Bracket	2
11	01008459	Lift Shaft Assembly	1	26	00035632	Jam Nut, 5/8-11	4
12	01008494	Handle Lift Arm	2	27	01008658	Jam Nut, 1/2-20	2
13	01008175	Lift Handle Rod	1	28	02000393	Shoulder Screw, 3/8-16, .56 x .27	4
14	01008176	Lift Rod Index	1	29	02000671	Lock Washer, 5/8	2
15	02000833	Upper Link Lift Assembly, Left Hand	1				

# Decal Map



777122291

00090006  
Add to the left of the rear  
Bumper "Cub Cadet" Decal.



777D09730  
Centered on the rear fender.



(QTY 2) 777D09156  
On each side keep aligned with bottom  
Edge for proper alignment



777S32161



(QTY 2) 777122094



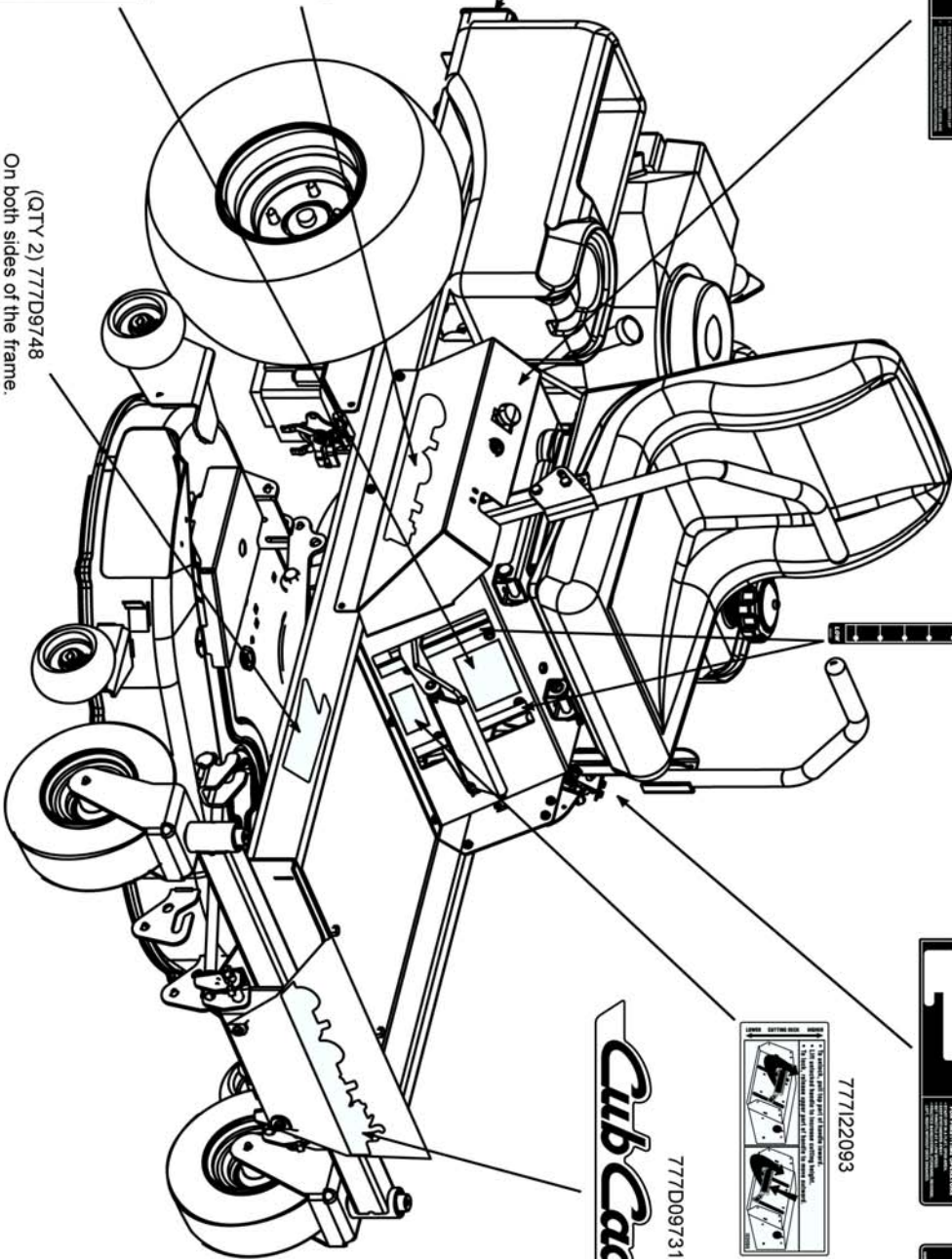
777122290



777122093



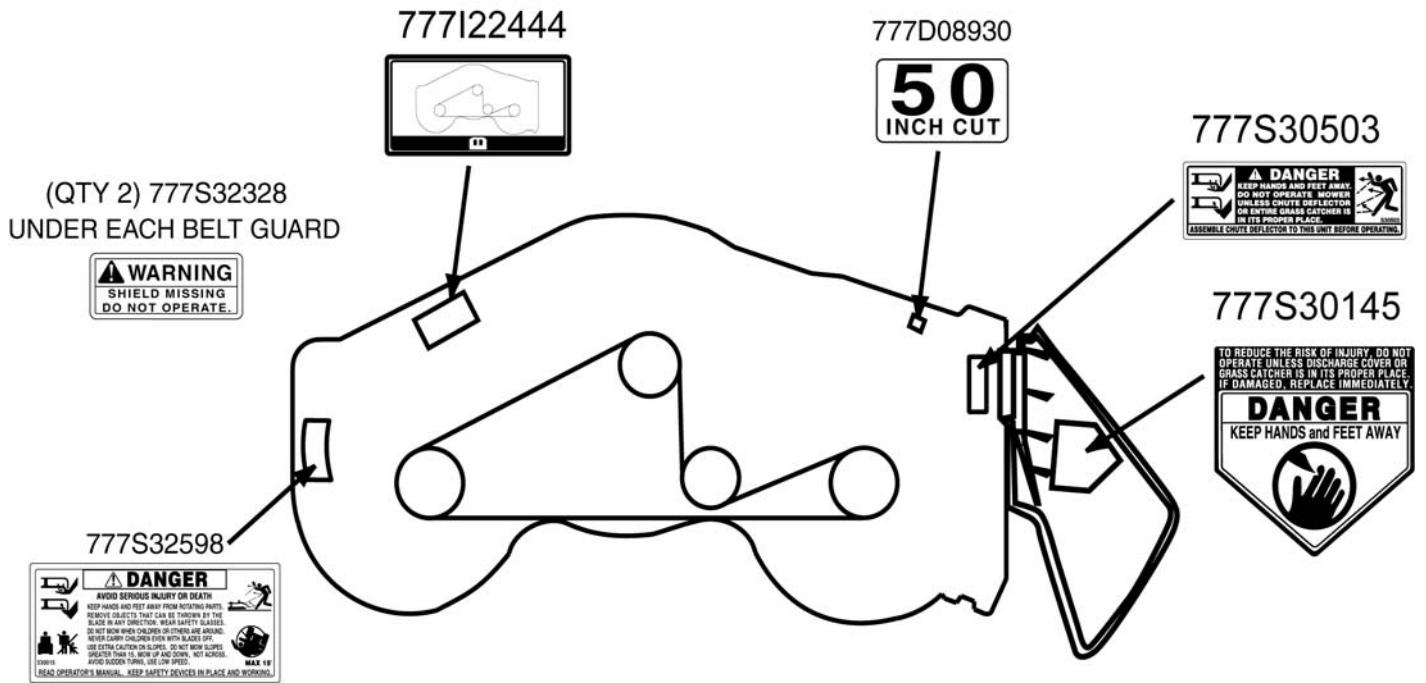
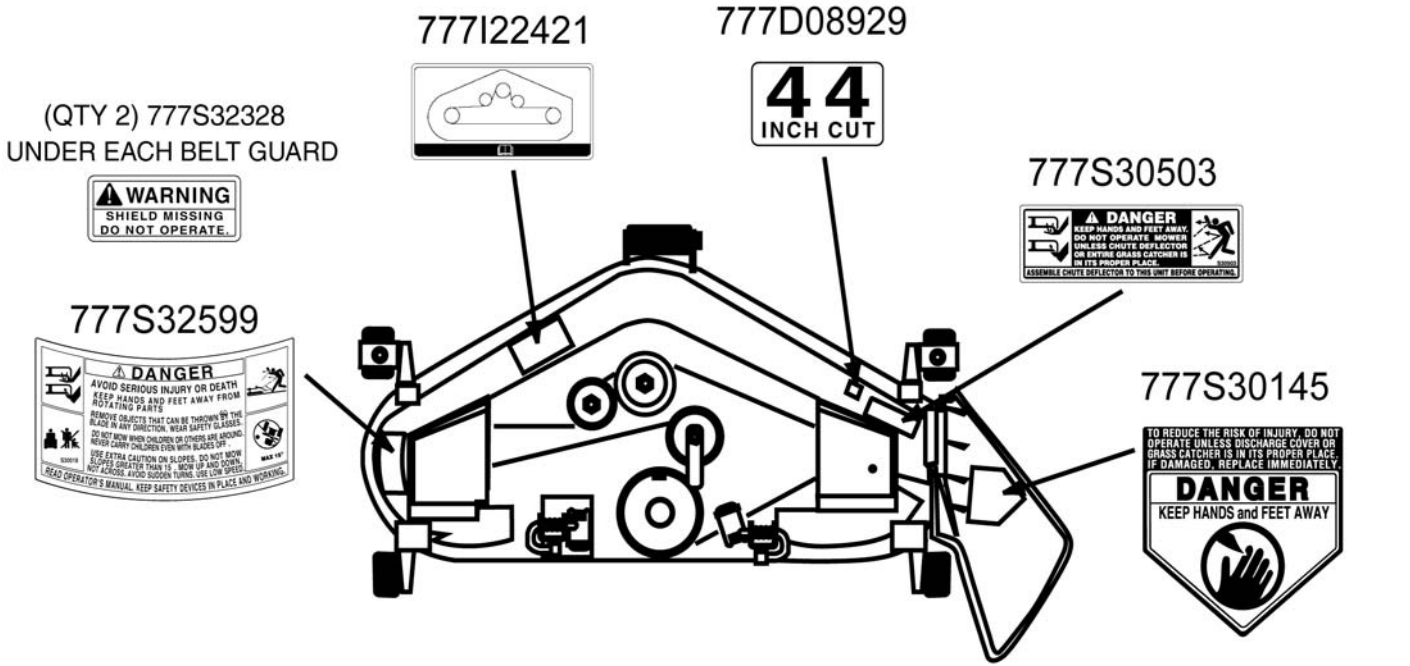
777D09731



(QTY 2) 777D9748  
On both sides of the frame:



# Decal Map





Cub Cadet LLC  
P.O. Box 361131  
Cleveland, OH 44136