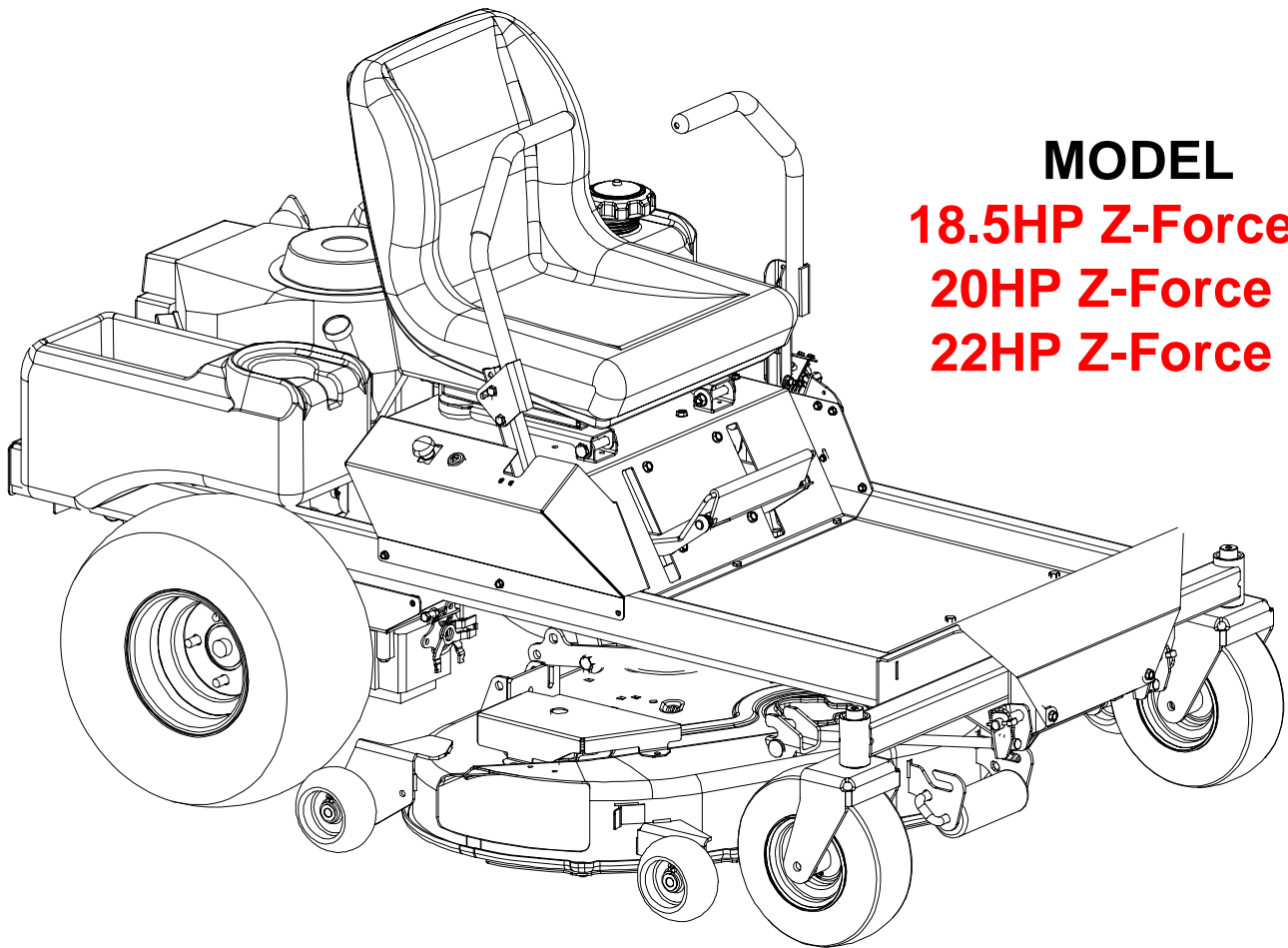


Cub Cadet®

Hydrostatic Zero-Turn Residential Riding Mower

Turf Equipment



MODEL

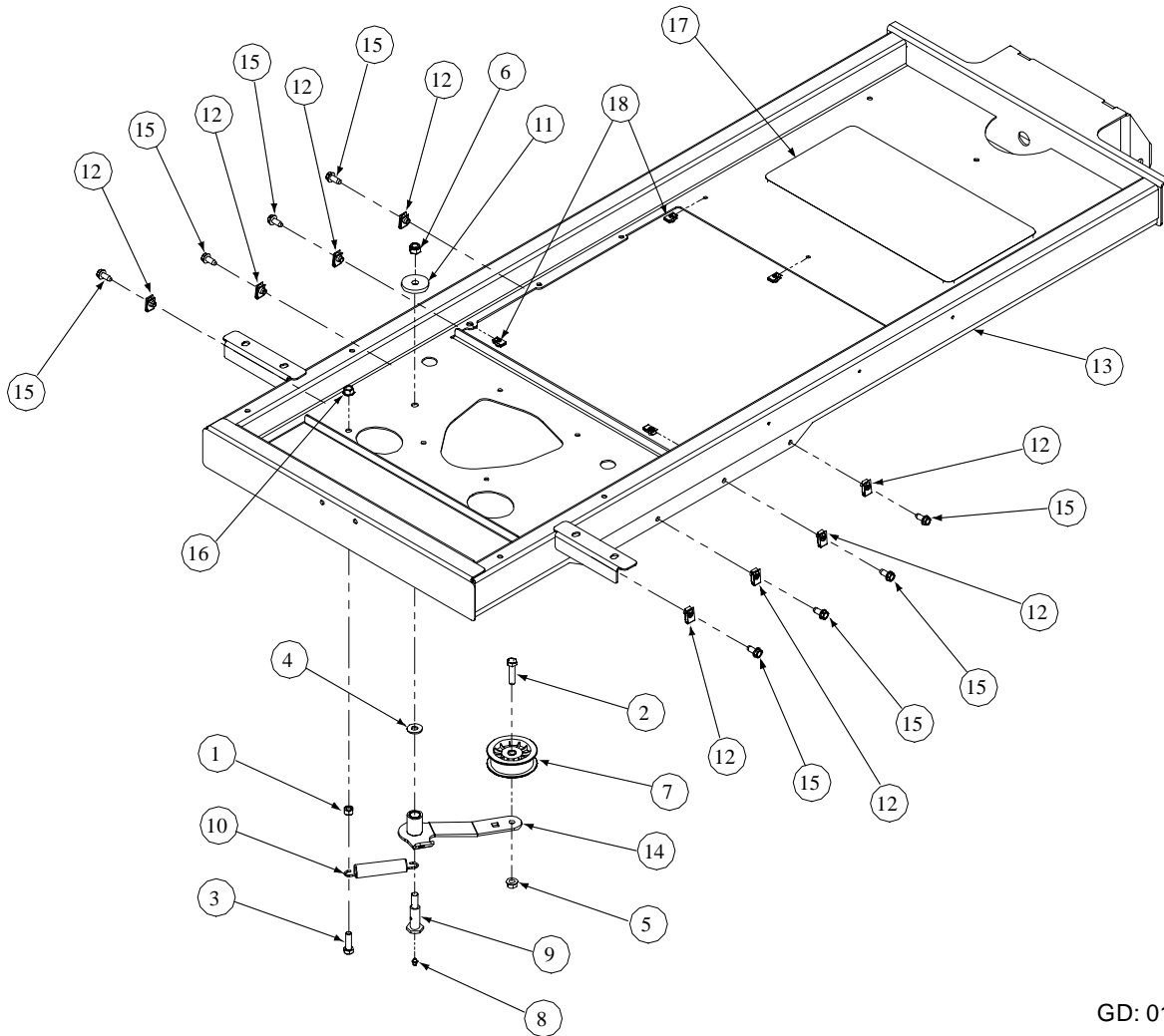
18.5HP Z-Force 42
20HP Z-Force 44
22HP Z-Force 48

ILLUSTRATED PARTS LIST

TABLE OF CONTENTS

| | |
|---|-----------|
| Frame Assembly | 3 |
| 42" Formed Cutter Deck | 4 and 5 |
| 44" Formed Cutter Deck | 6 and 7 |
| 48" Formed Cutter Deck | 8 and 9 |
| 48" Spindle Assembly | 10 and 11 |
| 44" Control Assembly | 12 and 13 |
| 48" Control Assembly | 14 and 15 |
| 42" Front Caster & Tire Assembly | 16 |
| 44" Front Caster & Tire Assembly | 17 |
| 48" Front Caster & Tire Assembly | 18 |
| Steering Assembly | 19 |
| Drivetrain Assembly | 20 |
| 18.5 HP Briggs Engine Assembly | 21 |
| 20 HP Briggs Engine Assembly | 22 |
| 22 HP Briggs Engine Assembly | 23 |
| Electrical Assembly | 24 |
| Lift Assembly | 25 |
| Decal Map | 26 and 27 |
| | |
| 18.5 HP Engine Parts Breakdown ————— | 29 |
| 20 HP Engine Parts Breakdown ————— | 39 |
| 22 HP Engine Parts Breakdown ————— | 48 |

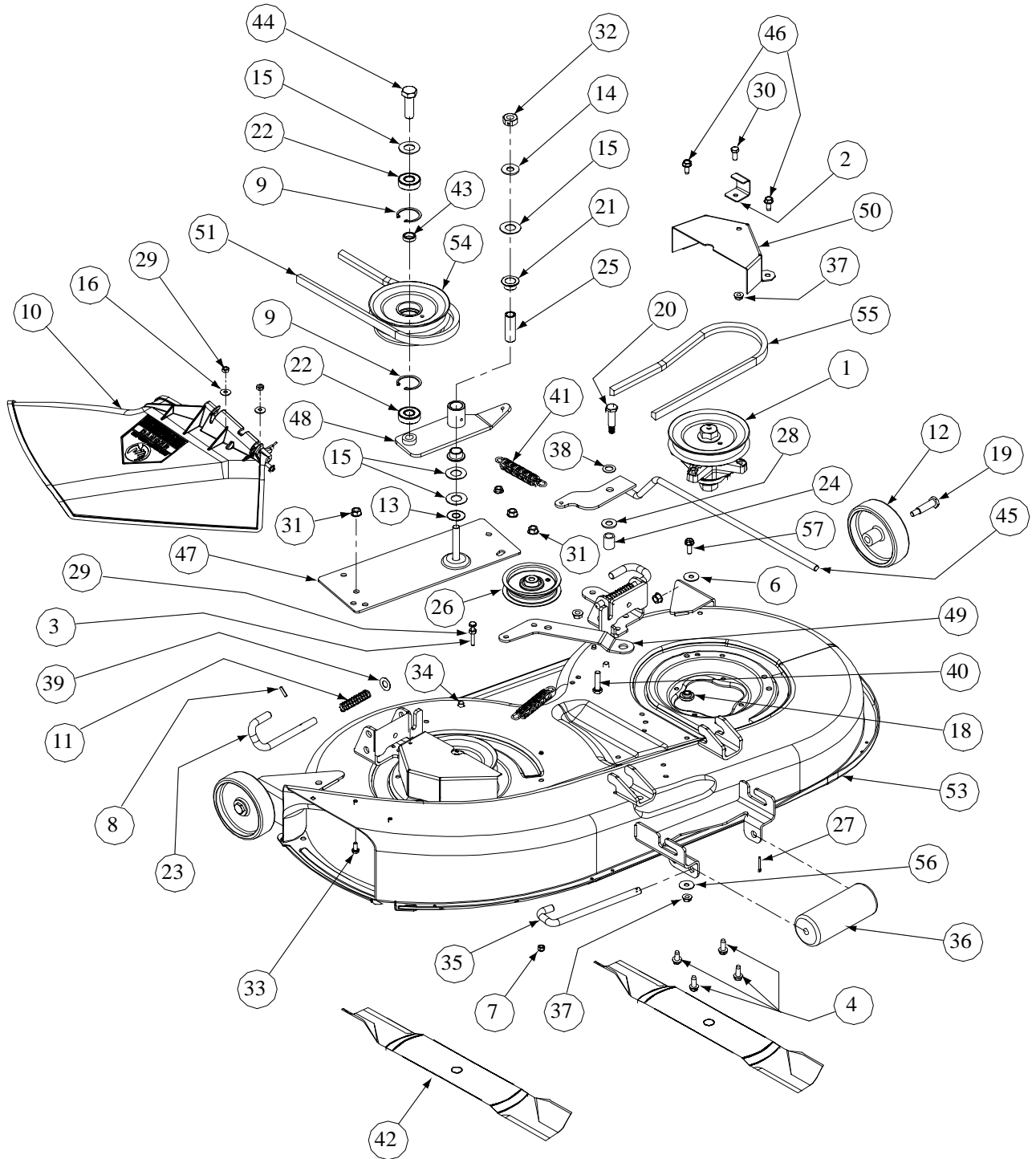
Frame Assembly- Figure 1 and Parts List



GD: 01008104-P00

| Ref. No. | Part No. | Description | Qty. |
|----------|----------|-------------------------------------|------|
| 1 | 00012166 | Hex Nut, 5/16-18 | 1 |
| 2 | 00011438 | Hex Cap Screw, 3/8-16 x 1-1/2 | 1 |
| 3 | 00013116 | Hex Cap Screw, 5/16-18 x 1-1/4 | 1 |
| 4 | 00006168 | Flat Washer, 3/8 zinc | 1 |
| 5 | 00022560 | Hex Nut, 3/8-16 Flange Lock | 1 |
| 6 | 00027279 | Nylock Nut, 7/16-14 | 1 |
| 7 | 00030782 | Flat Idler Pulley w/ adaptor | 1 |
| 8 | 00060078 | Grease Fitting, 1/4-28 x 3/16 | 1 |
| 9 | 01000505 | Shoulder Bolt | 1 |
| 10 | 01002874 | Extension Spring, .865 OD x 4.68 lg | 1 |
| 11 | 01003269 | Flat Washer, 7/16 ID x 1.75 OD | 1 |
| 12 | 01003563 | U-Nut, 5/16-18 | 8 |
| 13 | 01008480 | Frame Assembly Weldment | 1 |
| 14 | 01008399 | Idler Arm Assembly | 1 |
| 15 | 01008764 | Hex Washer Screw 5/16-18 x .750 | 8 |
| 16 | 01000635 | Nut, 5/16-18, Hexflange Lock | 1 |
| 17 | 01006528 | Abrasive Foot Pad | 1 |
| 18 | 01008539 | U-Nut, 1/4-20 | 5 |

42" Formed Cutter Deck - Figure 2

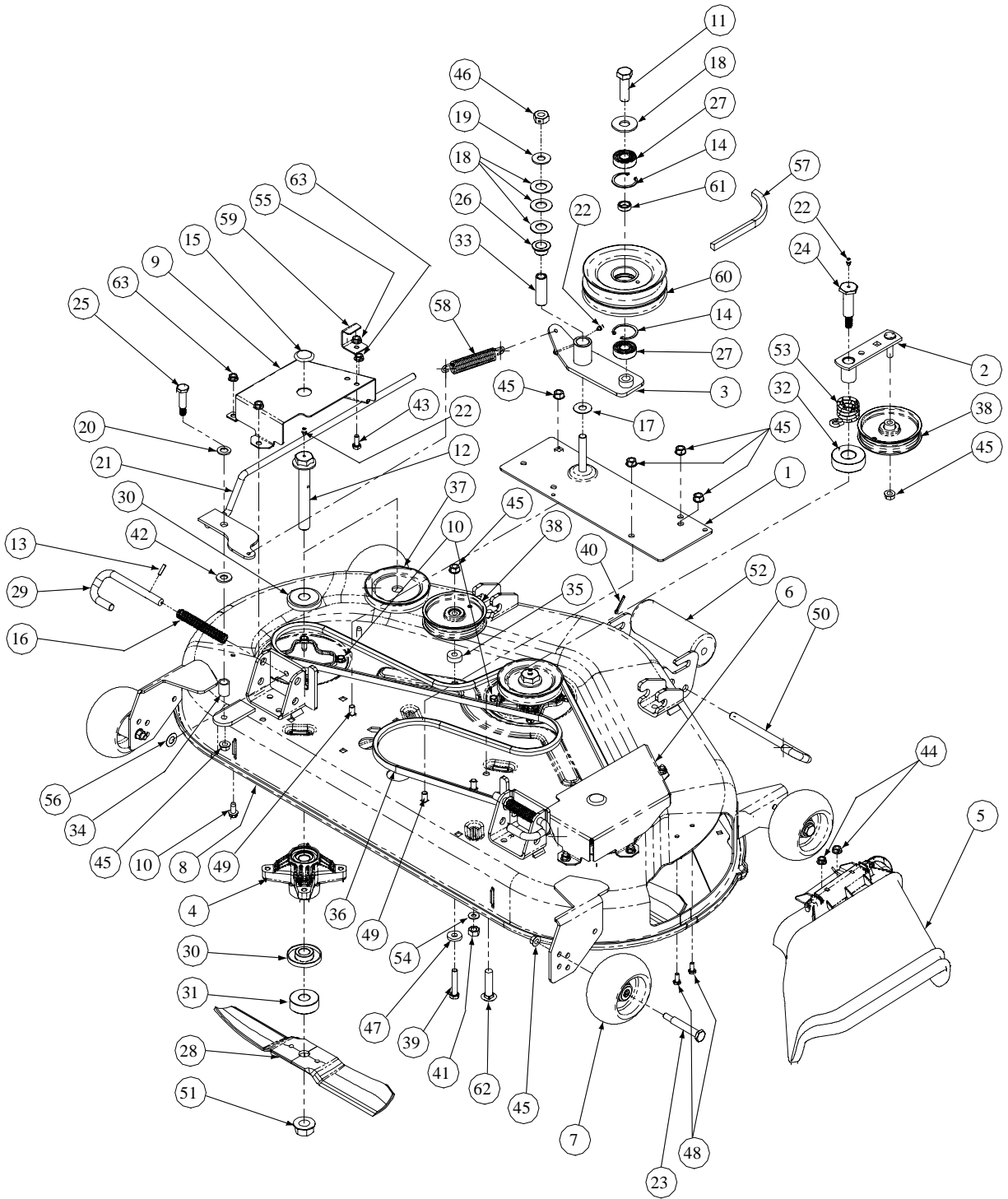


GD: 01009714-P02

42" Formed Cutter Deck - Parts List for Figure 2

| Ref. No. | Part No. | Description | Qty. | Ref. No. | Part No. | Description | Qty. |
|----------|-----------|------------------------------------|------|----------|----------|-----------------------------------|------|
| 1 | -- | 42" Spindle Assembly | 2 | 27 | 00003107 | Cotter Pin, .125 Dia. x 1.0 | 1 |
| | 618-3129B | Blade Spindle Assembly | 2 | 28 | 00010958 | Washer, 1/2 Zinc | 1 |
| | 710-1336A | Blade Bolt | 2 | 29 | 00013291 | Nut, 1/4-20 | 3 |
| | 712-3078 | Flange Nut | 2 | 30 | 00013406 | Hex Cap Screw, 5/16-18 x 3/4 | 1 |
| | 737-3000 | Grease Fitting | 2 | 31 | 00022560 | Nut, 3/8-16 | 6 |
| | 748-3065 | Spacer | 4 | 32 | 00023287 | Nut, 1/2-20, Center Lock | 1 |
| | 756-3106 | Pulley | 2 | 33 | 01000338 | Hex Cap Screw, 1/4-20 x .620 | 2 |
| 2 | 01004863 | Stop Bracket | 1 | 34 | 01000372 | Carriage Bolt, 3/8-16 x .75 | 2 |
| 3 | 710-0136 | Hex Cap Screw, 1/4-20 x 1.75 | 1 | 35 | 01000375 | Roller Pin, 1/2 Dia. x 7.31 | 1 |
| 4 | 710-0650 | Self Tapping Screw, 5/16-18 x 7/8 | 8 | 36 | 01000385 | Front Roller | 1 |
| 5 | 710-1238 | Hex Screw w/ washer, 5/16-18 x 7/8 | 1 | 37 | 01000635 | Nut, 5/16-18 | 3 |
| 6 | 01000960 | Bell Washer, .325 x .930 x .045 | 1 | 38 | 01000873 | Washer, .536 ID x .930 OD x .05 | 1 |
| 7 | 712-0324 | Nut, 1/4-20 | 1 | 39 | 01000930 | Washer, .508 ID x 1.0 OD x .020 | 2 |
| 8 | 715-3003 | Heavy Duty Spirol Spring Pin | 2 | 40 | 00010980 | Hex Cap Screw, 3/8-16 x 1.50 | 1 |
| 9 | 716-3020 | Internal Snap Ring | 2 | 41 | 01002874 | Extension Spring, .865 OD x 4.68 | 2 |
| 10 | 731-1032B | Chute Assembly | 1 | 42 | 01005338 | Blade, 21.0, Hi-Lift, .756 ID | 2 |
| 11 | 732-0802 | Compression Spring, .63 OD x 6.3 | 2 | 43 | 01008404 | Spacer, .635 ID x .28 | 1 |
| 12 | 734-0973 | Deck Wheel, 5.0 x 1.38 | 2 | 44 | 01008530 | Hex Cap Screw, 5/8-18 x 2.00 | 1 |
| 13 | 736-0100 | Washer, .531 ID x 1.25 OD | 1 | 45 | 01008538 | Deck Handle Weldment | 1 |
| 14 | 736-0179 | Washer, .531 x 1.25 x .10 | 1 | 46 | 01008620 | Self Tapping Screw, 5/16-18 x 3/4 | 4 |
| 15 | 736-0188 | Washer, .76 x 1.49 x .06 | 4 | 47 | 01008590 | Deck Mount Plate Assembly | 1 |
| 16 | 736-0270 | Bell Washer, .265 x .75 x .062 | 2 | 48 | 01008589 | Idler Assembly | 1 |
| 17 | 737-3000 | Grease Fitting | 1 | 49 | 01009711 | Idler Bracket | 1 |
| 18 | 738-0372B | Spacer, 1.0 x .38 x .38 | 1 | 50 | 01009723 | Left Hand Belt Cover | 1 |
| 19 | 738-0373 | Screw, .498 x 1.53, 3/8-16 | 2 | 51 | 01009719 | Belt, V-Section | 1 |
| 20 | 738-0213 | Screw, .498 x 1.445 | 1 | 52 | 01009742 | Right Hand Belt Cover | 1 |
| 21 | 741-0338 | Flange Bearing, 3/4 ID x .52 | 2 | 53 | 01009791 | Deck Weldment | 1 |
| 22 | 741-0524 | Bearing, .625 ID x 1.574 OD x .47 | 2 | 54 | 01009904 | Double Pulley | 1 |
| 23 | 747-3013 | Support Pin | 2 | 55 | 01009907 | Belt, V-Section | 1 |
| 24 | 750-0150 | Spacer, .550 ID x .75 OD | 1 | 56 | 01009937 | Washer, 5/16 x 1.06 | 1 |
| 25 | 750-0656 | Spacer, .50 OD x .75 ID x 2.25 | 1 | 57 | 00013092 | Hex Cap Screw, 5/16-18 x 1.0 | 1 |
| 26 | 756-0542 | Idler Pulley | 1 | | | | |

44" Formed Cutter Deck - Figure 2

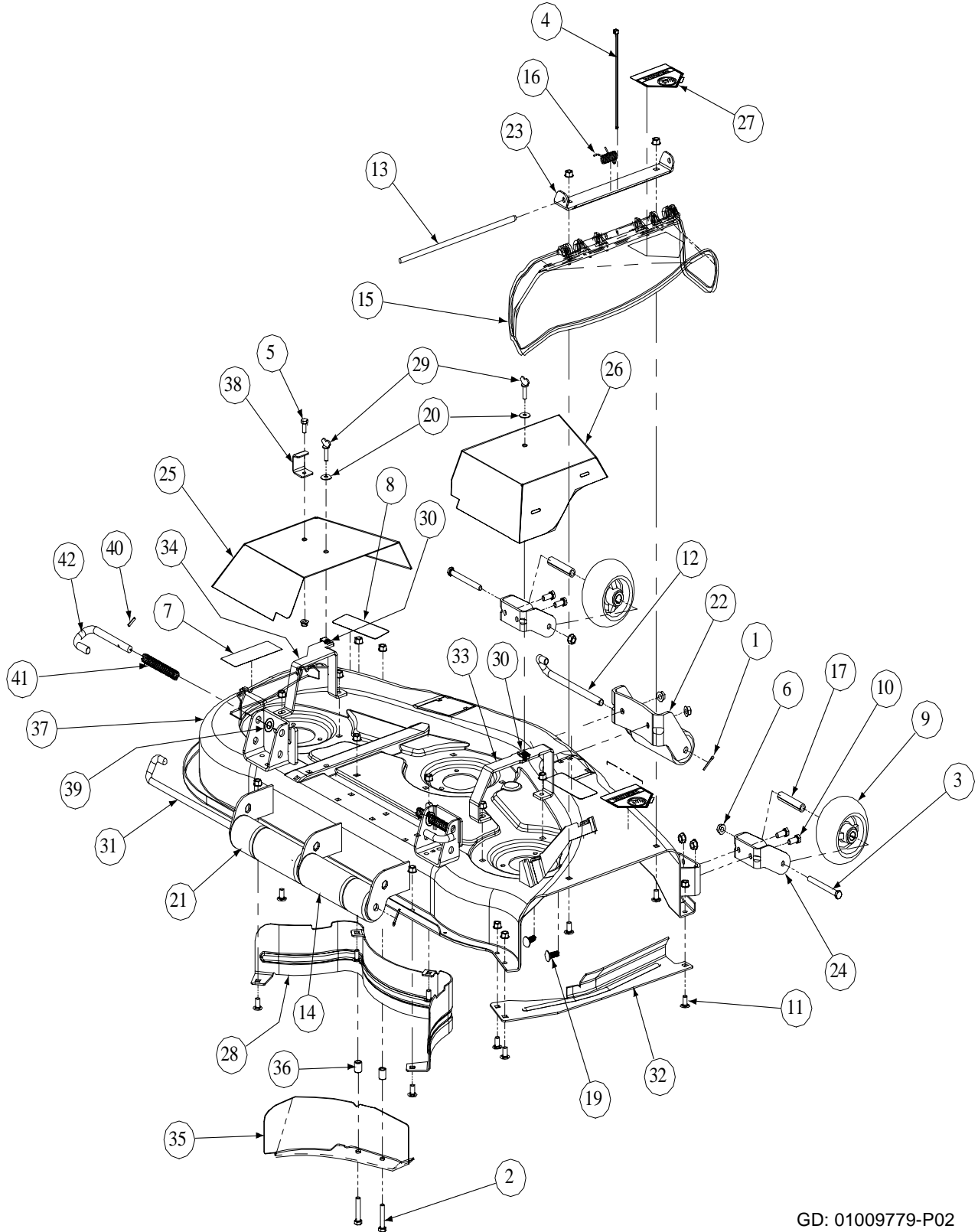


GD: 01008112-P02

44" Formed Cutter Deck - Parts List for Figure 2

| Ref. No. | Part No. | Description | Qty. | Ref. No. | Part No. | Description | Qty. |
|----------|-----------|-----------------------------------|------|----------|----------|---------------------------------------|------|
| 1 | 01008590 | Deck Mounting Plate Assembly | 1 | 33 | 750-0656 | Spacer .50 OD x .75 ID | 1 |
| 2 | 01008593 | Idler Arm Assembly | 1 | 34 | 750-0150 | Spacer .550 ID x .750 OD | 1 |
| 3 | 01008589 | Idler Assembly | 1 | 35 | 750-3119 | Spacer .406 ID x 1.0 OD | 1 |
| 4 | 618-3129B | Spindle Assembly | 3 | 36 | 754-3039 | Belt | 1 |
| 5 | 631-0094A | Chute Assembly | 1 | 37 | 756-3089 | Pulley | 3 |
| 6 | 01008587 | Belt Cover Right Hand | 1 | 38 | 01004081 | Flat Pulley | 2 |
| 7 | 703-1890 | Deck Wheel | 4 | 39 | 00002528 | Hex Cap Screw 3/8-16 x 2.00 | 1 |
| 8 | 01008481 | Deck Assembly 44" | 1 | 40 | 00003107 | Cotter Pin .125 Dia x 1.0 | 1 |
| 9 | 01008586 | Belt Cover Left Hand | 1 | 41 | 00027279 | Nut 7/16-14, Nylock | 1 |
| 10 | 01008620 | Self Tapping Screw 5/16-18 x .750 | 18 | 42 | 00010958 | Flat Washer .50 ID x 1.065 OD | 1 |
| 11 | 01008530 | Hex Cap Screw 5/8-18 x 2.00 | 1 | 43 | 00013406 | Hex Cap Screw 5/16-18 x .75 | 1 |
| 12 | 710-1852 | Spindle Bolt 3/4-16 x 5.37 | 3 | 44 | 01002766 | Nut, 1/4-20, hexflange Lock | 2 |
| 13 | 715-3003 | Pin | 2 | 45 | 00022560 | Hex Nut, 3/8-16, Flange Lock | 11 |
| 14 | 716-3020 | Internal Snap Ring | 2 | 46 | 00023287 | Nut, 1/2-20, Center Lock | 1 |
| 15 | 726-3045 | Button Plug | 2 | 47 | 00083192 | Idler Washer | 1 |
| 16 | 732-0802 | Compression Spring .63 OD x 6.3 | 2 | 48 | 01000338 | Hex Cap Screw 1/4-20 x .620 | 2 |
| 17 | 736-0100 | Flat Washer .531 ID x 1.25 OD | 1 | 49 | 01000372 | Carriage Bolt 3/8-16 x .75 | 3 |
| 18 | 736-0188 | Flat Washer .76 ID x 1.49 OD | 4 | 50 | 01000375 | Roller Pin 1/2 x 7.31 | 1 |
| 19 | 736-0179 | Flat Washer .50 ID x 1.25 OD | 1 | 51 | 01000380 | Nut, 3/4-16, Hex Flange | 3 |
| 20 | 01000873 | Flat Washer .536 ID x .93 OD | 1 | 52 | 01000385 | Front Roller | 1 |
| 21 | 01008538 | Deck Handle Weldment | 1 | 53 | 732-3067 | Idler Torsion Spring | 1 |
| 22 | 737-3000 | Grease Fitting | 5 | 54 | 01000393 | Flat Washer, .469 ID x .875 OD x .105 | 1 |
| 23 | 738-3056 | Shoulder Screw 1/2 x 2.5 | 4 | 55 | 01000635 | Lock Nut 5/16-18 Hex Flange | 1 |
| 24 | 738-3172 | Shoulder Screw .68 x 2.11 | 1 | 56 | 01000930 | Flat Washer .508 ID x 1.0 OD | 2 |
| 25 | 738-0213 | Shoulder Screw .498 x 1.445 | 1 | 57 | 01002391 | Belt | 1 |
| 26 | 741-0338 | Flange Bearing .75 ID x .52 | 2 | 58 | 01002874 | Extension Spring .865 OD x 4.68 | 1 |
| 27 | 741-0524 | Bearing .625 ID x 1.574 OD | 2 | 59 | 01004863 | Tension Rod Stop Bracket | 1 |
| 28 | 01008616 | Blade | 3 | 60 | 01008376 | Double Pulley | 1 |
| 29 | 747-3013 | Support Pin | 2 | 61 | 01008404 | Spacer .635 ID x .88 OD | 1 |
| 30 | 748-3065 | Spindle Spacer | 6 | 62 | 00030276 | Carriage Bolt 3/8-16 x 1.50 | 1 |
| 31 | 748-3020 | Blade Spacer | 3 | 63 | 00012166 | Hex Nut, 5/16-18 | 6 |
| 32 | 01008456 | Spacer .760 ID x 1.5 OD | 1 | | | | |

48" Formed Cutter Deck - Figure 3

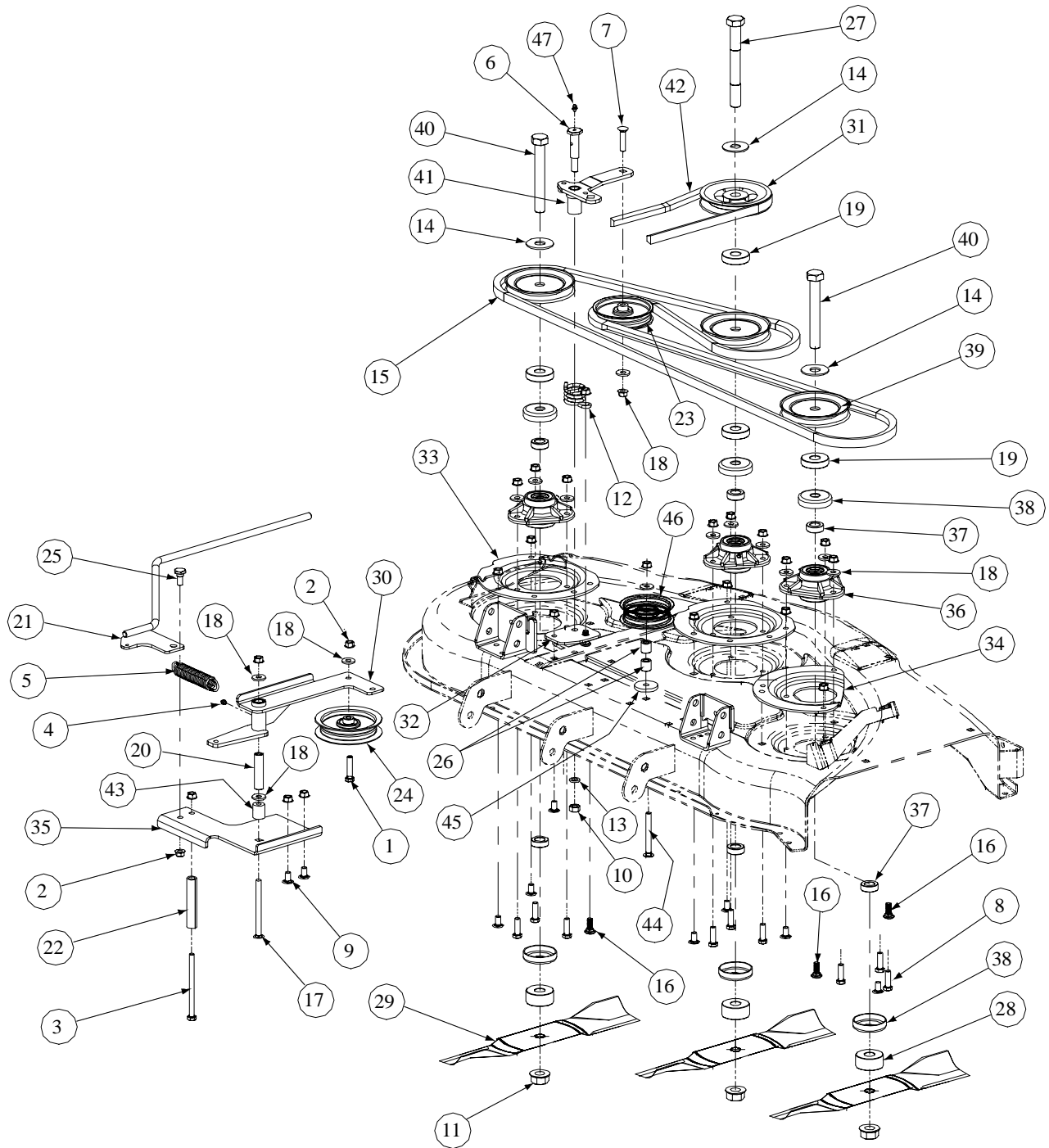


GD: 01009779-P02

48" Formed Cutter Deck - Parts List for Figure 3

| Ref. No. | Part No. | Description | Qty. |
|----------|----------|---------------------------------------|------|
| 1 | 00003107 | Cotter Pin .125 Dia x 1.0 | 2 |
| 2 | 00008495 | Capscrew, 3/8-16 x 1-3/4 | 2 |
| 3 | 00011925 | Capscrew, 3/8-16 x 4.00 | 2 |
| 4 | 00012470 | Cable Tie, 3/16 x .05 x 7.4 | 1 |
| 5 | 00013406 | Hex Cap Screw 5/16-18 x .75 | 1 |
| 6 | 00022560 | Hex Nut, 3/8-16, Flange Lock | 24 |
| 7 | 00030633 | Decal, Rotating Blade | 1 |
| 8 | 00030635 | Decal, Warning Shield Missing | 2 |
| 9 | 01000343 | Complete Wheel, 5.00 Dia. | 2 |
| 10 | 01000368 | Hex Cap Screw, 3/8-16 x .88 | 4 |
| 11 | 01000372 | Carriage Bolt 3/8-16 x .75 | 10 |
| 12 | 01000375 | Roller Pin 1/2 x 7.31 | 1 |
| 13 | 01009102 | Hinge Pin, .375 x 14.06 | 1 |
| 14 | 01000385 | Front Roller | 3 |
| 15 | 01009705 | Chute Deflector | 1 |
| 16 | 01003253 | Torsion Spring | 1 |
| 17 | 01000398 | Wheel Spacer | 2 |
| 18 | 01000635 | Lock Nut 5/16-18 Hex Flange | 1 |
| 19 | 01000643 | Carriage Bolt, 3/8-16 x 1 | 2 |
| 20 | 01000960 | Washer, .325 x .930 x .045 | 2 |
| 21 | 01001169 | Grass Catcher Roller | 2 |
| 22 | 01006574 | Front Roller Bracket | 1 |
| 23 | 01006575 | Chute Mounting Bracket | 1 |
| 24 | 01006576 | Castor Bracket | 2 |
| 25 | 01006577 | Left Hand Belt Cover | 1 |
| 26 | 01006578 | Right Hand Belt Cover | 1 |
| 27 | 01002166 | Decal, Danger Hands & Feet | 2 |
| 28 | 01006581 | Baffle | 1 |
| 29 | 01003560 | Thumb Screw, 5/16-18 x 1.0 | 2 |
| 30 | 01003563 | U-Nut, 5/16-18 | 2 |
| 31 | 01004751 | Roller Rod | 1 |
| 32 | 01006583 | Finger Guard | 1 |
| 33 | 01006490 | Right Hand Belt Cover Support Bracket | 1 |
| 34 | 01006492 | Left Hand Belt Cover Support Bracket | 1 |
| 35 | 01006530 | Deck Baffle | 1 |
| 36 | 01006573 | Spacer, .437 ID x .625 OD x .75 | 2 |
| 37 | 01009780 | 48" Deck Weldment | 1 |
| 38 | 01004863 | Tension Rod Stop Bracket | 1 |
| 39 | 01000930 | Washer, .508 ID x 1.00 OD x .020 | 2 |
| 40 | 715_3003 | Heavy Duty Spring Pin | 2 |
| 41 | 732_0802 | Compression Spring, .63 OD x 6.3 Lg | 2 |
| 42 | 747_3013 | Support Pin | 2 |

48" Spindle Assembly - Figure 4

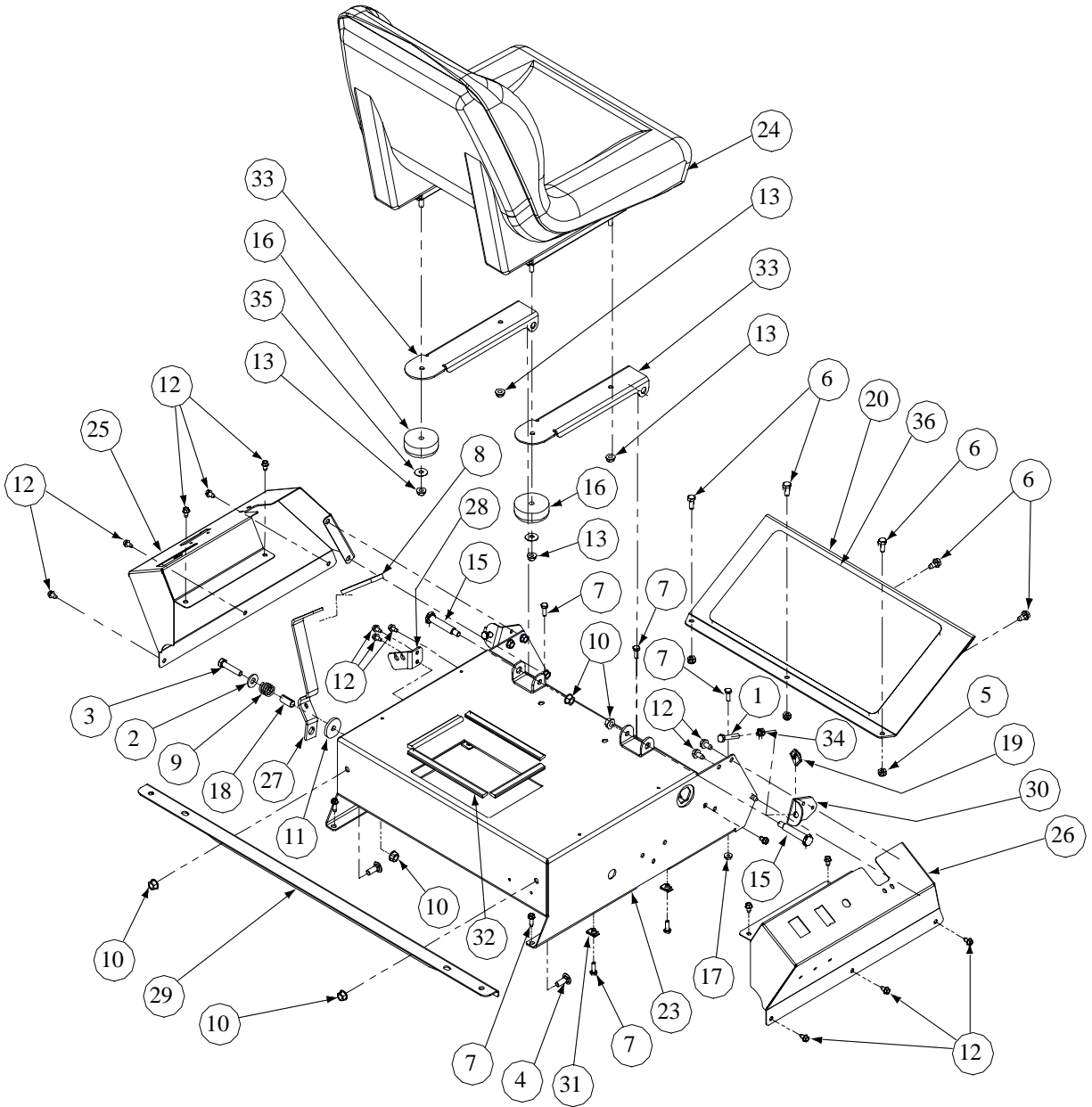


GD: 01009778-P00

48" Spindle Assembly - Parts List for Figure 4

| Ref. No. | Part No. | Description | Qty. |
|----------|----------|---------------------------------------|------|
| 1 | 00008495 | Capscrew, 3/8-16 x 1-3/4 | 1 |
| 2 | 00022560 | Hex Nut, 3/8-16, Flange Lock | 25 |
| 3 | 00034167 | Capscrew, 3/8-16 x 5.00 | 1 |
| 4 | 00060078 | Grease Fitting, 1/4-28 x 3/16 | 1 |
| 5 | 01000199 | Extension Spring, 1.0 OD x 5.00 | 1 |
| 6 | 01000302 | Shoulder Screw, 7/16-14 | 1 |
| 7 | 01000364 | Hex Carriage Screw, 3/8-16 x 1.75 | 1 |
| 8 | 01000369 | Capscrew, 3/8-16 x 1.25 | 9 |
| 9 | 01000372 | Carriage Bolt 3/8-16 x .75 | 9 |
| 10 | 01000379 | Hex Nut, 7/16-14 | 1 |
| 11 | 01000380 | Nut, 3/4-16, Hex Flange | 3 |
| 12 | 01000387 | Idler Spring | 1 |
| 13 | 01000389 | Lock Washer, 7/16 | 1 |
| 14 | 01000392 | Flat Washer, .781 ID x 2.00 OD x .105 | 3 |
| 15 | 01000399 | Belt, A Section x 107.3 | 1 |
| 16 | 01000643 | Carriage Bolt, 3/8-16 x 1 | 4 |
| 17 | 01009906 | Carriage Bolt, 3/8-16 x 5.0 | 1 |
| 18 | 01000723 | Flat Washer, .406 ID x 1.0 OD x .105 | 14 |
| 19 | 01002564 | Spacer, .76 ID x 2.00 OD x .477 | 4 |
| 20 | 01003245 | Spacer, .39 ID x .625 OD x 2.75 | 1 |
| 21 | 01005692 | Spring Tension Rod Assembly | 1 |
| 22 | 01004065 | Spacer, .405 x .75 x 3.875 | 1 |
| 23 | 01004081 | Flat Pulley | 1 |
| 24 | 01004101 | Idler Pulley, 4.06 OD | 1 |
| 25 | 01004118 | Shoulder Screw, .50 x .27 Lg., 3/8-16 | 1 |
| 26 | 01004129 | Spacer, .385 ID x .75 OD x .875 | 2 |
| 27 | 01004185 | Capscrew, 3/4-16 x 6.50 | 1 |
| 28 | 01004415 | Spacer, .760 ID x 2.00 OD x 0.9 | 3 |
| 29 | 01004772 | Hi-Lift Blade, 16.5, 0.756 ID | 3 |
| 30 | 01005103 | Idler Arm Assembly, Flat Top Bearing | 1 |
| | 01000308 | Bearing Sleeve | 2 |
| 31 | 01005202 | V-Pulley, 4.75 OD | 1 |
| 32 | 01006469 | Idler Arm Mounting Plate | 1 |
| 33 | 01006440 | Spindle Support Plate | 2 |
| 34 | 01006442 | RH Spindle Support PLate | 1 |
| 35 | 01006468 | Idler Arm Mounting Bracket | 1 |
| 36 | 01006470 | Housing Assembly | 3 |
| 37 | 01006533 | Spacer, .76 ID x 1.25 OD x .44 | 6 |
| 38 | 01006534 | Spindle Spacer | 6 |
| 39 | 01006535 | V-Pulley, 5.0 OD | 3 |
| 40 | 01006590 | Capscrew, 3/4-16 x 5.50 | 2 |
| 41 | 01006760 | Idler Arm Assembly, Deck Spindle | 1 |
| | 01000308 | Bearing Sleeve | 2 |
| 42 | 00050441 | V-Belt, B-Section | 1 |
| 43 | 01001539 | Spacer, .39 ID x .875 OD x 1.100 | 1 |
| 44 | 01002750 | Carriage Bolt, 3/8-16 x 3.5 | 1 |
| 45 | 01005314 | Washer, 7/16 ID x 1.75 OD x .25 | 1 |
| 46 | 756_0542 | Pulley, 1.0 OD | 1 |
| 47 | 00012226 | Grease Fitting, 1/4-28, 90 degree | 1 |

42"/44" Control Assembly - Figure 5

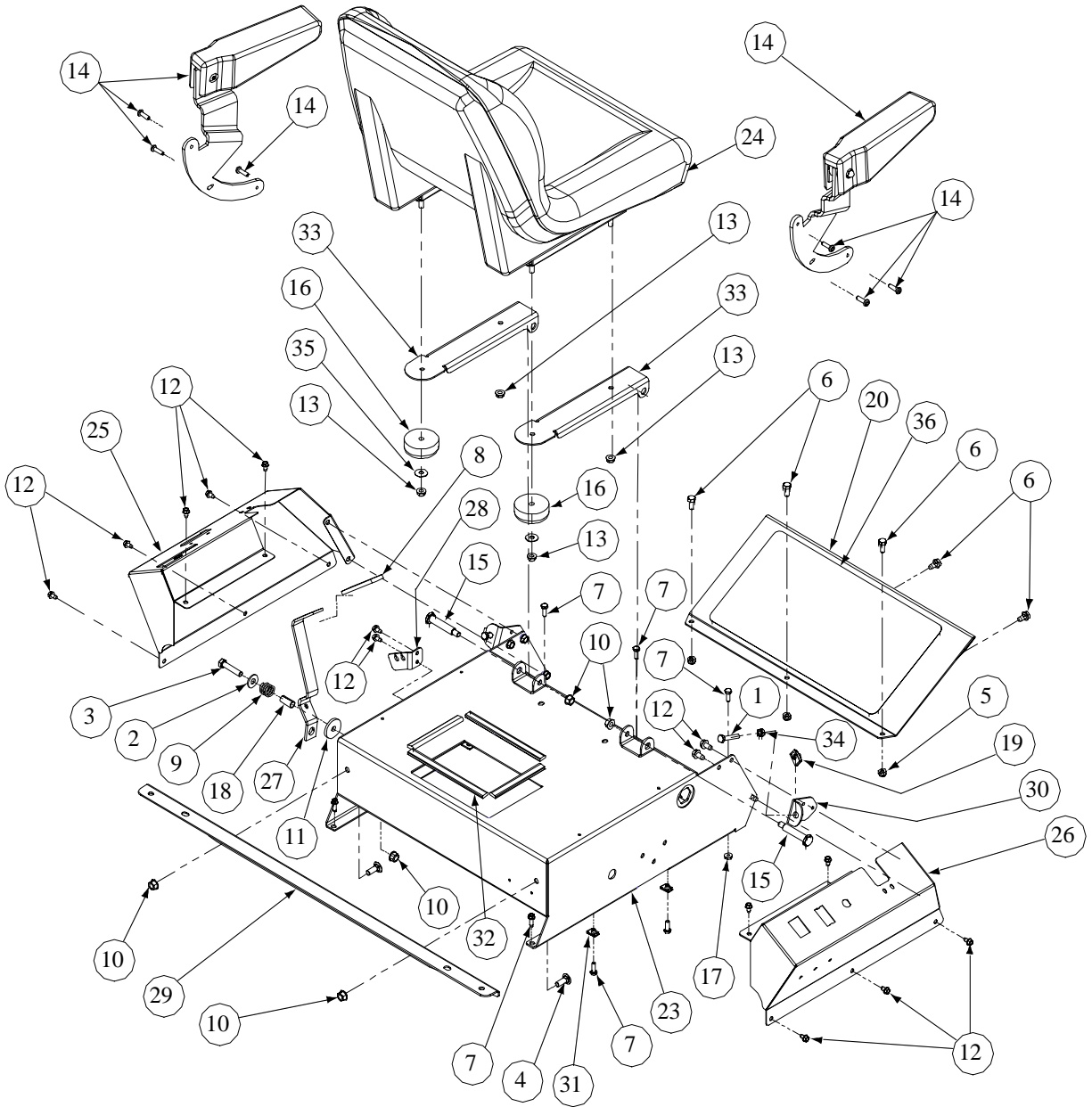


GD: 01008105-P06

44" Control Assembly - Parts List for Figure 5

| Ref. No. | Part No. | Description | Qty. |
|----------|----------|------------------------------------|------|
| 1 | 00012382 | Hex Cap Screw, 5/16-18 x 1-1/2 | 2 |
| 2 | 00083192 | Idler Washer | 1 |
| 3 | 00008495 | Capscrew, 3/8-16 x 1-3/4 | 1 |
| 4 | 01000372 | Carriage Bolt, 3/8-16 | 2 |
| 5 | 00012165 | Nylock Nut, 5/16-18 | 3 |
| 6 | 01008620 | Self Tapping Screw, 5/16-18 x 3/4 | 5 |
| 7 | 01000629 | Self Tapping Screw, 1/4-20 x .75 | 9 |
| 8 | 00013595 | Parking Brake Grip | 1 |
| 9 | 00021797 | Spring, .85 OD x 1 Lg | 1 |
| 10 | 00022560 | Hex Nut, 3/8-16 Flange Lock | 5 |
| 11 | 01000872 | Flat Washer, 1.25 x .411 x .100 | 1 |
| 12 | 01000628 | Screw, 1/4-20 x 1/2 | 20 |
| 13 | 01000635 | Hex Nut, 5/16-18 Flange Lock | 4 |
| 14 | -- | -- | -- |
| 15 | 01002634 | Shoulder Screw, 3/8-16, .5 x 2.345 | 2 |
| 16 | 01002753 | Groment, 2.5 OD x 1.0 Lg | 2 |
| 17 | 01002766 | Hex Nut, 1/4-20 Flange Lock | 3 |
| 18 | 01002772 | Spacer, .375 x .50 x 1.02 | 1 |
| 19 | 01003563 | U-Nut, 5/16-18 | 2 |
| 20 | 01008464 | Foot Rest Bracket | 1 |
| 21 | 01008198 | Left Hand Brake Cable (not shown) | 1 |
| 22 | 01008199 | Right Hand Brake Cable (not shown) | 1 |
| 23 | 01008482 | Control Housing Weldment | 1 |
| 24 | 01008413 | Seat Adjust | 1 |
| 25 | 01010006 | Left Hand Control Console | 1 |
| 26 | 01010007 | Right Hand Control Console | 1 |
| 27 | 01008487 | Parking Brake Lever | 1 |
| 28 | 01008488 | Brake Cable Bracket | 1 |
| 29 | 01008491 | Front Tank Mounting Bracket | 1 |
| 30 | 01008528 | Lapbar Stop Bracket | 2 |
| 31 | 01008539 | U-Nut, 1/4-20 | 4 |
| 32 | 01008572 | Battery Edge Trim | 4 |
| 33 | 01008583 | Seat Mounting Bracket | 2 |
| 34 | 00012166 | Hex Nut, 5/16-18 | 2 |
| 35 | 01000960 | Washer, .325 x .930 x .045 | 2 |
| 36 | 01006528 | Abrasive Foot Pad | 1 |

48" Control Assembly - Figure 6

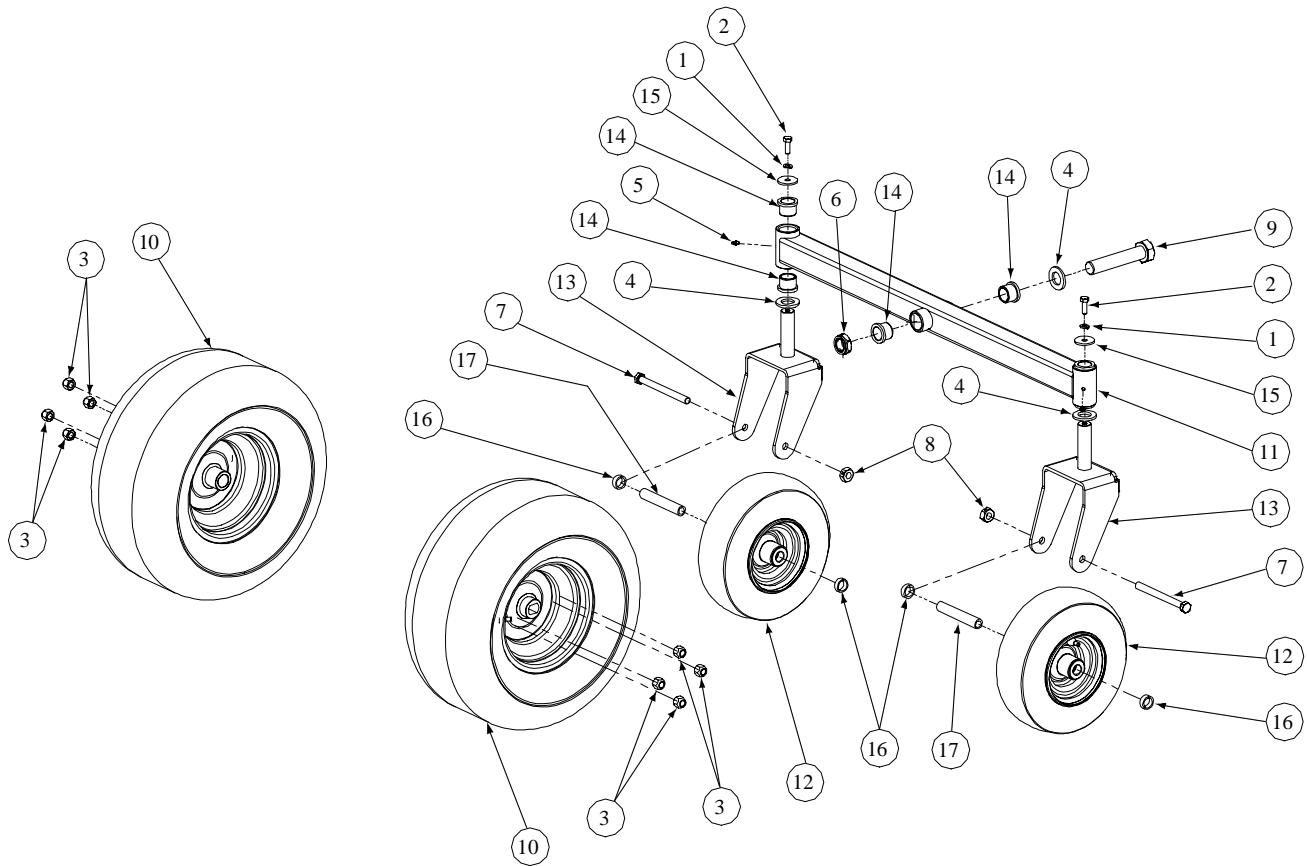


GD: 01009777-P01

48" Control Assembly - Parts List for Figure 6

| Ref. No. | Part No. | Description | Qty. |
|----------|----------|--|------|
| 1 | 00012382 | Hex Cap Screw, 5/16-18 x 1-1/2 | 2 |
| 2 | 00083192 | Idler Washer | 1 |
| 3 | 00008495 | Capscrew, 3/8-16 x 1-3/4 | 1 |
| 4 | 01000372 | Carriage Bolt, 3/8-16 | 2 |
| 5 | 00012165 | Nylock Nut, 5/16-18 | 3 |
| 6 | 01008620 | Self Tapping Screw, 5/16-18 x 3/4 | 5 |
| 7 | 01000629 | Self Tapping Screw, 1/4-20 x .75 | 9 |
| 8 | 00013595 | Parking Brake Grip | 1 |
| 9 | 00021797 | Spring, .85 OD x 1 Lg | 1 |
| 10 | 00022560 | Hex Nut, 3/8-16 Flange Lock | 5 |
| 11 | 01000872 | Flat Washer, 1.25 x .411 x .100 | 1 |
| 12 | 01000628 | Screw, 1/4-20 x 1/2 | 18 |
| 13 | 01000635 | Hex Nut, 5/16-18 Flange Lock | 4 |
| 14 | -- | Kit, Armrest (Available through Whole goods) | 1 |
| 15 | 01002634 | Shoulder Screw, 3/8-16, .5 x 2.345 | 2 |
| 16 | 01002753 | Groment, 2.5 OD x 1.0 Lg | 2 |
| 17 | 01002766 | Hex Nut, 1/4-20 Flange Lock | 3 |
| 18 | 01002772 | Spacer, .375 x .50 x 1.02 | 1 |
| 19 | 01003563 | U-Nut, 5/16-18 | 2 |
| 20 | 01008464 | Foot Rest Bracket | 1 |
| 21 | 01008198 | Left Hand Brake Cable (not shown) | 1 |
| 22 | 01008199 | Right Hand Brake Cable (not shown) | 1 |
| 23 | 01008482 | Control Housing Weldment | 1 |
| 24 | 01008413 | Seat Adjust | 1 |
| 25 | 01010006 | Left Hand Control Console | 1 |
| 26 | 01010007 | Right Hand Control Console | 1 |
| 27 | 01008487 | Parking Brake Lever | 1 |
| 28 | 01008488 | Brake Cable Bracket | 1 |
| 29 | 01008491 | Front Tank Mounting Bracket | 1 |
| 30 | 01008528 | Lapbar Stop Bracket | 2 |
| 31 | 01008539 | U-Nut, 1/4-20 | 4 |
| 32 | 01008572 | Battery Edge Trim | 4 |
| 33 | 01008583 | Seat Mounting Bracket | 2 |
| 34 | 00012166 | Hex Nut, 5/16-18 | 2 |
| 35 | 01000960 | Washer, .325 x .930 x .045 | 2 |
| 36 | 01006528 | Abrasive Foot Pad | 1 |

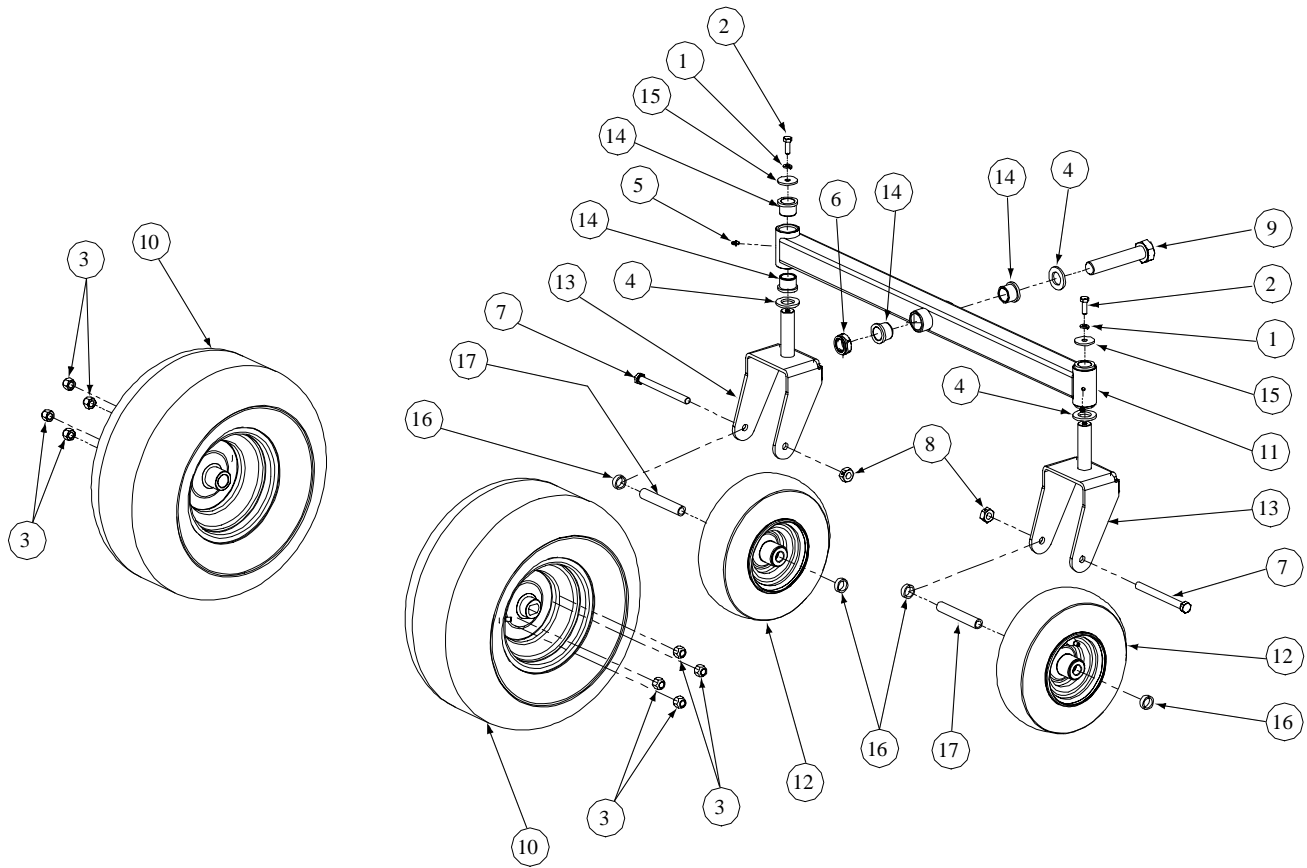
42" Front Caster & Tire Assembly - Figure 7 and Parts List



GD: 01009790-10/30/03

| Ref. No. | Part No. | Description | Qty. |
|----------|-----------|--------------------------------|------|
| 1 | 00012157 | Lock Washer, 3/8 Zinc | 2 |
| 2 | 01000368 | Hex Cap Screw, 3/8-16 x .88 | 2 |
| 3 | 00012187 | Lug Nut, 1/2-20 | 8 |
| 4 | 00023822 | Washer Special | 3 |
| 5 | 00060078 | Grease Fitting, 1/4-28 x 3/16 | 2 |
| 6 | 01000678 | Nut Jam, 1.0-14, Nylon Insert | 1 |
| 7 | 01000745 | Hex Cap Screw, 1/2-20 x 5.50 | 2 |
| 8 | 00023287 | Nut, 1/2-20, Center Lock | 2 |
| 9 | 01006309 | Hex Cap Screw, 1-14 x 5.0 | 1 |
| 10 | 01009827 | Wheel Assembly, 18 x 6.5 | 2 |
| 11 | 01008405 | Front Axle Assembly | 1 |
| 12 | 634-3163 | Front Wheel Assembly | 2 |
| 13 | 01008550 | Castor Wheel Mounting Bracket | 2 |
| 14 | 731-0374 | Flange Bearing, 1.0 ID | 6 |
| 15 | 01009253 | Flat Washer, .390 x 1.5 x .134 | 2 |
| 16 | 00023649 | Spacer, .790 ID x .347 Lg | 4 |
| 17 | 750-3197A | Wheel Spacer | 2 |

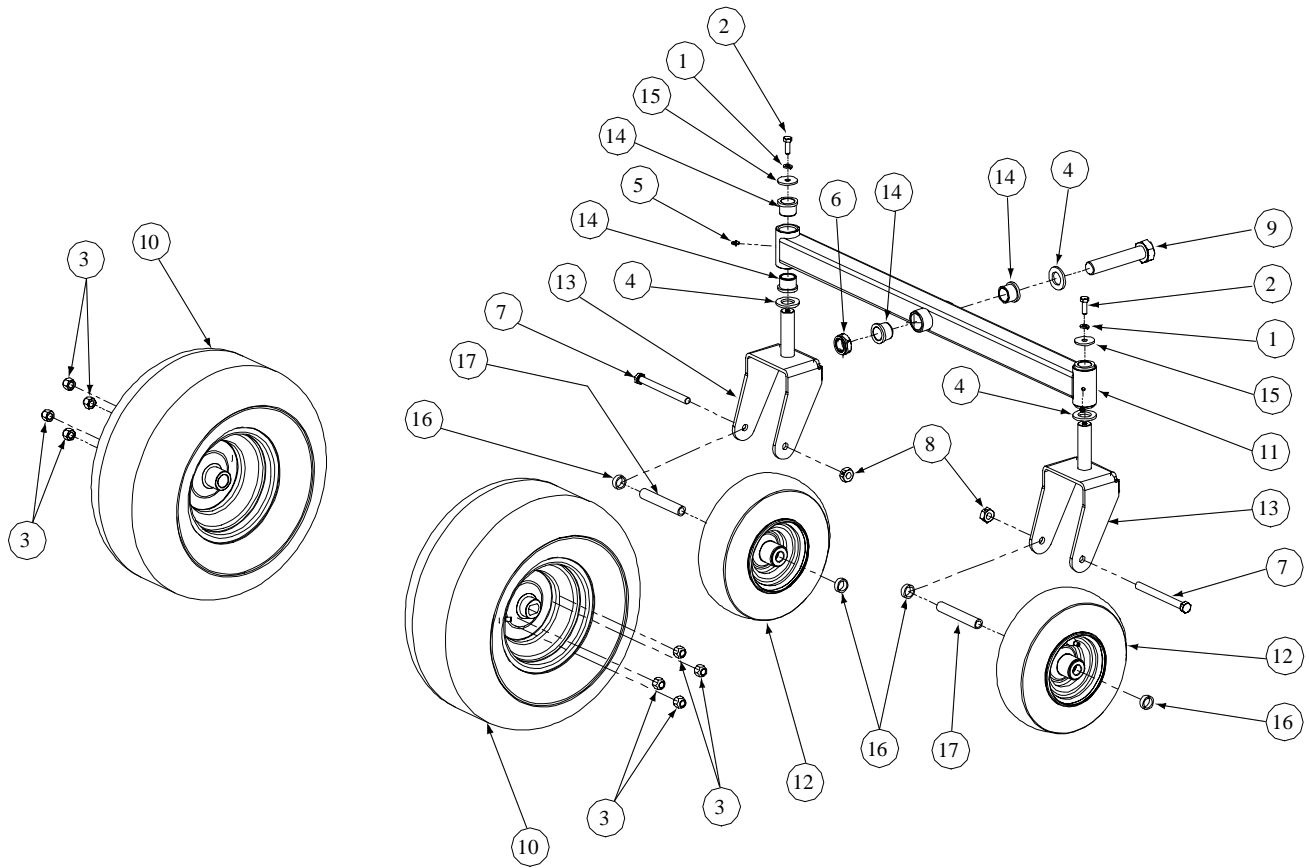
44" Front Caster & Tire Assembly - Figure 8 and Parts List



GD: 01008107-P01

| Ref. No. | Part No. | Description | Qty. |
|----------|-----------|--------------------------------|------|
| 1 | 00012157 | Lock Washer, 3/8 Zinc | 2 |
| 2 | 01000368 | Hex Cap Screw, 3/8-16 x .88 | 2 |
| 3 | 00012187 | Lug Nut, 1/2-20 | 8 |
| 4 | 00023822 | Washer Special | 3 |
| 5 | 00060078 | Grease Fitting, 1/4-28 x 3/16 | 2 |
| 6 | 01000678 | Nut Jam, 1.0-14, Nylon Insert | 1 |
| 7 | 01000745 | Hex Cap Screw, 1/2-20 x 5.50 | 2 |
| 8 | 00023287 | Nut, 1/2-20, Center Lock | 2 |
| 9 | 01006309 | Hex Cap Screw, 1-14 x 5.0 | 1 |
| 10 | 01008320 | Wheel Assembly, 18 x 8.5 | 2 |
| 11 | 01008405 | Front Axle Assembly | 1 |
| 12 | 634-3163 | Front Wheel Assembly | 2 |
| 13 | 01008550 | Castor Wheel Mounting Bracket | 2 |
| 14 | 731-0374 | Flange Bearing, 1.0 ID | 6 |
| 15 | 01009253 | Flat Washer, .390 x 1.5 x .134 | 2 |
| 16 | 00023649 | Spacer, .790 ID x .347 Lg | 4 |
| 17 | 750-3197A | Wheel Spacer | 2 |

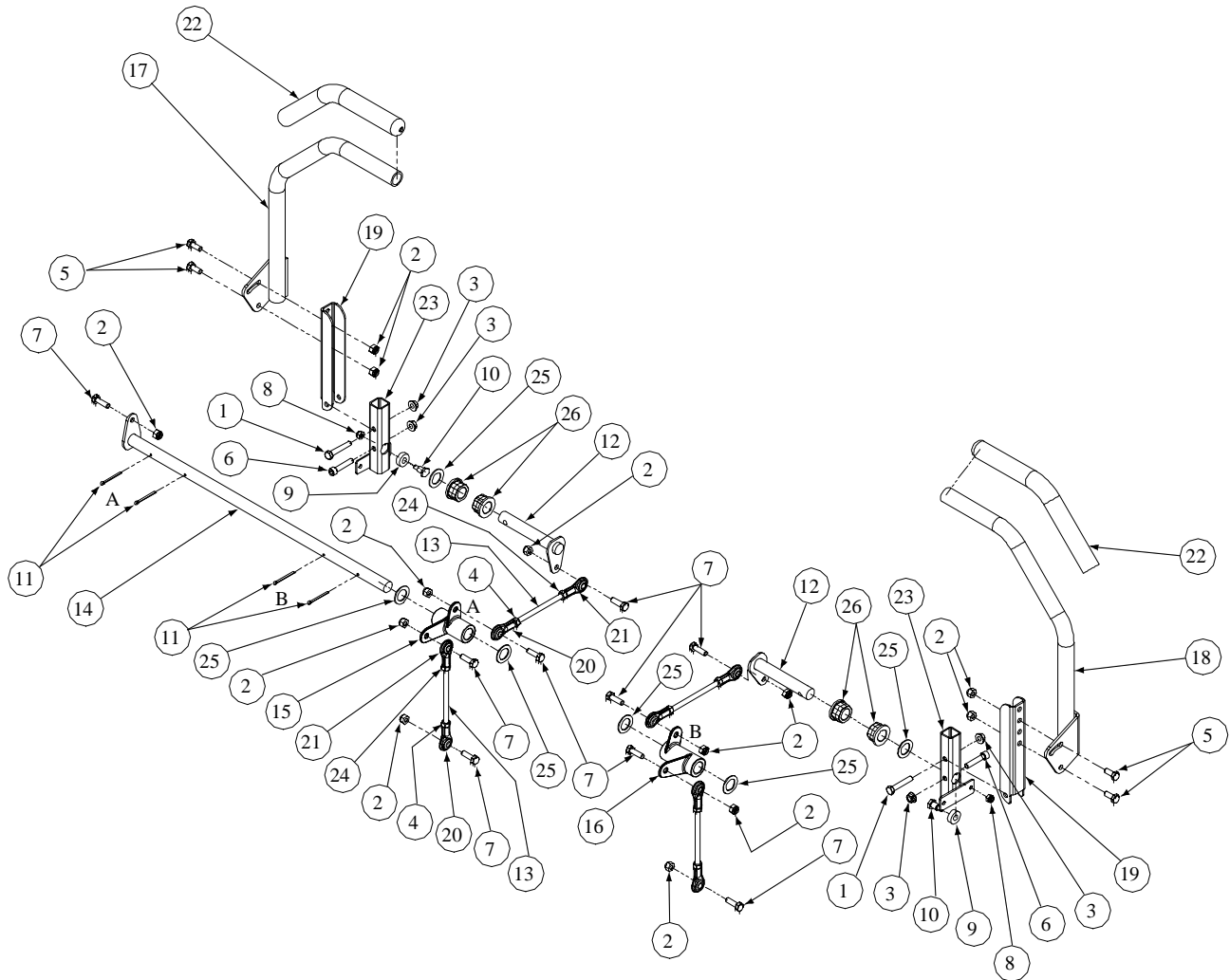
48" Front Caster & Tire Assembly - Figure 9 and Parts List



GD: 01009776-10/14/03

| Ref. No. | Part No. | Description | Qty. |
|----------|-----------|--------------------------------|------|
| 1 | 00012157 | Lock Washer, 3/8 Zinc | 2 |
| 2 | 01000368 | Hex Cap Screw, 3/8-16 x .88 | 2 |
| 3 | 00012187 | Lug Nut, 1/2-20 | 8 |
| 4 | 00023822 | Washer Special | 3 |
| 5 | 00060078 | Grease Fitting, 1/4-28 x 3/16 | 2 |
| 6 | 01000678 | Nut Jam, 1.0-14, Nylon Insert | 1 |
| 7 | 01000745 | Hex Cap Screw, 1/2-20 x 5.50 | 2 |
| 8 | 00023287 | Nut, 1/2-20, Center Lock | 2 |
| 9 | 01006309 | Hex Cap Screw, 1-14 x 5.0 | 1 |
| 10 | 01009828 | Wheel Assembly, 18 x 9.5 | 2 |
| 11 | 01008405 | Front Axle Assembly | 1 |
| 12 | 634-3163 | Front Wheel Assembly | 2 |
| 13 | 01008550 | Castor Wheel Mounting Bracket | 2 |
| 14 | 731-0374 | Flange Bearing, 1.0 ID | 6 |
| 15 | 01009253 | Flat Washer, .390 x 1.5 x .134 | 2 |
| 16 | 00023649 | Spacer, .790 ID x .347 Lg | 4 |
| 17 | 750-3197A | Wheel Spacer | 2 |

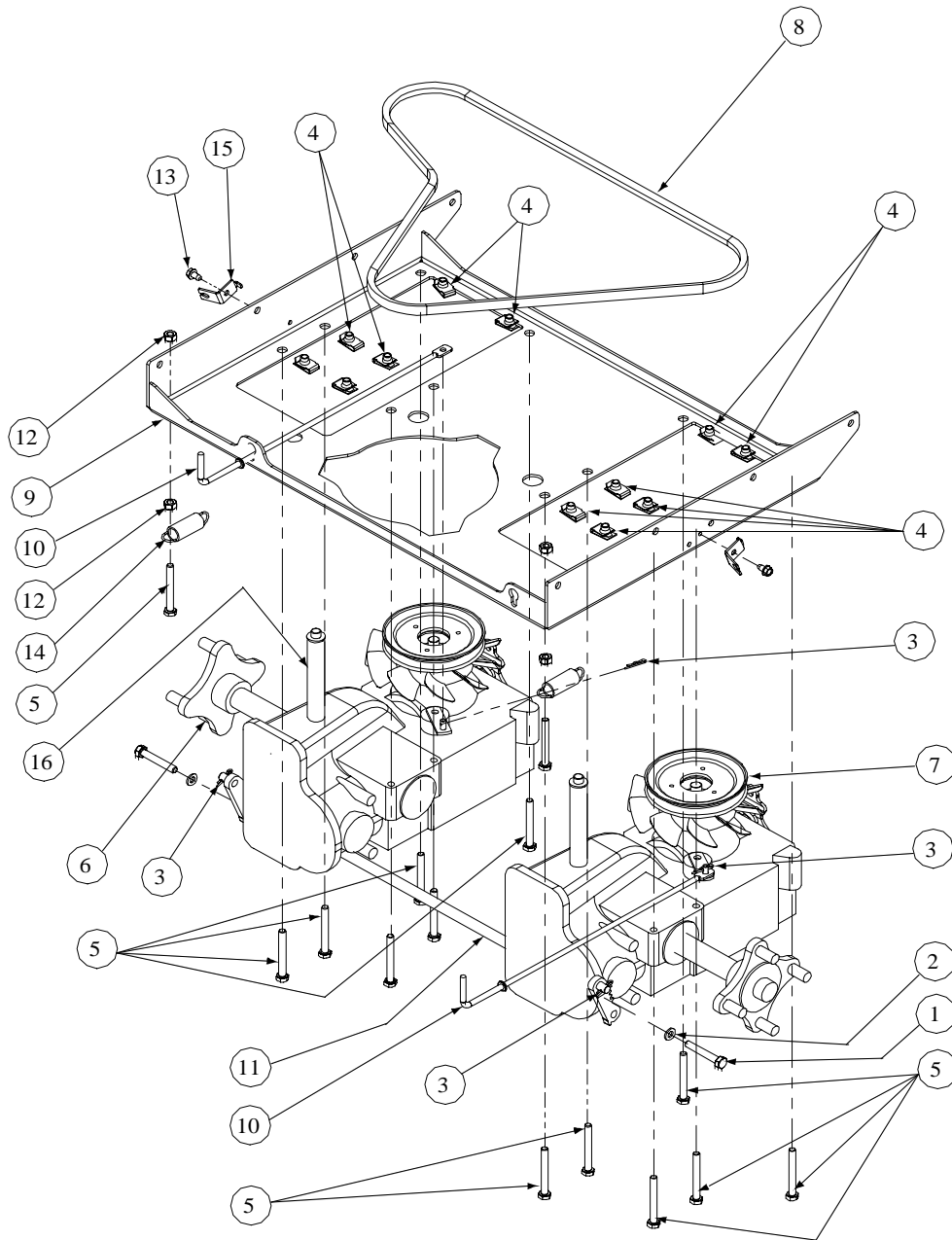
Steering Assembly -Figure 10 and Parts List



GD: 01008108-P00

| Ref. No. | Part No. | Description | Qty. | Ref. No. | Part No. | Description | Qty. | |
|----------|----------|---------------------------------------|------|----------|----------|-------------|--|---|
| 1 | 00006129 | Hex Cap Screw, 5/16-18 x 1-3/4 | | 2 | 14 | 01008432 | Bellcrank Steering Shaft Assembly | 1 |
| 2 | 00012165 | Nut, 5/16-18, Nylock | | 13 | 15 | 01008840 | Steering Bellcrank Assembly Left Hand | 1 |
| 3 | 01000635 | Nut, 5/16-18, Lock | | 4 | 16 | 01008841 | Steering Bellcrank Assembly Right Hand | 1 |
| 4 | 00012167 | Hex Nut, 5/16-24 | | 4 | 17 | 01008425 | Steering Handle Assembly Left Hand | 1 |
| 5 | 00012179 | Hex Cap Screw, 5/16-18 x 3/4 | | 4 | 18 | 01008426 | Steering Handle Assembly Right Hand | 1 |
| 6 | 01008600 | Capscrew, 5/16-18 x 1.50, Socket Head | | 2 | 19 | 01008165 | Steering Pivot Bracket | 2 |
| 7 | 00013092 | Hex Cap Screw, 5/16-18 x 1.0 | | 9 | 20 | 01008410 | Rod End, 5/16, Right Hand | 4 |
| 8 | 00014081 | Nut, 1/4-28, SS, Nylon Insert | | 2 | 21 | 01008551 | Rod End, 5/16, Left Hand | 4 |
| 9 | 00071691 | Control Rod Spacer | | 2 | 22 | 01008552 | Lap Bar Grip | 2 |
| 10 | 01001919 | Shoulder Screw, 1/4-28 | | 2 | 23 | 01008458 | Pivot Bracket Weldment | 2 |
| 11 | 00003107 | Cotter Pin, .125 Dia. x 1.0 | | 4 | 24 | 01008576 | Hex Nut, 5/16-24, Left Hand | 4 |
| 12 | 01008433 | Steering Input Shaft Assembly | | 2 | 25 | 736-0287 | Flat Washer, .793 ID x 1.24 OD x .060 | 6 |
| 13 | 01008149 | Steering Link Rod | | 4 | 26 | 741-0598 | Hex Flange Bearing, .752 ID | 4 |

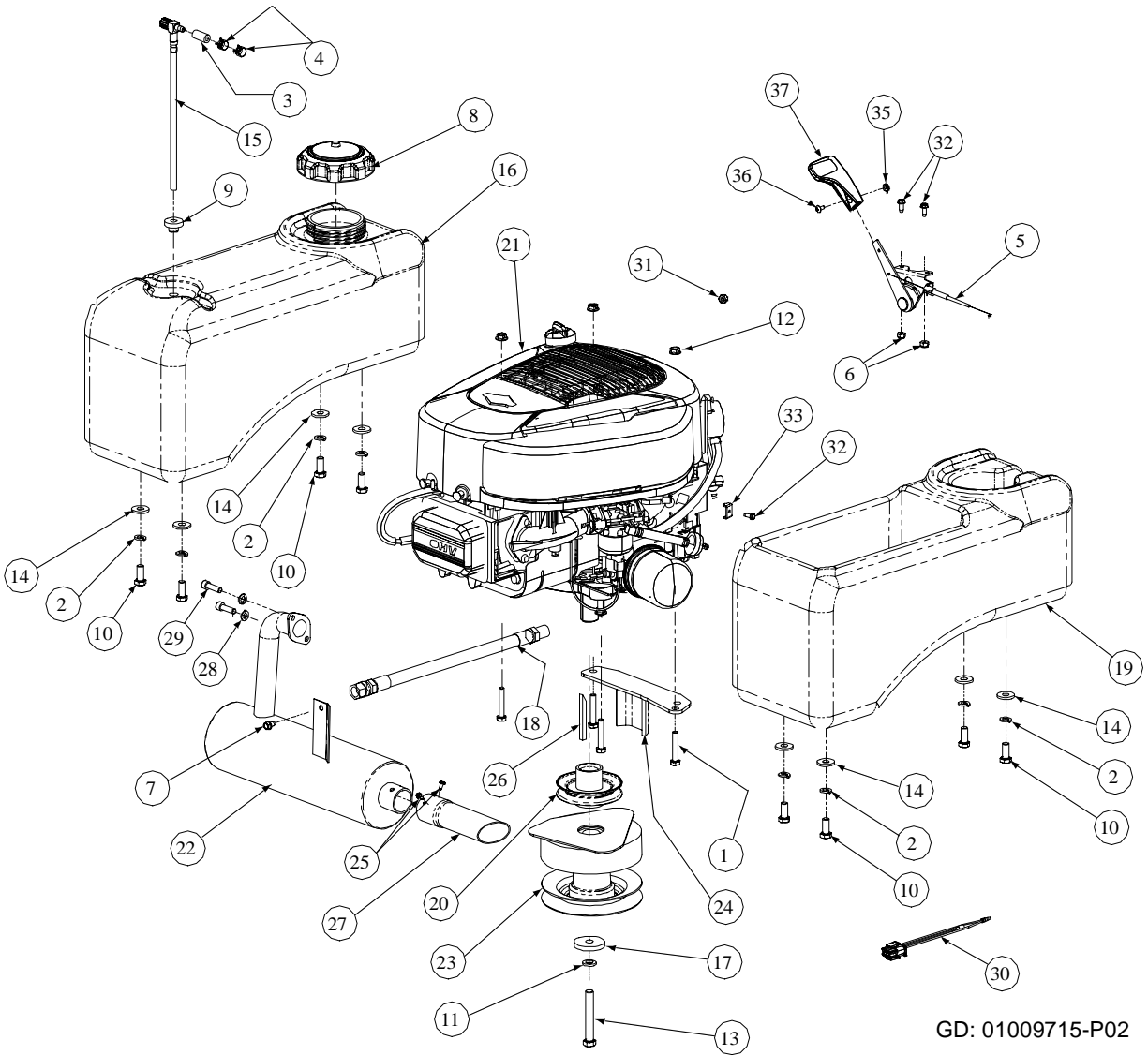
Drive Train Assembly- Figure 11 and Parts List



GD: 01008106-2/11/03

| Ref. No. | Part No. | Description | Qty. | Ref. No. | Part No. | Description | Qty. |
|----------|----------|--------------------------------|------|----------|----------|------------------------------------|------|
| 1 | 00013198 | Hex Cap Screw, 5/16-18 x 2.0 | 2 | 10 | 01008380 | Pump Rod | 2 |
| 2 | 00012169 | Flat Washer, .320 ID x .591 OD | 2 | 11 | 01008414 | Transmission Brace Tube | 1 |
| 3 | 01002771 | Cotter Pin, .072 x 1.12 Lg | 4 | 12 | 00012166 | Nut, 5/16-18 | 4 |
| 4 | 01003563 | U-Nut, 5/16-18 | 12 | 13 | 01000628 | Screw, 1/4-20 x 1/2 | 2 |
| 5 | 01007122 | Hex Cap Screw, 5/16-18 x 2.5 | 14 | 14 | 01008758 | Extension Spring, 1.0 OD x 5.000 | 2 |
| 6 | 01008192 | IZT Transmission, Left Hand | 1 | 15 | 01008611 | Brake Cable Mounting Bracket | 2 |
| 7 | 01008193 | IZT Transmission, Right Hand | 1 | 16 | HG-51401 | Hose, 1/2 Dia. x 4" Long includes: | 1 |
| 8 | 01008349 | V-Belt, 56.00 | 1 | | HG-70110 | O-Ring Fitting Assembly | 1 |
| 9 | 01008461 | Transmission Mounting Bracket | 1 | | HG-70109 | Cap Vent Assembly | 1 |

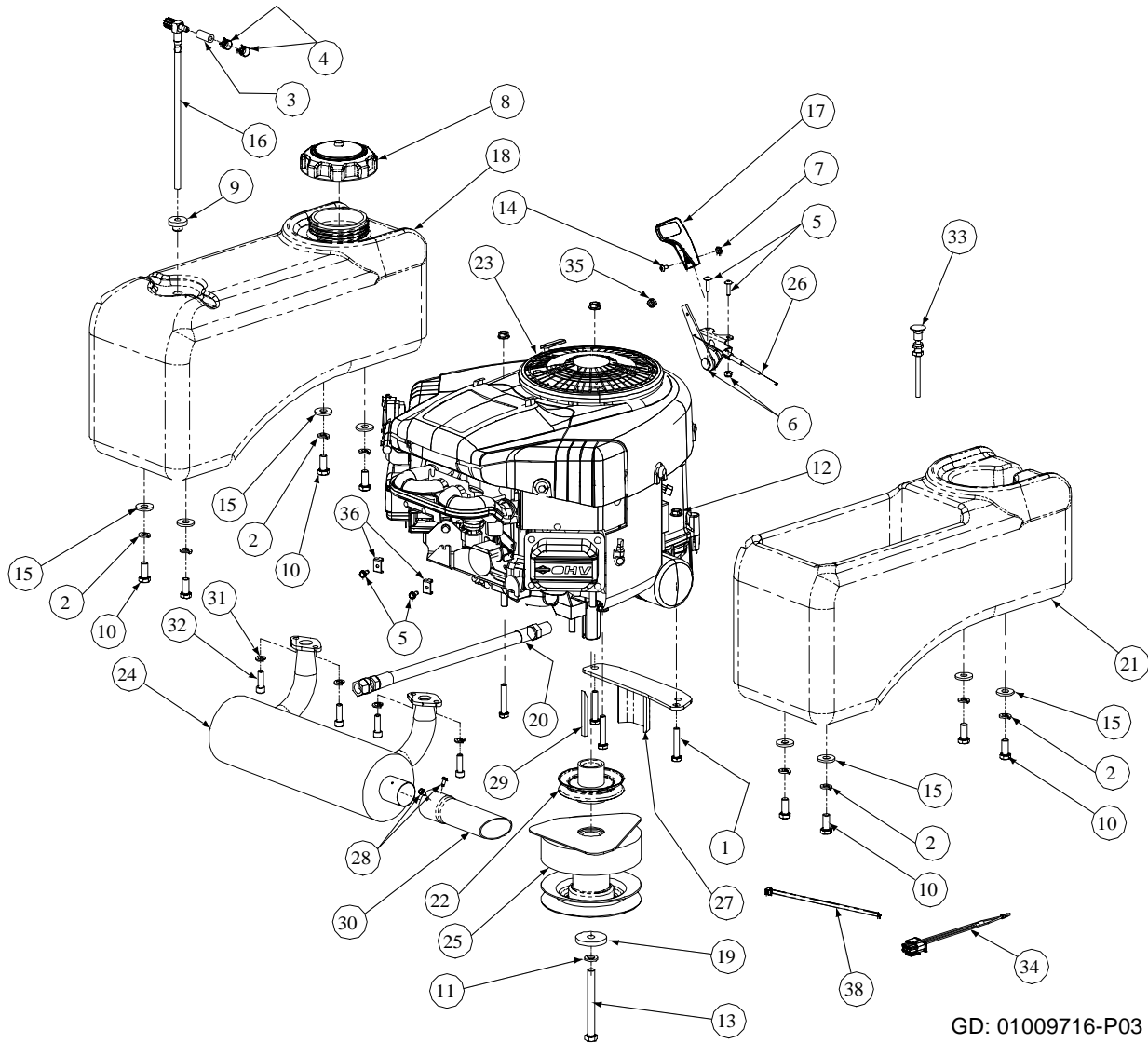
18.5HP Briggs Engine Assembly - Figure 12 and Parts List



GD: 01009715-P02

| Ref No | Part No. | Description | Qty. | Ref No | Part No. | Description | Qty. |
|--------|----------|---------------------------------------|------|--------|----------|---------------------------------------|------|
| 1 | 00006129 | Hex Head Cap Screw, 5/16-18 x 1-3/4 | 4 | 20 | 01008808 | Electric PTO Engine Pulley | 1 |
| 2 | 00012157 | Lock Washer, 3/8 Zinc | 8 | 21 | 01009770 | 18.5HP Briggs Engine | 1 |
| 3 | -- | Hose, 1/4" Fuel Line | 1 | 22 | 01009837 | Briggs Muffler | 1 |
| 4 | 00012235 | Clamp, Union | 2 | 23 | 01008544 | Ogura JD08 Electric Clutch | 1 |
| 5 | 01003272 | Throttle Control Cable | 1 | 24 | 01008640 | Clutch Retainer Assembly | 1 |
| 6 | 00014608 | Lock Nut, Nylon Insert, 10-32 | 2 | 25 | 01000811 | Screw, 8-32 x .375, Hex Washer | 2 |
| 7 | 01000628 | Self Tapping Screw, 1/4-20 x 1/2 | 1 | 26 | 01007533 | Key, 1/4 x 1/4 x 2.75 | 1 |
| 8 | 01000069 | Fuel Cap | 1 | 27 | 01008623 | Exhaust Pipe | 1 |
| 9 | 01000281 | Fuel Tank Groment | 1 | 28 | 00012168 | Lock Washer, 5/16 | 2 |
| 10 | 01000368 | Hex Cap Screw, 3/8-16 x .88 | 8 | 29 | 01009142 | Socket Head Cap Screw, 5/16-18 x 1.00 | 2 |
| 11 | 01000389 | Lock Washer, 7/16 | 1 | 30 | 01009826 | Harness Adaptor | 1 |
| 12 | 01000635 | Lock Nut, Hex Flange, 5/16-18 | 4 | 31 | 00023041 | Starter Side Lock Nut 1/4-20 | 1 |
| 13 | 01008637 | Hex Cap Screw, 7/16-20 x 4.0 | 1 | 32 | 01008531 | Screw, #10-32 x 0.500 | 3 |
| 14 | 01000723 | Flat Washer, .406 ID x 1.0 OD x .105 | 8 | 33 | 01002070 | Throttle Cable Clamp | 1 |
| 15 | 01003116 | Fuel Pickup Fitting | 1 | 34 | 01001811 | HourMeter Harness (not shown) | 1 |
| 16 | 01004350 | Fuel Tank | 1 | 35 | 00060056 | Nut, 8-32 | 1 |
| 17 | 01003269 | Flat Washer, 7/16 ID x 1.75 OD x .250 | 1 | 36 | 01000721 | Machine Screw, 8-32 x .375 | 1 |
| 18 | 01003283 | Oil Drain Extension Hose | 1 | 37 | 01004004 | Throttle Control knob | 1 |
| 19 | 01008138 | Utility Bin | 1 | | | | |

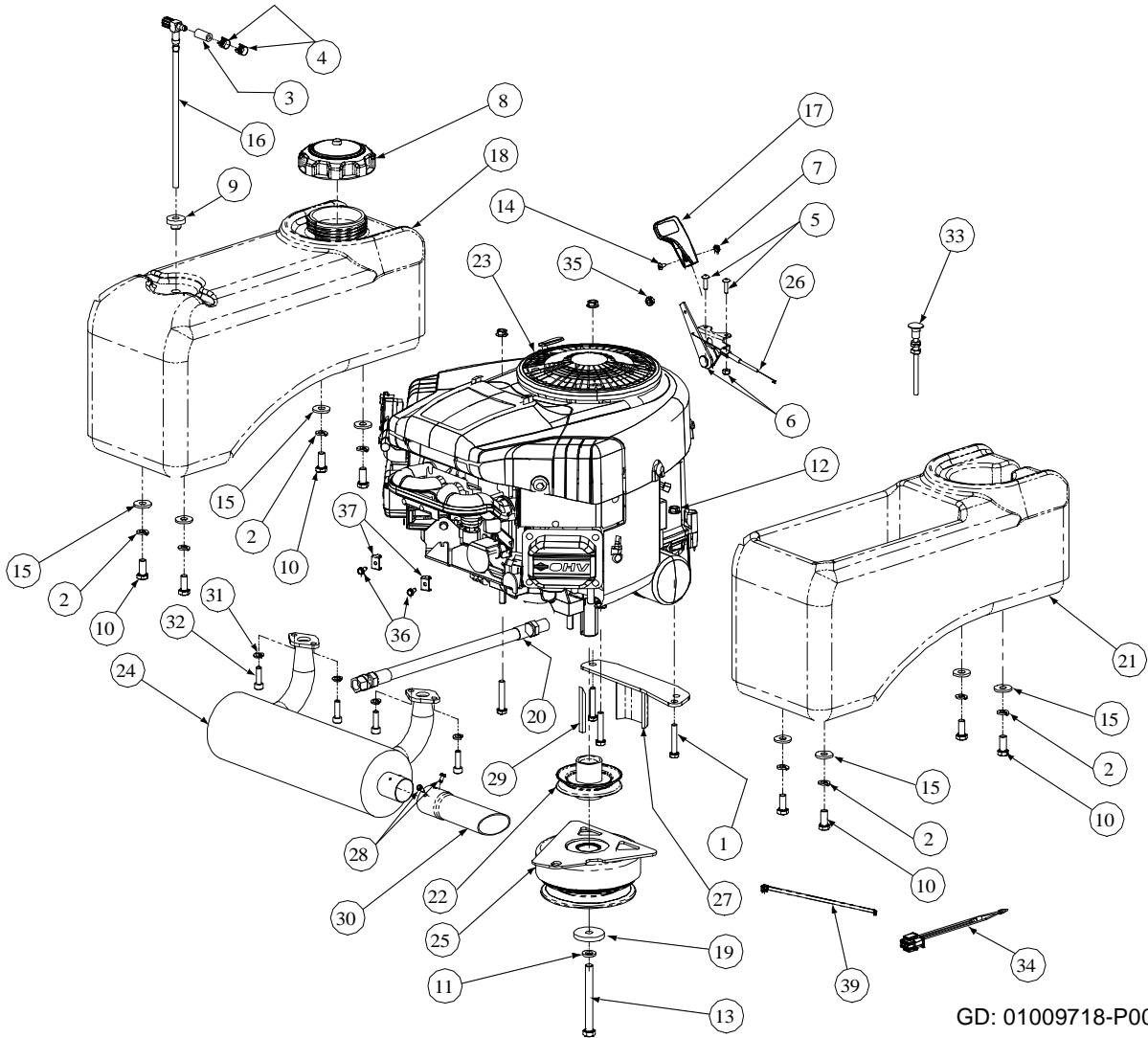
20HP Briggs Engine Assembly - Figure 13 and Parts List



GD: 01009716-P03

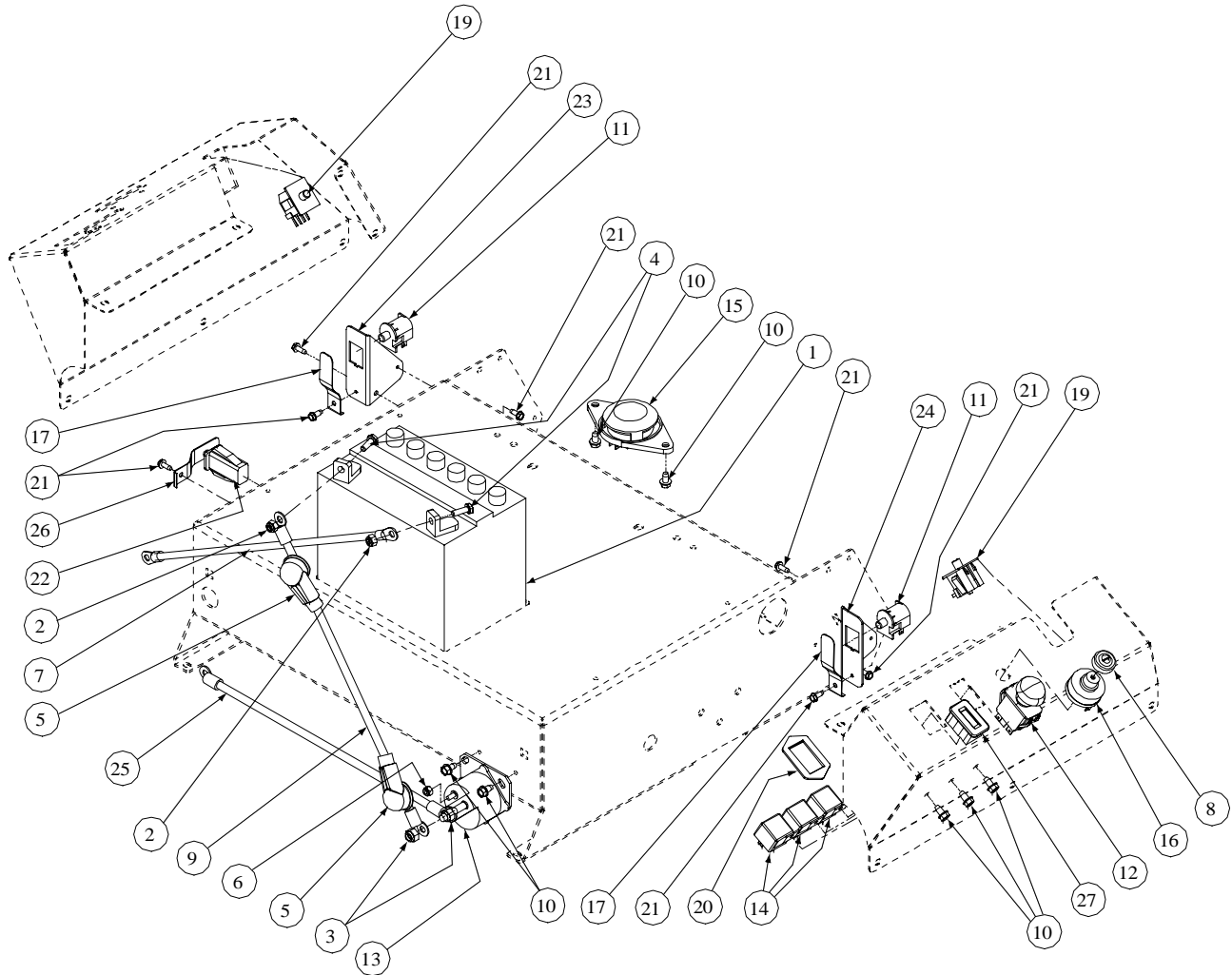
| Ref No | Part No. | Description | Qty. | Ref No | Part No. | Description | Qty. |
|--------|----------|---------------------------------------|------|--------|----------|---------------------------------------|------|
| 1 | 00006129 | Hex Head Cap Screw, 5/16-18 x 1-3/4 | 4 | 20 | 01003283 | Oil Drain Extension Hose | 1 |
| 2 | 00012157 | Lock Washer, 3/8 Zinc | 8 | 21 | 01008138 | Utility Bin | 1 |
| 3 | -- | Hose, 1/4" Fuel Line | 1 | 22 | 01008808 | Electric PTO Engine Pulley | 1 |
| 4 | 00012235 | Clamp, Union | 2 | 23 | 01009724 | 20HP Briggs Engine | 1 |
| 5 | 01008531 | Self Tapping Screw, 10-32 x 1/2 | 4 | 24 | 01008902 | Briggs Muffler | 1 |
| 6 | 00014608 | Lock Nut, Nylon Insert, 10-32 | 2 | 25 | 01008544 | Ogura JD08 Electric Clutch | 1 |
| 7 | 00060056 | Nut, w/ Star Washer | 1 | 26 | 01003272 | Throttle Control Cable | 1 |
| 8 | 01000069 | Fuel Cap | 1 | 27 | 01008640 | Clutch Retainer Assembly | 1 |
| 9 | 01000281 | Fuel Tank Groment | 1 | 28 | 01000811 | Screw, 8-32 x .375, Hex Washer | 2 |
| 10 | 01000368 | Hex Cap Screw, 3/8-16 x .88 | 8 | 29 | 01007533 | Key, 1/4 x 1/4 x 2.75 | 1 |
| 11 | 01000389 | Lock Washer, 7/16 | 1 | 30 | 01008623 | Exhaust Pipe | 1 |
| 12 | 01000635 | Lock Nut, Hex Flange, 5/16-18 | 4 | 31 | 00012168 | Lock Washer, 5/16 | 4 |
| 13 | 01008637 | Hex Cap Screw, 7/16-20 x 4.0 | 1 | 32 | 01009142 | Socket Head Cap Screw, 5/16-18 x 1.00 | 4 |
| 14 | 01000721 | Machine Screw, 8-32 x .375 | 1 | 33 | 01004020 | Choke Cable | 1 |
| 15 | 01000723 | Flat Washer, .406 ID x 1.0 OD x .105 | 8 | 34 | 01009826 | Harness Adaptor | 1 |
| 16 | 01003116 | Fuel Pickup Fitting | 1 | 35 | 00023041 | Starter Side Lock Nut 1/4-20 | 1 |
| 17 | 01004004 | Throttle Control Knob | 1 | 36 | 01002070 | Throttle Cable Clamp | 2 |
| 18 | 01004350 | Fuel Tank | 1 | 37 | 01001811 | HourMeter Harness (not shown) | 1 |
| 19 | 01005314 | Flat Washer, 7/16 ID x 1.75 OD x .250 | 1 | 38 | 00012470 | Cable Tie, 3/16 x .05 x 7.4 | 1 |

22HP Briggs Engine Assembly - Figure 14 and Parts List



| Ref No | Part No. | Description | Qty. | Ref No | Part No. | Description | Qty. |
|--------|----------|---------------------------------------|------|--------|----------|---------------------------------------|------|
| 1 | 00006129 | Hex Head Cap Screw, 5/16-18 x 1-3/4 | 4 | 21 | 01008138 | Utility Bin | 1 |
| 2 | 00012157 | Lock Washer, 3/8 Zinc | 8 | 22 | 01008808 | Electric PTO Engine Pulley | 1 |
| 3 | -- | Hose, 1/4" Fuel Line | 1 | 23 | 01009769 | 22HP Briggs Engine | 1 |
| 4 | 00012235 | Clamp, Union | 2 | 24 | 01008902 | Briggs Muffler | 1 |
| 5 | 01008531 | Self Tapping Screw, 10-32 x 1/2 | 2 | 25 | 01008434 | Ogura DX11 Electric Clutch | 1 |
| 6 | 00014608 | Lock Nut, Nylon Insert, 10-32 | 2 | 26 | 01003272 | Throttle Control Cable | 1 |
| 7 | 00060056 | Nut, w/ Star Washer | 1 | 27 | 01008640 | Clutch Retainer Assembly | 1 |
| 8 | 01000069 | Fuel Cap | 1 | 28 | 01000811 | Screw, 8-32 x .375, Hex Washer | 2 |
| 9 | 01000281 | Fuel Tank Groment | 1 | 29 | 01007533 | Key, 1/4 x 1/4 x 2.75 | 1 |
| 10 | 01000368 | Hex Cap Screw, 3/8-16 x .88 | 8 | 30 | 01008623 | Exhaust Pipe | 1 |
| 11 | 01000389 | Lock Washer, 7/16 | 1 | 31 | 00012168 | Lock Washer, 5/16 | 4 |
| 12 | 01000635 | Lock Nut, Hex Flange, 5/16-18 | 4 | 32 | 01009142 | Socket Head Cap Screw, 5/16-18 x 1.00 | 4 |
| 13 | 01000813 | Hex Cap Screw, 7/16-20 x 3.0 | 1 | 33 | 01004020 | Choke Cable | 1 |
| 14 | 01000721 | Machine Screw, 8-32 x .375 | 1 | 34 | 01009826 | Harness Adaptor | 1 |
| 15 | 01000723 | Flat Washer, .406 ID x 1.0 OD x .105 | 8 | 35 | 00023041 | Starter Side Lock Nut 1/4-20 | 1 |
| 16 | 01003116 | Fuel Pickup Fitting | 1 | 36 | 01008531 | Screw, #10-32 x 0.500 | 2 |
| 17 | 01004004 | Throttle Control Knob | 1 | 37 | 01002070 | Throttle Cable Clamp | 2 |
| 18 | 01004350 | Fuel Tank | 1 | 38 | 01001811 | HourMeter Harness | 1 |
| 19 | 01005314 | Flat Washer, 7/16 ID x 1.75 OD x .250 | 1 | 39 | 00012470 | Cable Tie, 3/16 x .05 x 7.4 | 1 |
| 20 | 01003283 | Oil Drain Extension Hose | 1 | | | | |

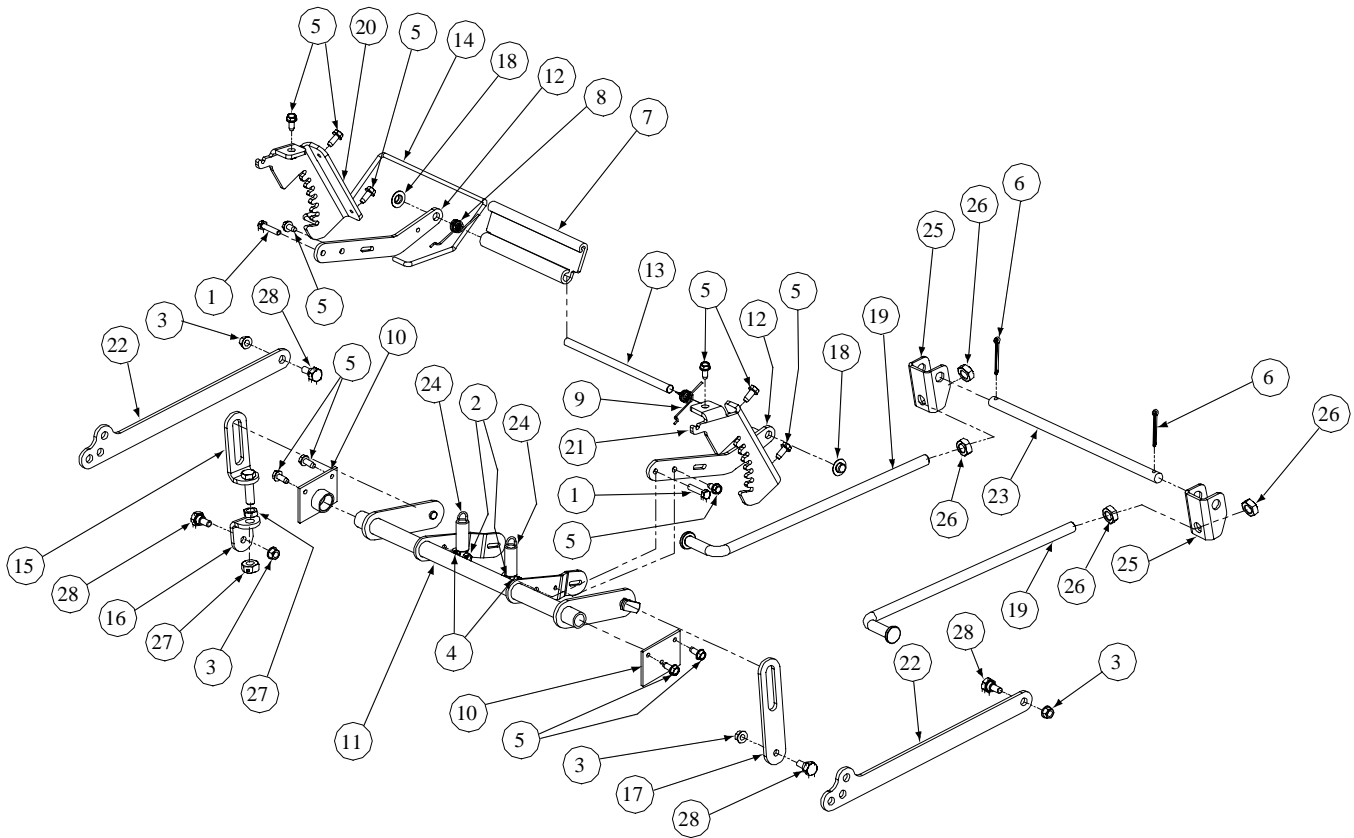
Electrical Assembly - Figure 15 and Parts List



GD: 01009720-P01

| Ref. No. | Part No. | Description | Qty. | Ref. No. | Part No. | Description | Qty. |
|----------|----------|------------------------------------|------|----------|----------|------------------------------------|------|
| 1 | 00012032 | Battery, 12V 225CCA 30Min | 1 | 15 | 01003277 | Normally Closed Seat Switch | 1 |
| 2 | 00012152 | Lock Nut, Nylon Insert, 1/4-20 | 2 | 16 | 01003581 | Switch, Ignition, 6 Pin | 1 |
| 3 | 00012165 | Nut, 5/16-18, Nylock | 2 | 17 | 01008042 | Safety Switch Retainer Spring | 2 |
| 4 | 00013131 | Hex Cap Screw, 1/4-20 x .75 | 2 | 18 | 01008375 | Harness Assembly (not shown) | 1 |
| 5 | 00013258 | Boot, 1" OD Rubber Battery-PST Red | 2 | 19 | 01008386 | Neutral Switch | 2 |
| 6 | 00014608 | Lock Nut, Nylon Insert, 10-32 | 1 | 20 | 01009905 | PTO Switch Bracket | 1 |
| 7 | 00024233 | Cable, Battery, Black, 17" | 1 | 21 | 01008531 | Self Tapping Screw, 10-32 x 1/2 | 7 |
| 8 | 00032097 | Nut, 5/8-32, w/Cap | 1 | 22 | 01008571 | Switch, Plunger | 1 |
| 9 | 00095773 | Cable, Battery, Red, 15" | 1 | 23 | 01008614 | Bracket, Safety Switch, Left Hand | 1 |
| 10 | 01000628 | Self Tapping Screw, 1/4-20 x 1/2 | 7 | 24 | 01008615 | Bracket, Safety Switch, Right Hand | 1 |
| 11 | 01001717 | Normally Closed Safety Switch | 2 | 25 | 01002252 | Cable, Battery, Red, 24" | 1 |
| 12 | 01002111 | Electric PTO Switch | 1 | 26 | 01009309 | Brake Retainer Spring | 1 |
| 13 | 01002228 | Solenoid | 1 | 27 | 01009768 | Hour Meter | 1 |
| 14 | 01002251 | Relay, 12V 40A | 3 | | | | |

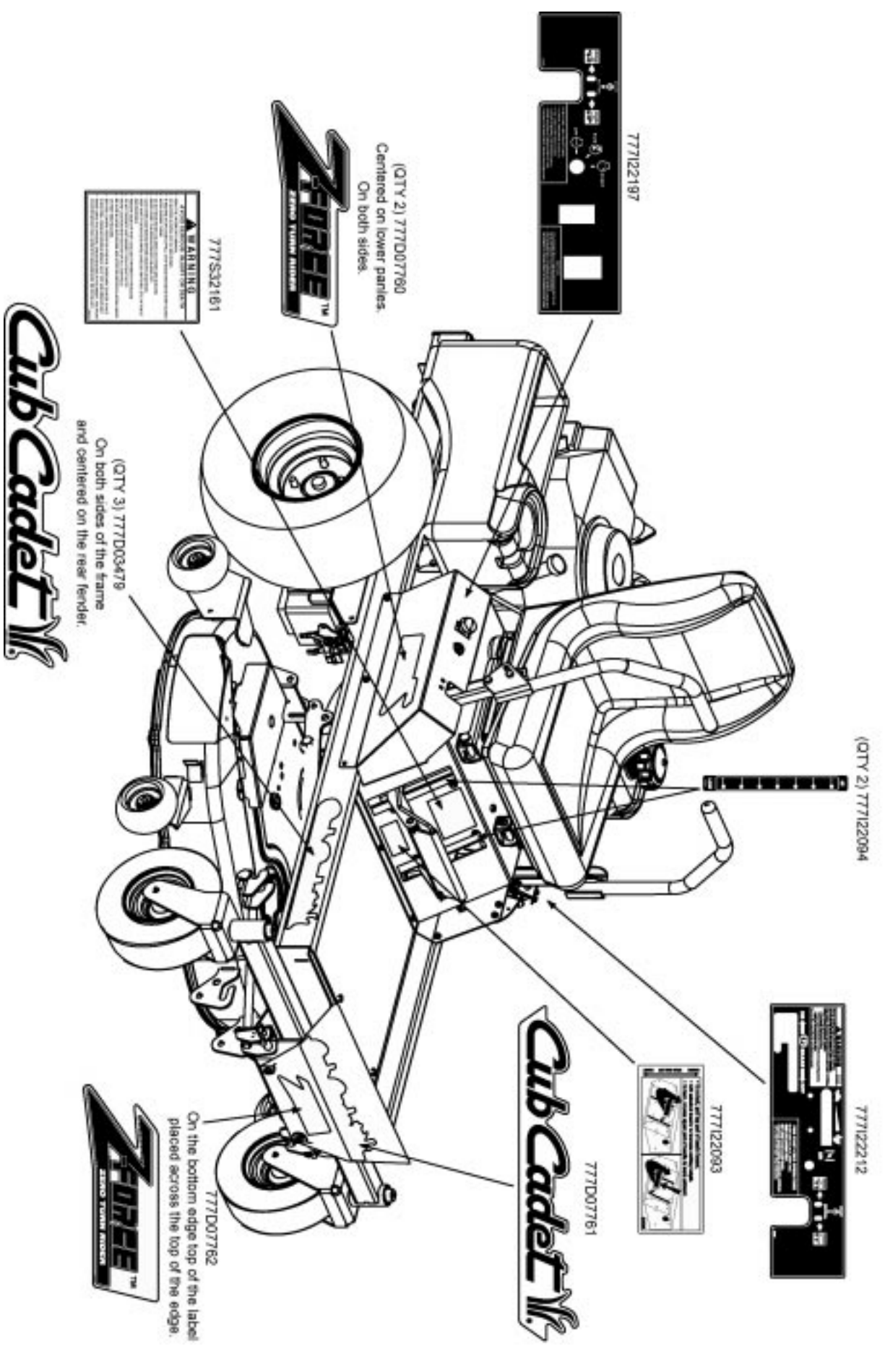
Lift Assembly - Figure 16 and Parts List



GD: 01008109-10/22/03
GD: 01009722-11/21/03

| Ref. No. | Part No. | Description | Qty. | Ref. No. | Part No. | Description | Qty. |
|----------|----------|-------------------------------------|------|----------|----------|-----------------------------------|------|
| 1 | 00012382 | Hex Cap Screw, 5/16-18 x 1-1/2 | 2 | 16 | 01008183 | Lower Lift Bracket, Left Hand | 1 |
| 2 | 00022547 | Nut, 5/16-18, Center Lock | 2 | 17 | 01008186 | Link Lift PLate, Right Hand | 1 |
| 3 | 00022560 | Nut, 3/8-16, Hex Flange Lock | 3 | 18 | 01008187 | Cap Lift Push Nut | 2 |
| 4 | 00012166 | Hex Nut, 5/16-18 | 2 | 19 | 01008382 | Front Lift Rod | 2 |
| 5 | 01008620 | Self Tapping Screw, 5/16-18 x 3/4 | 12 | 20 | 01008188 | Lift Index Weldment, Left Hand | 1 |
| 6 | 00060018 | Cotter Pin, 3/16 x 1-1 | 2 | 21 | 01008189 | Lift Index Weldment, Right Hand | 1 |
| 7 | 01008139 | Deck Lift Handle | 1 | 22 | 01008465 | Rear Lift Arm | 2 |
| 8 | 01008140 | Deck Lift Spring, Left Hand | 1 | 23 | 01008557 | Front Lift Rod | 1 |
| 9 | 01008141 | Deck Lift Spring, Right Hand | 1 | 24 | 01008573 | Lift Spring | 2 |
| 10 | 01008477 | Lift Hub Assembly | 2 | 25 | 01008638 | Front Lift Bracket (44" & 48") | 2 |
| 11 | 01008459 | Lift Shaft Assembly | 1 | | 01009712 | Front Lift Bracket (42") | 2 |
| 12 | 01008494 | Handle Lift Arm | 2 | 26 | 00035632 | Jam Nut, 5/8-11 | 4 |
| 13 | 01008175 | Lift Handle Rod | 1 | 27 | 01008658 | Jam Nut, 1/2-20 | 2 |
| 14 | 01008176 | Lift Rod Index | 1 | 28 | 738-3151 | Shoulder Screw, 3/8-16, .56 x .27 | 4 |
| 15 | 01008467 | Upper Link Lift Assembly, Left Hand | 1 | | | | |

Decal Map



777122197

(QTY 2) 777D07760
Centered on lower panels.
On both sides.



777S32161



(QTY 3) 777D03479
On both sides of the frame
and centered on the rear fender.



(QTY 2) 777122094



777122212



777122093



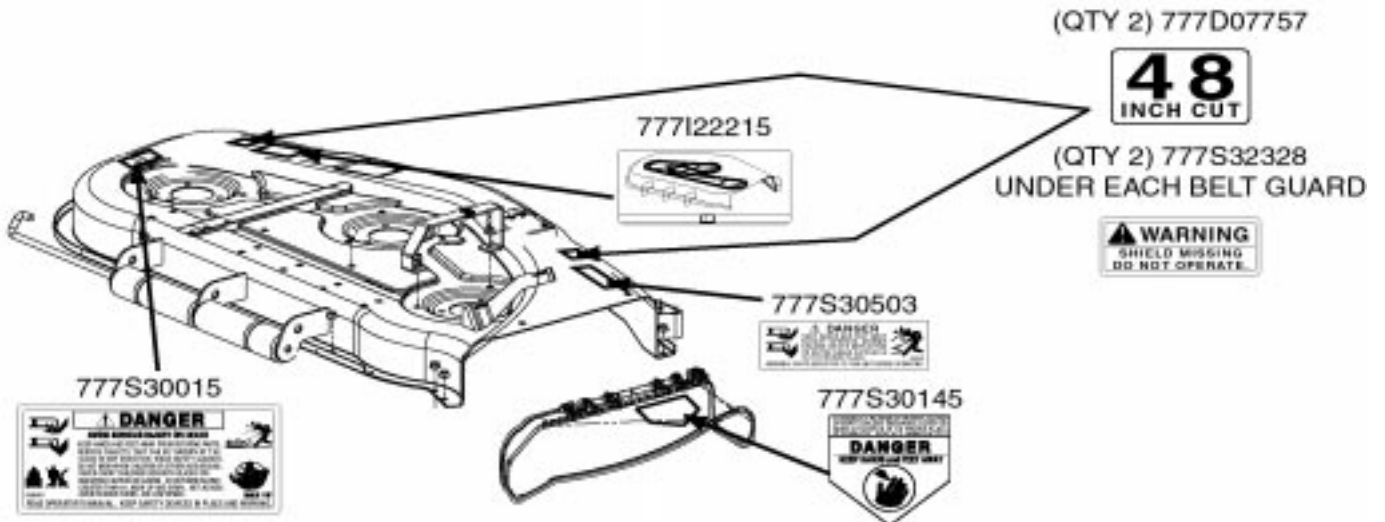
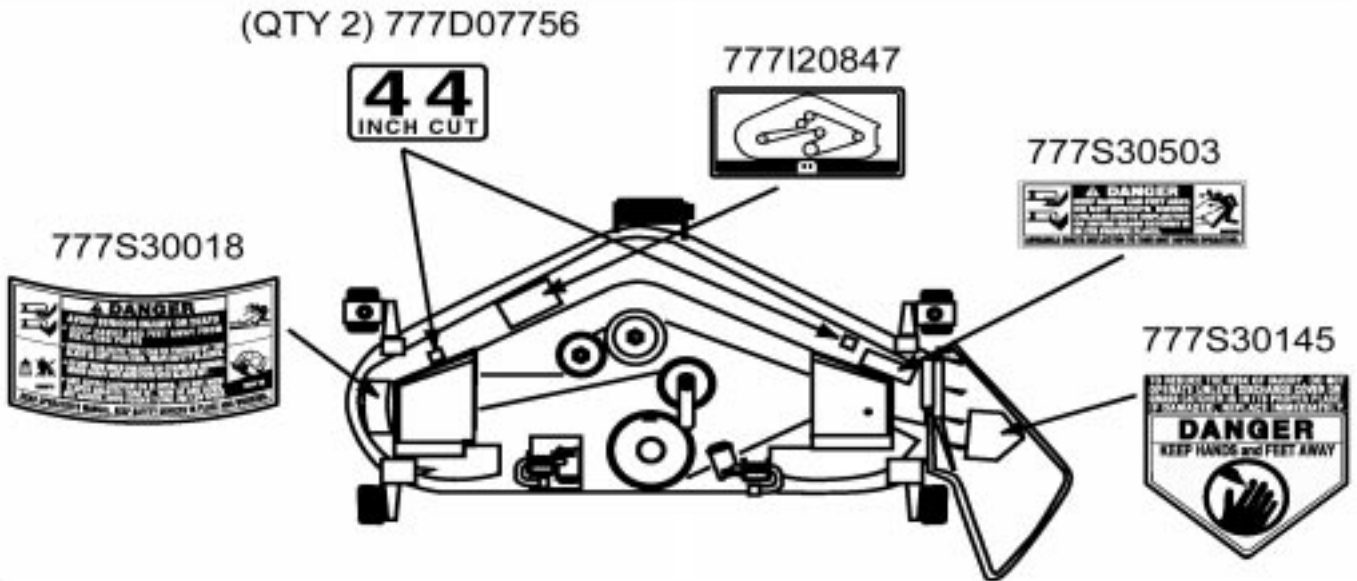
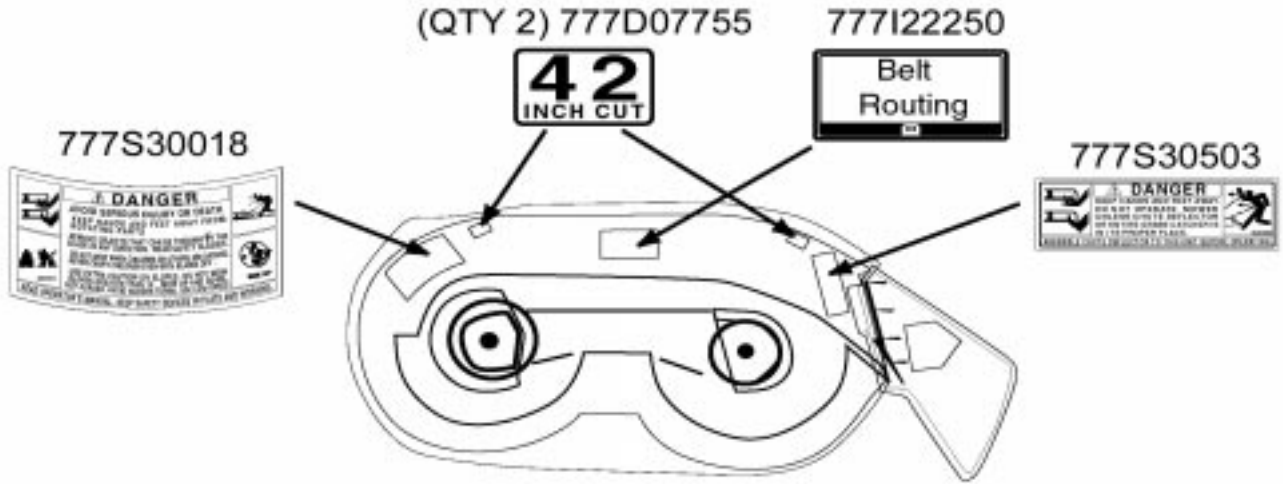
777D07761

On the bottom edge top of the label
placed across the top of the edge.



777D07762

Decal Map



Cub Cadet 

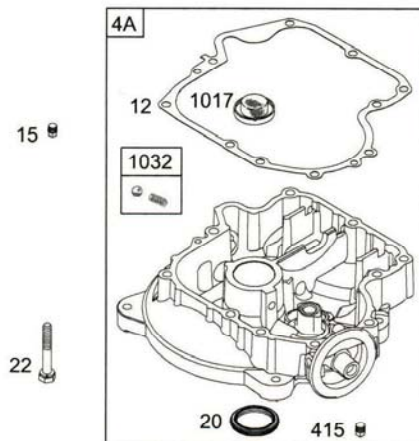
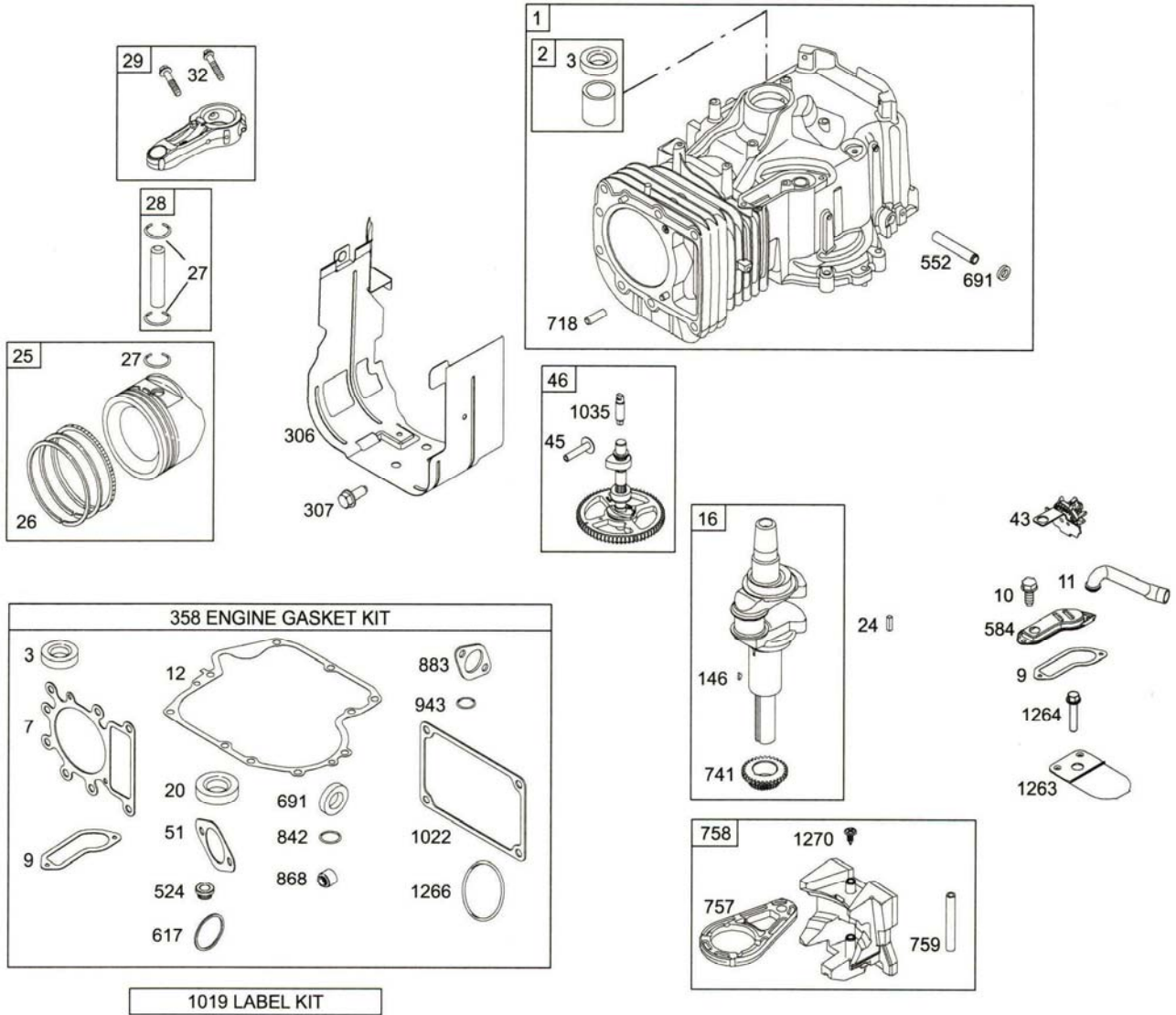
Cub Cadet LLC
P.O. Box 361131
Cleveland, OH 44136

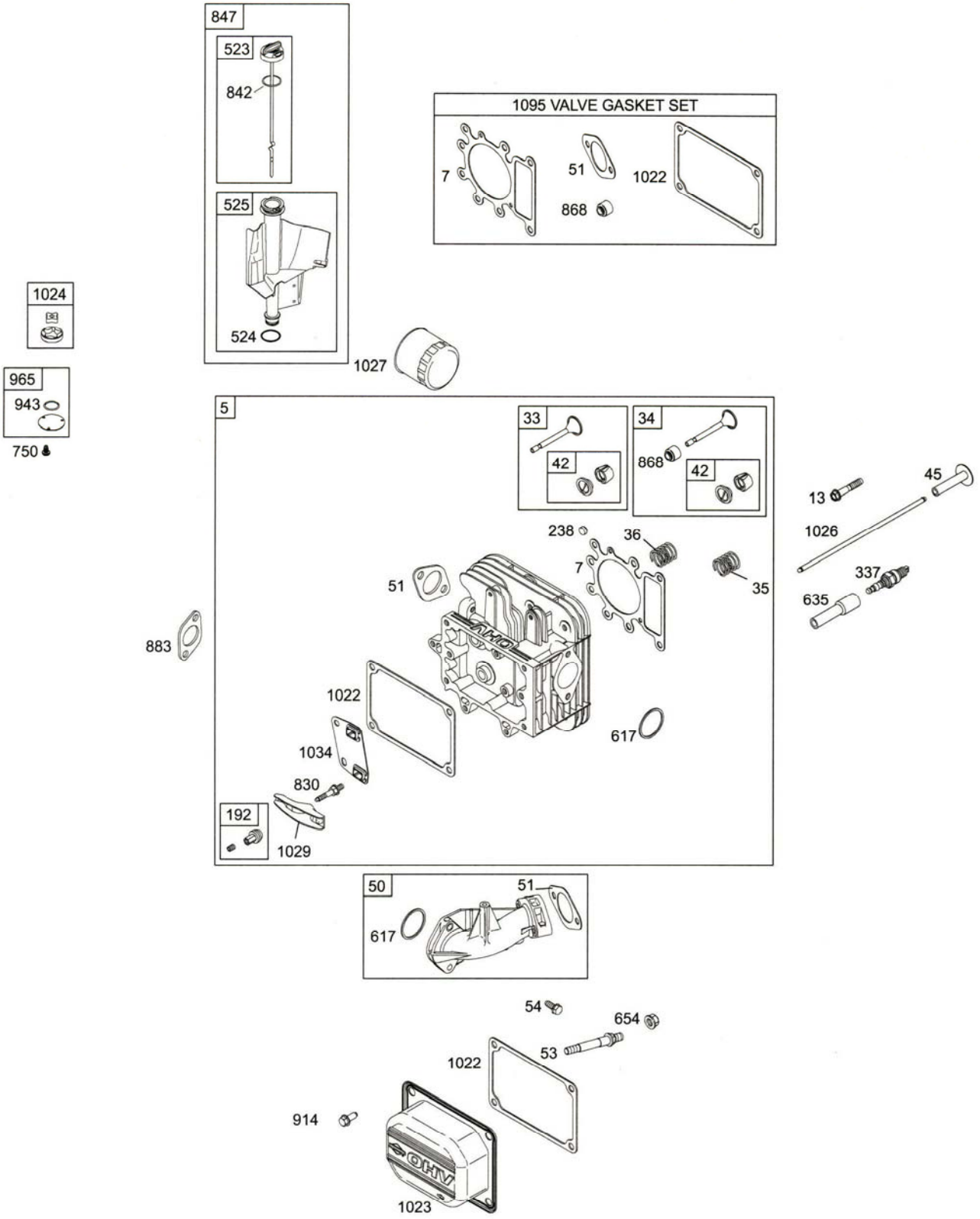
Illustrated Parts List
18.5 HP 42" Z-FORCE ENGINE
Model Series
31P777-0115-E1

TABLE OF CONTENTS

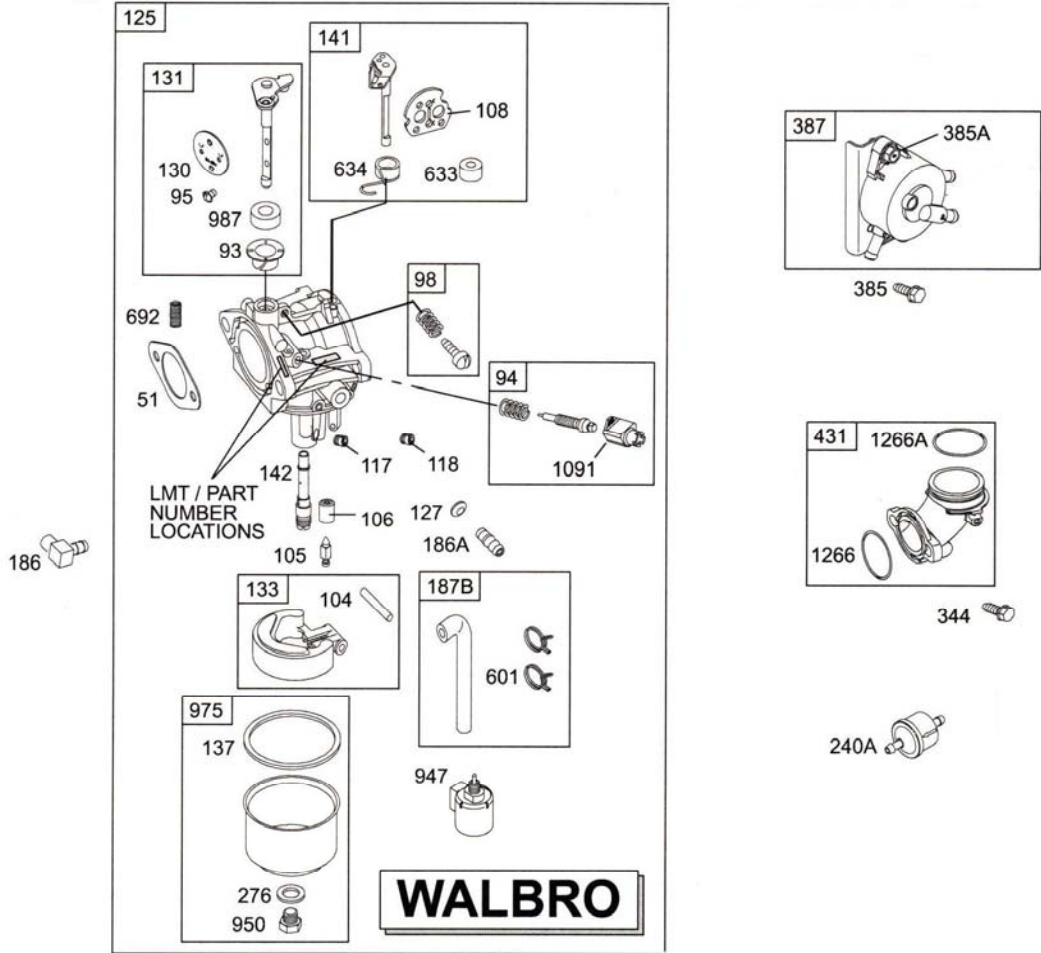
| | |
|----------------------------------|---|
| Alternator | 6 |
| Blower Housing/Air Cleaner | 5 |
| Camshaft | 2 |
| Carburetor | 4 |
| Controls | 6 |
| Crankshaft | 2 |
| Cylinder | 2 |
| Cylinder Head | 3 |
| Electric Starter | 6 |
| Engine Sump | 2 |
| Flywheel | 6 |
| Fuel System | 4 |
| Governor Spring | 6 |
| Ignition | 6 |
| Kits/Gaskets–Carburetor | 4 |
| Kits/Gaskets–Engine | 2 |
| Kits/Gaskets–Valve | 3 |
| Muffler | 5 |
| Oil System Compents | 3 |
| Piston and Rod Group | 2 |
| Valves | 3 |

31P777-0115-E1



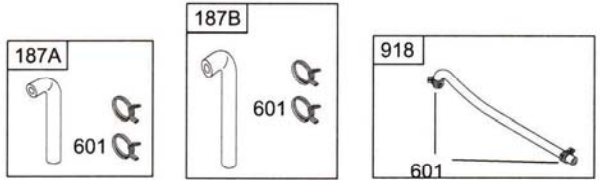


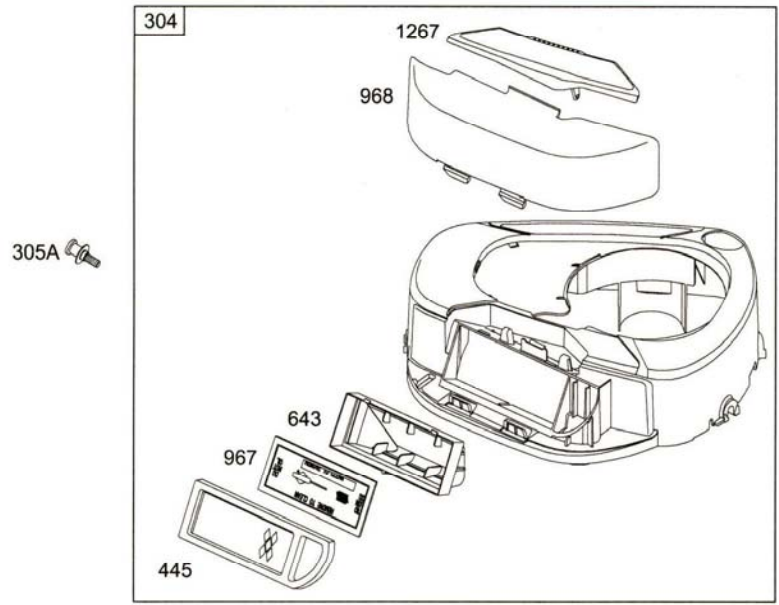
31P777-0115-E1



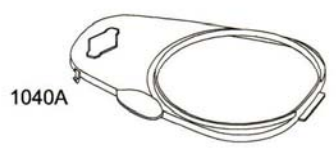
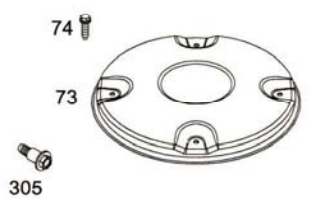
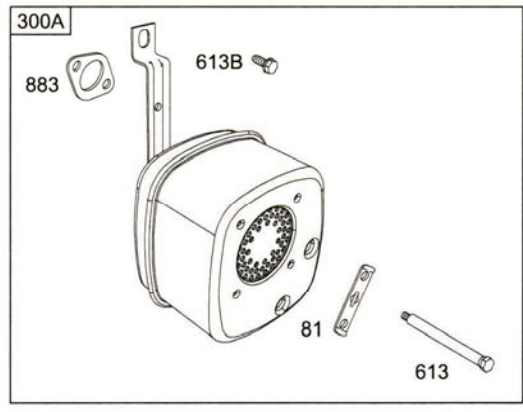
| 121 CARBURETOR OVERHAUL KIT | | | | |
|-----------------------------|-----|--|------|--|
| | 104 | | 276 | |
| | 105 | | 634A | |
| | 106 | | 634 | |
| | 117 | | 617 | |

| 977 CARBURETOR GASKET SET | | |
|---------------------------|--|--|
| | | |

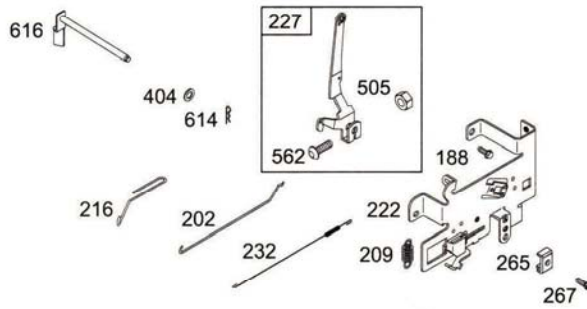
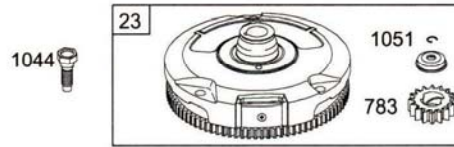
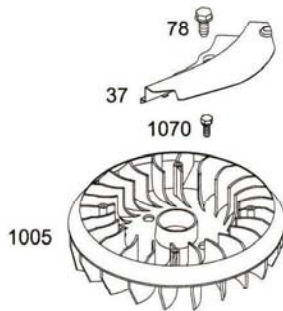
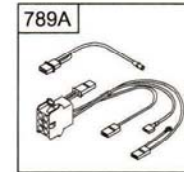
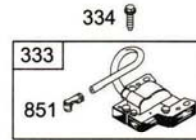
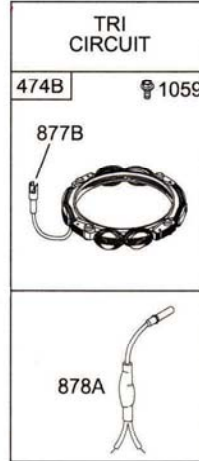
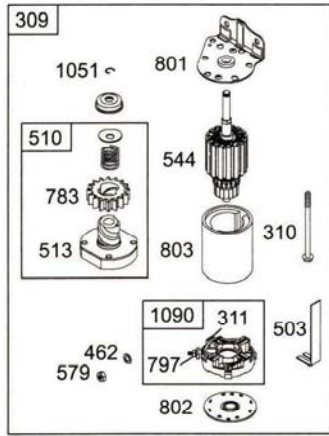




1036 EMISSION LABEL



31P777-0115-E1



31P777-0115

| REF. NO. | PART NO. | DESCRIPTION | REF. NO. | PART NO. | DESCRIPTION |
|----------|------------|---------------------------------|----------|-----------|------------------------------|
| 1 | BS-697174 | Cylinder Assembly | 36 | BS-691279 | Spring-Valve (Exhaust) |
| 2 | BS-399265 | Kit-Bushing/Seal (Magneto Side) | 37 | BS-697352 | Guard-Flywheel |
| 3 | BS-391086S | Seal-Oil (Magneto Side) | 42 | BS-499586 | Keeper-Valve |
| 4A | BS-697188 | Sump-Engine | 43 | BS-691968 | Slinger-Governor/Oil |
| 5 | BS-698148 | Head-Cylinder | 45 | BS-690564 | Tappet-Valve |
| 7 | BS-699168 | Gasket-Cylinder Head | 46 | BS-698492 | Camshaft |
| 9 | BS-697109 | Gasket-Breather | 50 | BS-699028 | Manifold-Intake |
| 10 | BS-697157 | Screw (Breather Assembly) | 51 | BS-692137 | Gasket-Intake |
| 11 | BS-697113 | Tube-Breather | 53 | BS-690227 | Stud (Carburetor) |
| 12 | BS-697110 | Gasket-Crankcase (Standard) | 54 | BS-691148 | Screw (Intake Manifold) |
| 13 | BS-690360 | Screw (Cylinder Head) | 73 | BS-697133 | Screen-Rotating |
| 15 | BS-691680 | Plug-Oil Drain (Flush) | 74 | BS-697897 | Screw (Rotating Screen) |
| 16 | BS-697127 | Crankshaft | 78 | BS-691003 | Screw (Flywheel Guard) |
| 20 | BS-690947 | Seal-Oil (PTO Side) | 81 | BS-691178 | Lock-Muffler Screw |
| 22 | BS-692125 | Screw (Crankcase Cover/Sump) | 93 | BS-281346 | Bushing-Throttle Shaft |
| 23 | BS-693556 | Flywheel | 94 | BS-498030 | Kit-Idle Mixture |
| 24 | BS-222698S | Key-Flywheel | 95 | BS-691636 | Screw (Throttle Valve) |
| 25 | BS-699052 | Piston Assembly (Standard) | 98 | BS-495800 | Kit-Idle Speed |
| | BS-699053 | Piston Assembly (.010") | 104 | BS-690525 | Pin-Float Hinge |
| | BS-699054 | Piston Assembly (.020") | 105 | BS-231855 | Valve-Float Needle |
| | BS-699055 | Piston Assembly (.030") | 106 | BS-691780 | Seat-Inlet (Pump Feed) |
| 26 | BS-699051 | Ring Set (Standard) | 108 | BS-690464 | Valve-Choke |
| | BS-697558 | Ring Set (.010") | 117 | BS-694352 | Jet-Main (Standard) |
| | BS-697559 | Ring Set (.020") | 118 | BS-697228 | Jet-Main (High Altitude) |
| | BS-697560 | Ring Set (.030") | 121 | BS-697241 | Kit-Carburetor Overhaul |
| 27 | BS-698469 | Lock-Piston Pin | 125 | BS-699937 | Carburetor (Pump Feed) |
| 28 | BS-697099 | Pin-Piston (Standard) | 127 | BS-695005 | Plug-Welch (5/16" Diameter) |
| 29 | BS-697126 | Rod-Connecting (Standard) | 130 | BS-691750 | Valve-Throttle |
| | BS-697263 | Rod-Connecting (.020") | 131 | BS-494379 | Kit-Throttle Shaft |
| 32 | BS-692852 | Screw (Connecting Rod) | 133 | BS-494381 | Float-Carburetor |
| 33 | BS-695760 | Valve-Exhaust | 137 | BS-281165 | Gasket-Float Bowl |
| 34 | BS-695761 | Valve-Intake | 141 | BS-495097 | Kit-Choke Shaft |
| 35 | BS-691279 | Spring-Valve (Intake) | 142 | BS-697140 | Nozzle-Carburetor (Standard) |

31P777-0115

| REF. NO. | PART NO. | DESCRIPTION | REF. NO. | PART NO. | DESCRIPTION |
|----------|-----------|---|----------|-----------|-------------------------------|
| 146 | BS-691639 | Key-Timing | 356 | BS-697089 | Wire-Stop |
| 186 | BS-692317 | Connector-Hose (90 Degree) | 358 | BS-697191 | Gasket Set-Engine |
| 186A | BS-698174 | Connector-Hose (Straight) | 385 | BS-694476 | Screw (Fuel Pump) |
| 187A | BS-697098 | Line-Fuel(Formed) (3-1/2 Inches Long) | 385A | BS-690297 | Screw (Fuel Pump) |
| 187B | BS-698417 | Line-Fuel (Formed) (10-1/4Inches Long) | 387 | BS-697090 | Pump-Fuel |
| 188 | BS-691693 | Screw (Control Bracket) | 404 | BS-691691 | Washer (Governor Crank) |
| 192 | BS-691986 | Adjuster-Rocker Arm | 415 | BS-690283 | Plug (Sump) |
| 202 | BS-691841 | Link-Mechanical Governor | 431 | BS-697122 | Elbow-Intake |
| 209 | BS-691798 | Spring-Governor | 445 | BS-697153 | Filter-Air Cleaner Cartridge |
| 216 | BS-691840 | Link-Choke | 462 | BS-691261 | Washer (Starter Cable) |
| 222 | BS-694042 | Bracket-Control | 474B | BS-696457 | Alternator (Tri Circuit) |
| 227 | BS-691374 | Lever-Governor Control | 501 | BS-691188 | Regulator |
| 232 | BS-691842 | Spring-Governor Link | 503 | BS-691532 | Strap-Starter |
| 238 | BS-691843 | Cap-Valve | 505 | BS-691251 | Nut (Governor Control Lever) |
| 240A | BS-691035 | Filter-Fuel | 510 | BS-693699 | Drive-Starter |
| 265 | BS-691024 | Clamp-Casing | 513 | BS-692024 | Clutch-Drive |
| 267 | BS-695134 | Screw (Casing Clamp) | 521 | BS-690581 | Shield-Cable |
| 276 | BS-692255 | Washer-Sealing | 523 | BS-697086 | Dipstick |
| 276A | BS-695410 | Washer-Sealing | 524 | BS-691032 | Seal-Dipstick Tube |
| 304 | BS-699829 | Housing-Blower (Black) | 525 | BS-697085 | Tube-Dipstick. |
| 305 | BS-697102 | Screw (Blower Housing) | 526 | BS-697088 | Screw (Regulator) |
| 305A | BS-697103 | Screw (Blower Housing) | 544 | BS-692034 | Armature-Starter |
| 306 | BS-697107 | Shield-Cylinder | 552 | BS-697144 | Bushing-Governor Crank |
| 307 | BS-691003 | Screw (Cylinder Shield) | 562 | BS-691119 | Bolt (Governor Control Lever) |
| 309 | BS-693551 | Motor-Starter | 579 | BS-691029 | Nut (Starter Cable) |
| 310 | BS-690323 | Screw (Starter Motor) | 584 | BS-697112 | Cover-Breather Passage |
| 311 | BS-497608 | Brush Set | 601 | BS-95162S | Clamp-Hose |
| 333 | BS-492341 | Armature-Magneto | 613 | BS-691416 | Screw (Muffler) |
| 334 | BS-691061 | Screw (Magneto Armature) | 613B | BS-691678 | Screw (Muffler) |
| 337 | 759-3336 | Plug-Spark | 614 | BS-93306 | Pin-Cotter |
| 344 | BS-693675 | Screw (Cable Clamp) | 616 | BS-692012 | Crank-Governor |
| | | | 617 | BS-692138 | Seal-O Ring (Intake Manifold) |
| | | | 634 | BS-690801 | Spring/Seal Assembly |

31P777-0115

| REF. NO. | PART NO. | DESCRIPTION | REF. NO. | PART NO. | DESCRIPTION |
|----------|-----------|----------------------------------|----------|------------|---------------------------|
| 635 | BS-691909 | Boot-Spark Plug | 950 | BS-691657 | Screw-Float Bowl |
| 643 | BS-698401 | Retainer-Air Filter | 965 | BS-499613 | Cover-Oil Pump |
| 654 | BS-690958 | Nut (Carburetor) | 967 | BS-697015 | Filter-Pre Cleaner |
| 691 | BS-692407 | Seal-Governor Shaft | 968 | BS-699986 | Cover-Air Cleaner (Black) |
| 692 | BS-690572 | Spring-Detent | 975 | BS-495933 | Bowl-Float |
| 697 | BS-690372 | Screw (Drive Cap) | 977 | BS-690192 | Gasket Set-Carburetor |
| 718 | BS-690959 | Pin-Locating | 987 | BS-691326 | Seal-Throttle Shaft |
| 729A | BS-691224 | Clip-Wire (Aluminum Coated) | 1005 | BS-699043 | Fan-Flywheel |
| 729B | BS-694123 | Clip-Wire (Nylon) | 1017 | BS-690770 | Screen-Oil Pump |
| 741 | BS-697128 | Gear-Timing | 1019 | BS-697143 | Kit-Label |
| 750 | BS-691033 | Screw (Oil Pump Cover) | 1022 | BS-272475S | Gasket-Rocker Cover |
| 757 | BS-697607 | Link-Counterweight | 1023 | BS-692492 | Cover-Rocker |
| 758 | BS-697134 | Counterweight | 1024 | BS-499054 | Pump-Oil |
| 759 | BS-697392 | Pin-Counterweight | 1026 | BS-692003 | Rod-Push (Intake) |
| 783 | BS-693713 | Gear-Pinion | | BS-692011 | Rod-Push (Exhaust) |
| 789A | BS-698329 | Harness-Wiring | 1027 | BS-492932S | Filter-Oil |
| 797 | BS-693167 | Nut (Brush Retainer) | 1029 | BS-691751 | Arm-Rocker |
| 801 | BS-691283 | Cap-Drive | 1032 | BS-491710 | Ball-Oil Pump |
| 802 | BS-691286 | Cap-End | 1034 | BS-690822 | Guide-Push Rod |
| 803 | BS-693757 | Housing-Starter | 1035 | BS-693784 | Shaft-Pump |
| 830 | BS-691095 | Stud-Rocker Arm | 1036 | BS-695700 | Label-Emissions |
| 842 | BS-691031 | Seal-O Ring (Dipstick Tube) | 1040A | BS-699852 | Plate-Trim |
| 847 | BS-697087 | Dipstick/Tube Assembly | 1044 | BS-698139 | Screw (Flywheel) |
| 851 | BS-692424 | Terminal-Spark Plug | 1051 | BS-691265 | Ring-Retaining |
| 868 | BS-690968 | Seal-Valve | 1054 | BS-280275 | Tie-Cable |
| 877B | BS-393537 | Wire/Connector-Alternator | 1059 | BS-698516 | Kit-Screw/Washer |
| 878A | BS-691955 | Harness-Alternator (Tri Circuit) | 1070 | BS-690372 | Screw (Flywheel Fan) |
| 883 | 721-0208 | Gasket-Exhaust | 1090 | BS-691293 | Retainer-Brush |
| 914 | BS-691108 | Screw (Rocker Cover) | 1091 | BS-691333 | Cap-Limiter |
| 918 | BS-697091 | Hose-Vacuum | 1095 | BS-690190 | Gasket Set-Valve |
| 943 | BS-690589 | Seal-O Ring (Oil Pump Cover) | 1119 | BS-93621 | Screw (Alternator) |
| 947 | BS-694393 | Solenoid-Fuel | 1127 | BS-695407 | Screw (Float Bowl) |
| 947A | BS-695423 | Solenoid-Fuel | 1263 | BS-697124 | Reed-Breather |

31P777-0115

| REF. NO. | PART NO. | DESCRIPTION |
|-----------------|-----------------|------------------------------|
| 1264 | BS-697104 | Screw (Breather Reed) |
| 1266 | BS-691917 | Seal-O Ring (Intake Elbow) |
| 1266A | BS-697123 | Seal-O Ring (Intake Elbow) |
| 1267 | BS-697419 | Latch-Blower Housing (Black) |
| 1270 | BS-697156 | Plug-AVS Counterweight |

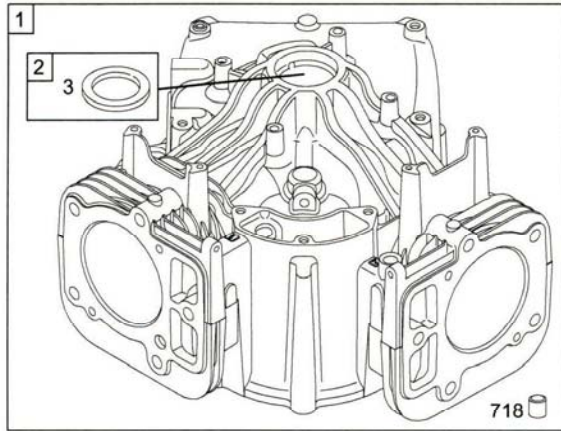
| | | |
|-----|-----------|-----------------|
| N/S | 01009770P | Complete Engine |
| N/S | BS-697762 | Short Block |

Illustrated Parts List
20 HP 44" Z-FORCE ENGINE
Model Series
406577-0106-E1

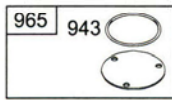
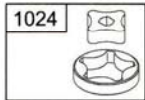
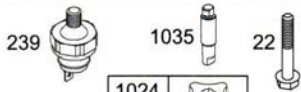
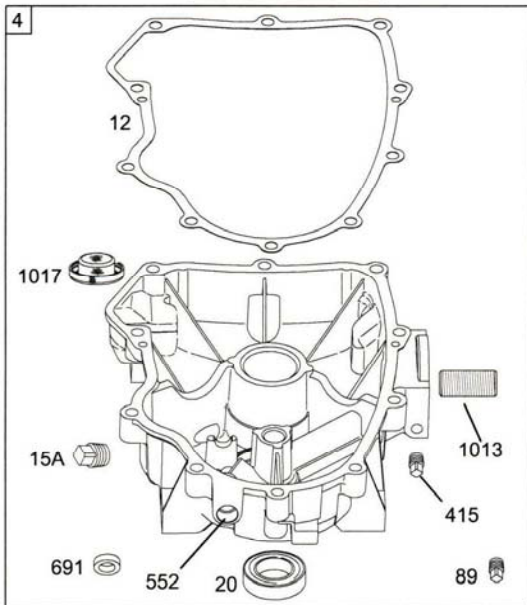
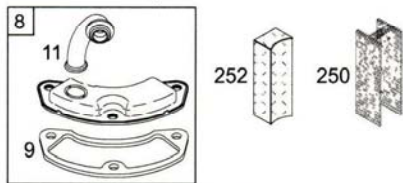
TABLE OF CONTENTS

| | |
|------------------------------|---|
| Air Cleaner | 5 |
| Alternators/Ignition | 5 |
| Blower Housing/Shrouds | 5 |
| Cam/Crankshaft | 2 |
| Carburetor | 4 |
| Controls | 6 |
| Crankcase Cover/Sump | 2 |
| Cylinder | 2 |
| Electric Starter | 6 |
| Flywheel | 6 |
| Head/Valves | 3 |
| Kit/Gasket Sets | 4 |
| Oil | 2 |
| Pistons | 2 |

406577-0106-E1

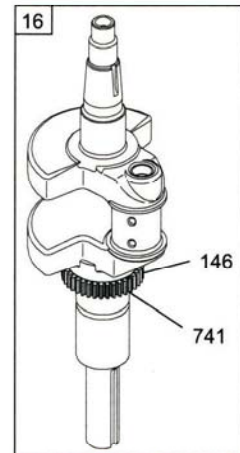
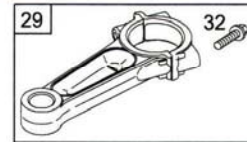
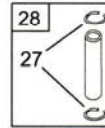
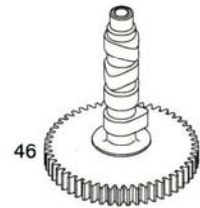
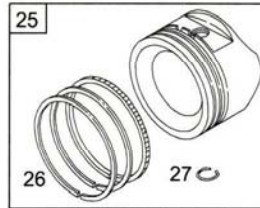
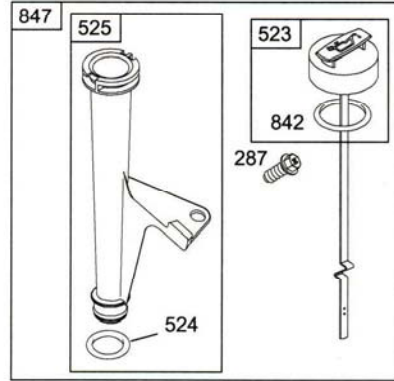


10

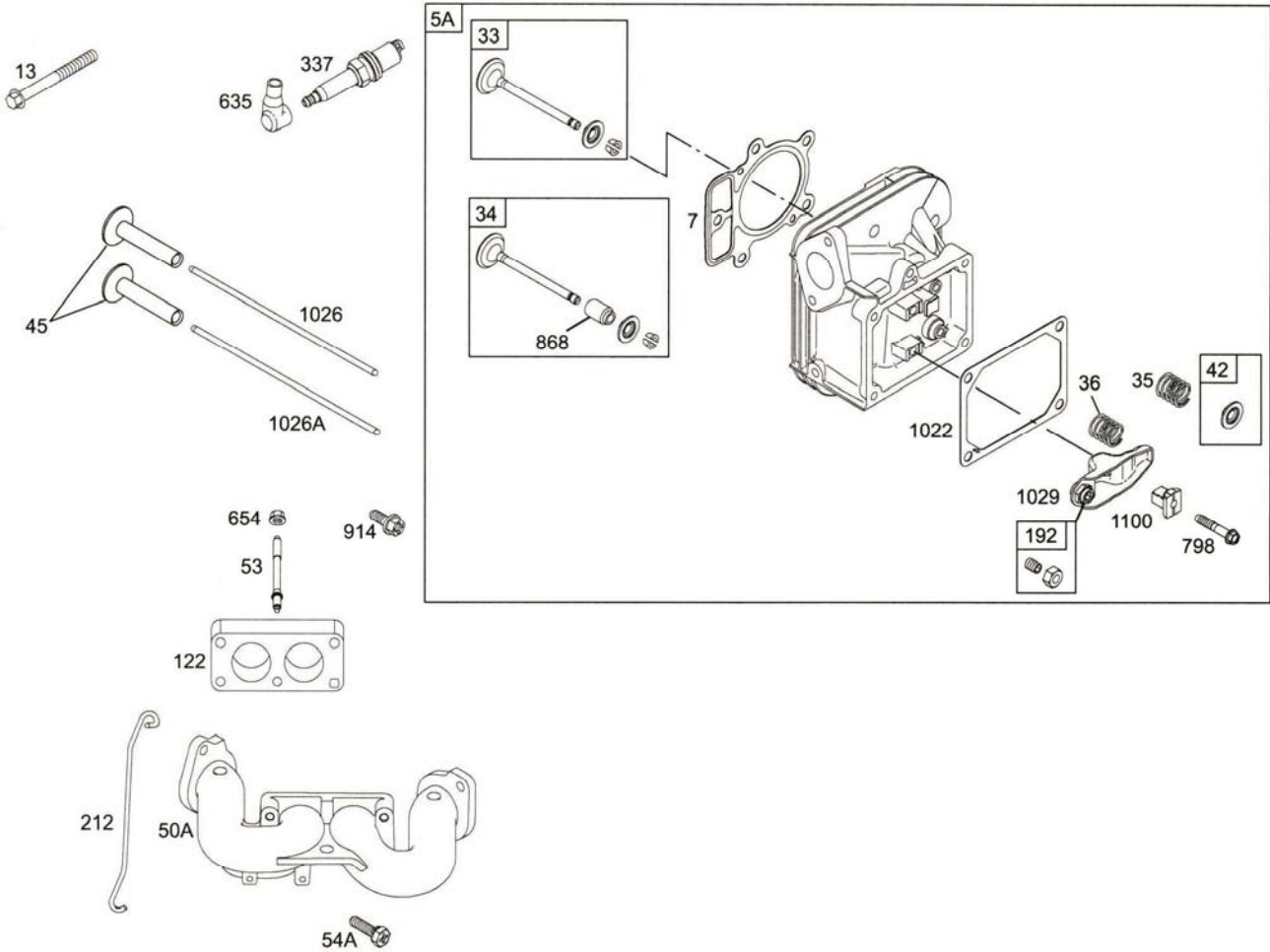
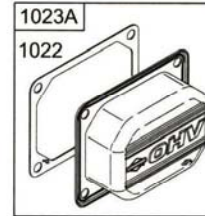
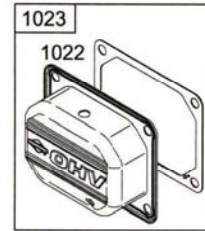
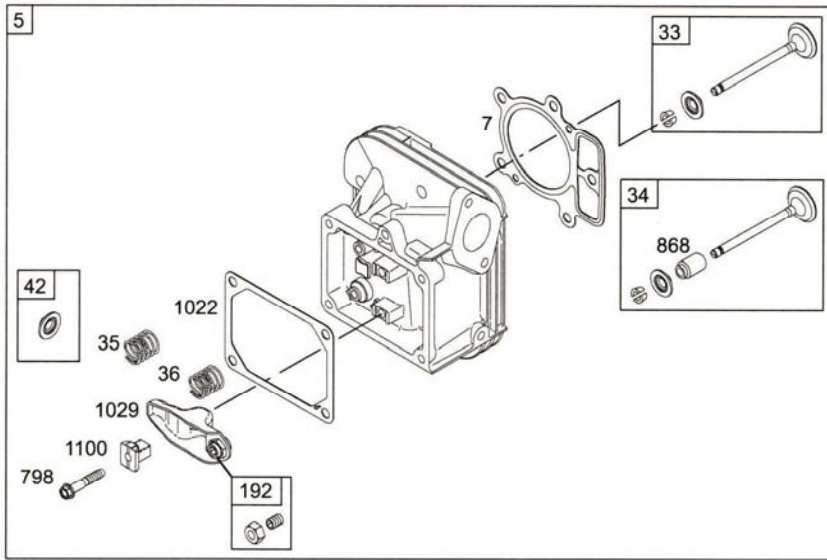


750

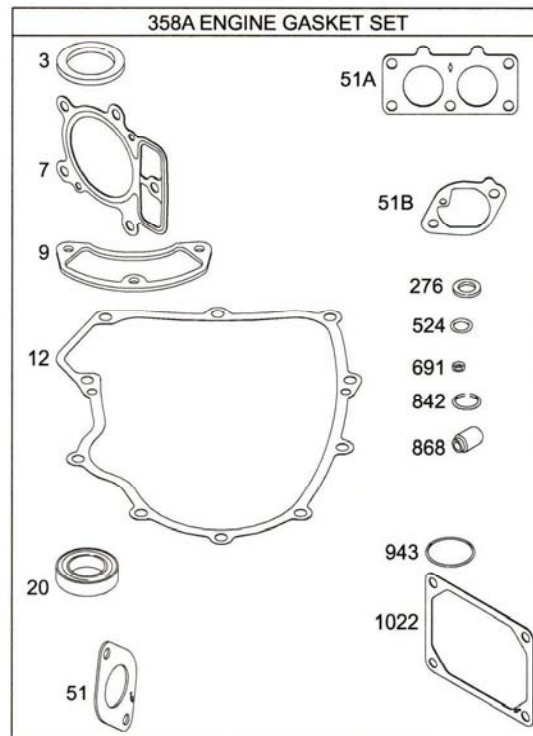
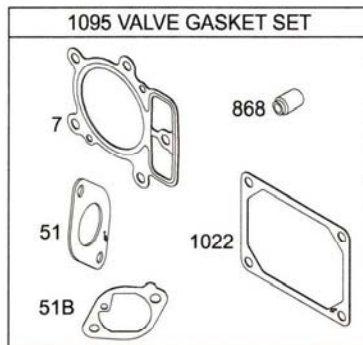
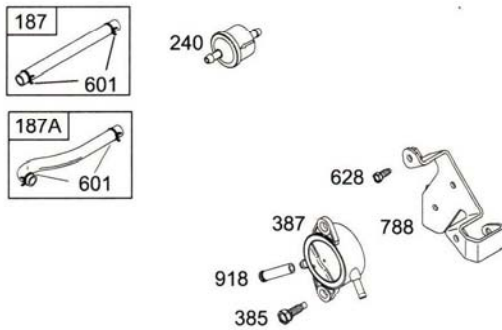
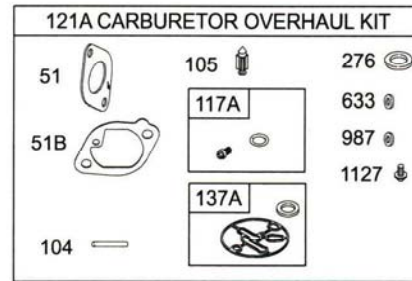
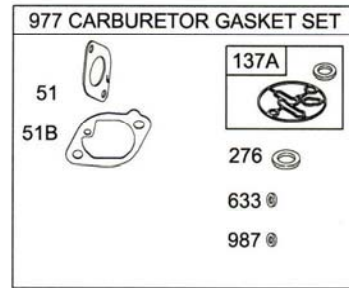
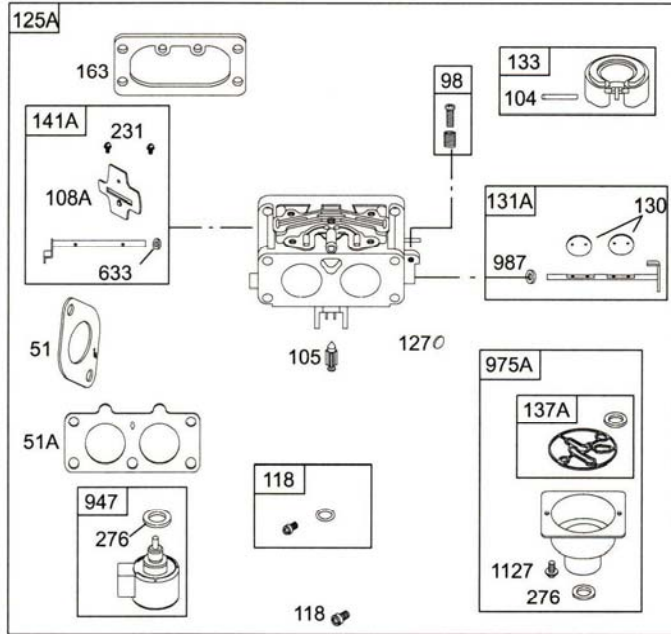
1019 LABEL KIT

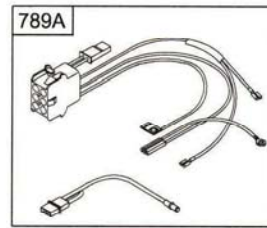
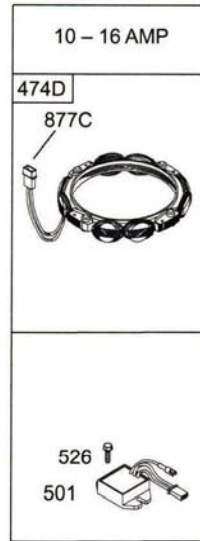
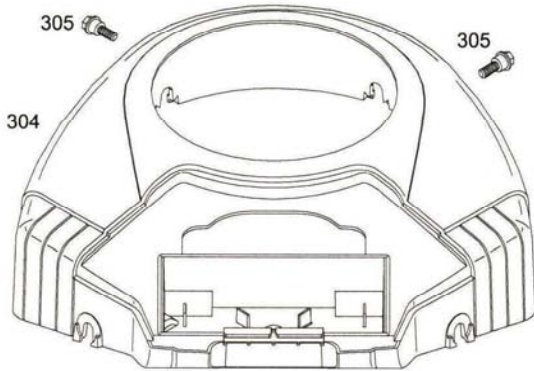
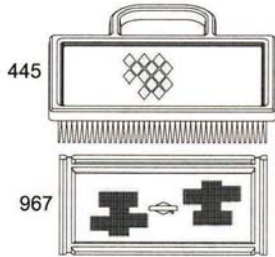
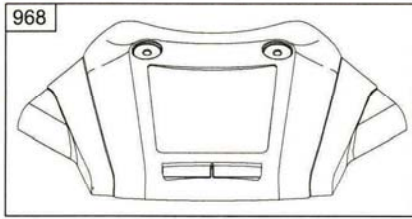


24

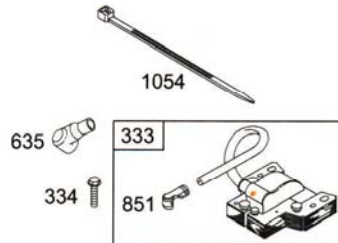
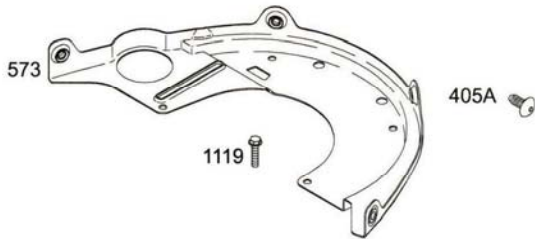
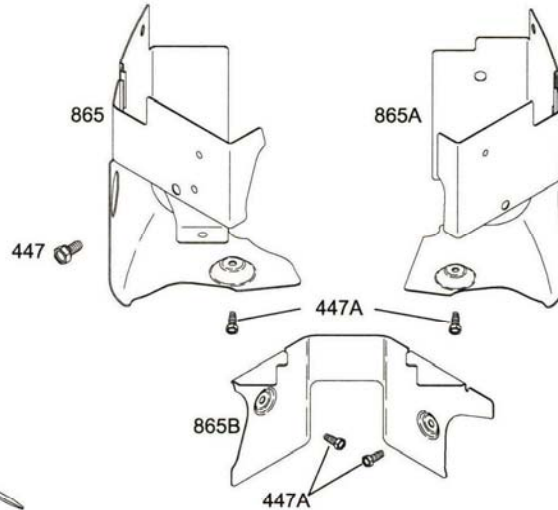
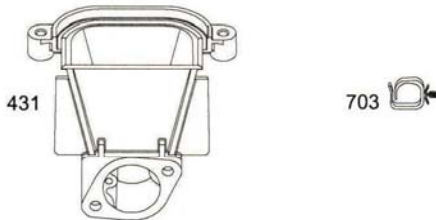


406577-0106-E1

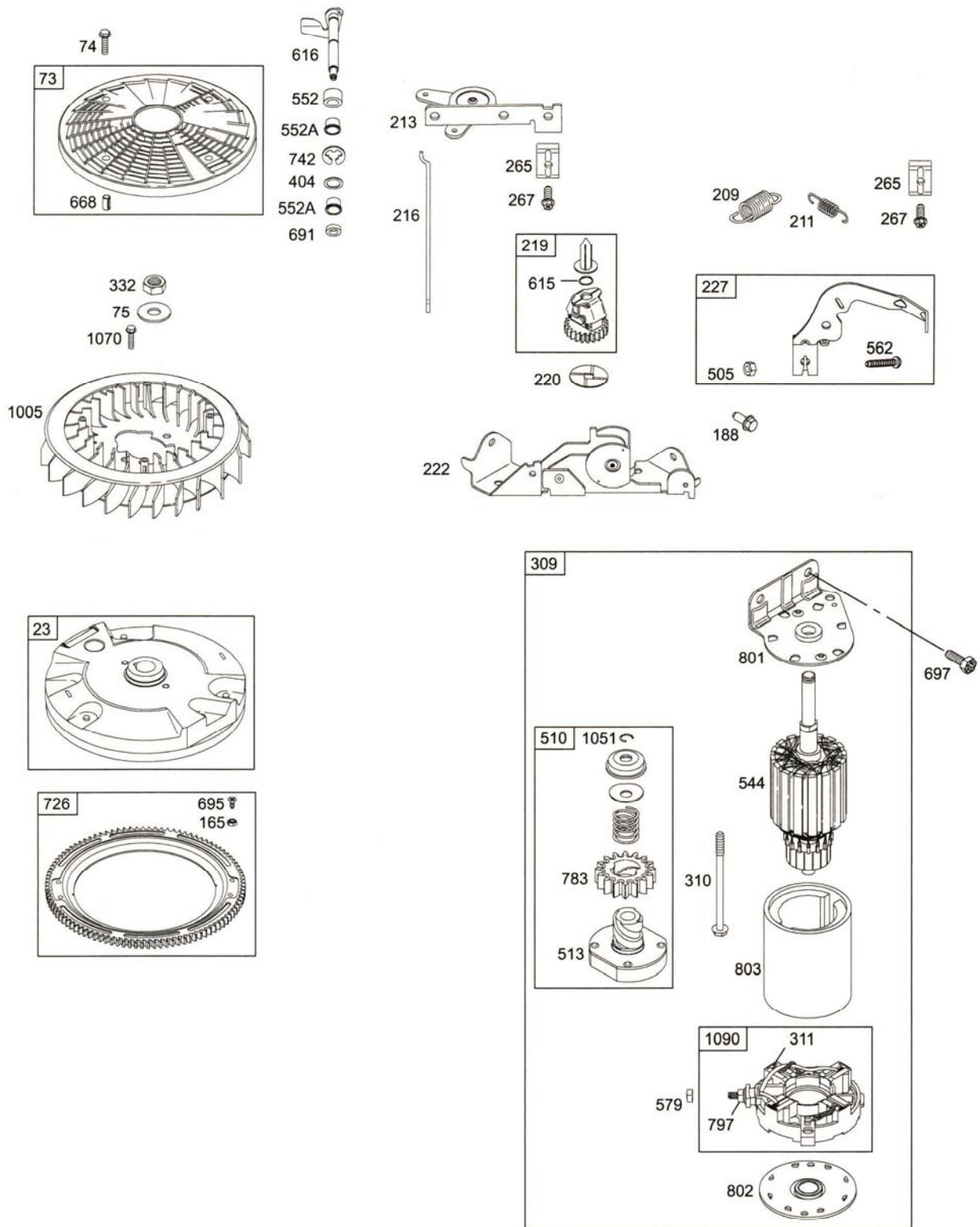




1036 EMISSIONS LABEL



406577-0106-E1



406577-0106

| REF. NO. | PART NO. | DESCRIPTION | REF. NO. | PART NO. | DESCRIPTION |
|----------|------------|---------------------------------|----------|-----------|--------------------------|
| 1 | BS-699751 | Cylinder Assembly | 46 | BS-699748 | Camshaft |
| 2 | BS-499585 | Kit-Bushing/Seal (Magneto Side) | 50 | BS-699801 | Manifold-Intake |
| 3 | BS-391086S | Seal-Oil (Magneto Side) | 51 | BS-699800 | Gasket-Intake |
| 4 | BS-699747 | Sump-Engine | 51A | BS-690949 | Gasket-Intake |
| 5 | BS-693998 | Head-Cylinder (Cylinder 1) | 51B | BS-699803 | Gasket-Intake |
| 5A | BS-693999 | Head-Cylinder (Cylinder 2) | 53 | BS-690951 | Stud (Carburetor) |
| 7 | BS-690962 | Gasket-Cylinder Head | 54A | BS-699816 | Screw (Intake Manifold) |
| 8 | BS-499601 | Breather Assembly | 73 | BS-494439 | Screen-Rotating |
| 9 | BS-690937 | Gasket-Breather | 74 | BS-698425 | Screw (Rotating Screen) |
| 10 | BS-691108 | Screw (Breather Assembly) | 75 | BS-691056 | Washer (Flywheel) |
| 11 | BS-690942 | Tube-Breather | 89 | BS-690946 | Plug-Oil |
| 12 | BS-697227 | Gasket-Crankcase | 98 | BS-699721 | Kit-Idle Speed |
| 13 | BS-690360 | Screw (Cylinder Head) | 104 | BS-694918 | Pin-Float Hinge |
| 15A | BS-690946 | Plug-Oil Drain (3/8" Standard) | 105 | BS-698537 | Valve-Float Needle |
| 16 | BS-691046 | Crankshaft | 108A | BS-699808 | Valve-Choke |
| 20 | BS-690947 | Seal-Oil (PTO Side) | 117A | BS-698784 | Jet-Main (Standard) |
| 22 | BS-694966 | Screw (Crankcase Cover/ Sump) | 118 | BS-699820 | Jet-Main (High Altitude) |
| 23 | BS-691053 | Flywheel | 121A | BS-699814 | Kit-Carburetor Overhaul |
| 24 | BS-222698S | Key-Flywheel | 122 | BS-699802 | Spacer-Carburetor |
| 25 | BS-499588 | Piston Assembly (Standard) | 125A | BS-699807 | Carburetor |
| | BS-499590 | Piston Assembly (.020") | 127 | BS-699810 | Plug-Welch |
| 26 | BS-499604 | Ring Set (Standard) | 130 | BS-699809 | Valve-Throttle |
| | BS-499606 | Ring Set (.020") | 131A | BS-699812 | Kit-Throttle Shaft |
| 27 | BS-690975 | Lock-Piston Pin | 133 | BS-694914 | Float-Carburetor |
| 28 | BS-690229 | Pin-Piston (Standard) | 137A | BS-698781 | Gasket-Float Bowl |
| 29 | BS-499583 | Rod-Connecting (Standard) | 141A | BS-699811 | Kit-Choke Shaft |
| 32 | BS-690976 | Screw (Connecting Rod) | 146 | BS-690979 | Key-Timing |
| 33 | BS-499596 | Valve-Exhaust | 163 | BS-691001 | Gasket-Air Cleaner |
| 34 | BS-697464 | Valve-Intake | 165 | BS-693148 | Nut (Ring Gear) |
| 35 | BS-690963 | Spring-Valve (Intake) | 187 | BS-691049 | Line-Fuel |
| 36 | BS-690963 | Spring-Valve (Exhaust) | 187A | BS-699799 | Line-Fuel |
| 42 | BS-499586 | Keeper-Valve | 188 | BS-691003 | Screw (Control Bracket) |
| 45 | BS-690977 | Tappet-Valve | 192 | BS-690083 | Adjuster-Rocker Arm |

406577-0106

| REF. NO. | PART NO. | DESCRIPTION | REF. NO. | PART NO. | DESCRIPTION |
|----------|------------|-------------------------------|----------|------------|-------------------------------|
| 209 | BS-698071 | Spring–Governor (Yellow) | 431 | BS-699806 | Elbow–Intake |
| 211 | BS-691019 | Spring–Governed Idle | 445 | BS-499486S | Filter–Air Cleaner Cartridge |
| 212 | BS-699805 | Link–Throttle | 447 | BS-691003 | Screw (Air Guide Cover) |
| 213 | BS-691021 | Bracket–Choke Control | 447A | BS-691108 | Screw (Air Guide Cover) |
| 216 | BS-691022 | Link–Choke | 474D | BS-696458 | Alternator (Dual Circuit) |
| 219 | BS-698231 | Gear–Governor | 501 | BS-691185 | Regulator |
| 220 | BS-690412 | Washer (Governor Gear) | 505 | BS-691029 | Nut (Governor Control Lever) |
| 222 | BS-698761 | Bracket–Control | 510 | BS-696541 | Drive–Starter |
| 227 | BS-691048 | Lever–Governor Control | 513 | BS-692024 | Clutch–Drive |
| 231 | BS-690718 | Screw (Choke Valve) | 523 | BS-691036 | Dipstick |
| 239 | BS-491657S | Switch–Oil Pressure | 524 | BS-691032 | Seal–Dipstick Tube |
| 240 | BS-691035 | Filter–Fuel | 525 | BS-691037 | Tube–Dipstick |
| 250 | BS-690957 | Retainer–Breather | 526 | BS-691108 | Screw (Regulator) |
| 252 | BS-690956 | Collector–Oil | 544 | BS-692034 | Armature–Starter |
| 265 | BS-691024 | Clamp–Casing | 552 | BS-690552 | Bushing–Governor Crank |
| 267 | BS-695134 | Screw | 552A | BS-690553 | Bushing–Governor Crank |
| 276 | BS-695410 | Washer–Sealing | 562 | BS-690311 | Bolt (Governor Control Lever) |
| 287 | BS-691108 | Screw (Dipstick Tube) | 573 | BS-691009 | Plate–Back |
| 304 | BS-695277 | Housing–Blower (Black) | 579 | BS-691029 | Nut (Starter Cable) |
| 305 | BS-691005 | Screw (Blower Housing) | 601 | BS-691038 | Clamp–Hose |
| 309 | BS-497595 | Motor–Starter | 615 | BS-698290 | Shaft–Governor Retainer |
| 310 | BS-691263 | Bolt (Starter Motor) | 616 | BS-691045 | Crank–Governor |
| 311 | BS-497608 | Brush Set | 617 | BS-691917 | Seal–O Ring (Intake Manifold) |
| 332 | BS-691059 | Nut (Flywheel) | 628 | BS-691108 | Screw (Fuel Pump Bracket) |
| 333 | BS-691060 | Armature–Magneto | 633 | BS-695414 | Seal–Choke/Throttle Shaft |
| 334 | BS-691061 | Screw (Magneto Armature) | 635 | BS-66538S | Boot–Spark Plug |
| 337 | 759-3336 | Plug–Spark | 654 | BS-690958 | Nut (Carburetor) |
| 358A | BS-699823 | Gasket Set–Engine | 668 | BS-691215 | Spacer |
| 385 | BS-691108 | Screw (Fuel Pump) | 691 | BS-690657 | Seal–Governor Shaft |
| 387 | BS-808656 | Pump–Fuel | 695 | BS-693149 | Screw (Ring Gear) |
| 404 | BS-690442 | Washer (Governor Crank) | 697 | BS-690372 | Screw (Drive Cap) |
| 405A | BS-697820 | Screw (Back Plate) (Mounting) | 703 | BS-691010 | Clip |
| 415 | BS-90283 | Plug | 718 | BS-690959 | Pin–Locating |

406577-0106

| REF. NO. | PART NO. | DESCRIPTION | REF. NO. | PART NO. | DESCRIPTION |
|-----------------|-----------------|------------------------------|-----------------|-----------------|-------------------------------|
| 726 | BS-499612 | Gear-Ring | 967 | BS-273638S | Filter-Pre Cleaner |
| 741 | BS-690980 | Gear-Timing | 968 | BS-790095 | Cover-Air Cleaner |
| 742 | BS-690328 | Retainer-E Ring | 975A | BS-699502 | Bowl-Float |
| 750 | BS-696999 | Screw (Oil Pump Cover) | 977 | BS-699815 | Gasket Set-Carburetor |
| 783 | BS-693058 | Gear-Pinion | 987 | BS-699813 | Seal-Throttle Shaft |
| 788 | BS-691039 | Bracket-Fuel Pump | 1005 | BS-499603 | Fan-Flywheel |
| 789A | BS-698330 | Harness-Wiring | 1013 | BS-231573 | Nipple-Oil Filter |
| 797 | BS-693167 | Nut (Brush Retainer) | 1017 | BS-690770 | Screen-Oil Pump |
| 798 | BS-697890 | Screw (Rocker Arm) | 1019 | BS-790094 | Kit-Label |
| 801 | BS-691283 | Cap-Drive | 1022 | BS-690971 | Gasket-Rocker Cover |
| 802 | BS-691286 | Cap-End | 1023 | BS-499599 | Cover-Rocker Arm (Cylinder 1) |
| 803 | BS-693757 | Housing-Starter | 1023A | BS-499600 | Cover-Rocker Arm (Cylinder 2) |
| 842 | BS-691031 | Seal-O Ring (Dipstick) | 1024 | BS-499054 | Pump-Oil |
| 847 | BS-499602 | Dipstick/Tube Assembly | 1026 | BS-690981 | Rod-Push (Steel) |
| 851 | BS-493880S | Terminal-Spark Plug | 1026A | BS-690982 | Rod-Push (Aluminum) |
| 865 | BS-691012 | Cover-Air Guide (Cylinder 1) | 1027 | BS-492932S | Filter-Oil |
| 865A | BS-691014 | Cover-Air Guide (Cylinder 2) | 1029 | BS-690972 | Arm-Rocker |
| 865B | BS-691015 | Cover-Air Guide (Valley) | 1035 | BS-691042 | Shaft-Pump |
| 868 | BS-690968 | Seal-Valve | 1036 | BS-695704 | Label-Emissions |
| 877C | BS-399916 | Wire/Connector-Alternator | 1051 | BS-691265 | Ring-Retaining |
| 883 | BS-690970 | Gasket-Exhaust | 1054 | BS-280275 | Tie-Cable |
| 914 | BS-691127 | Screw (Rocker Cover) | 1070 | BS-691058 | Screw (Flywheel Fan) |
| 918 | BS-694000 | Hose-Vacuum | 1090 | BS-691293 | Retainer-Brush |
| 934 | BS-691058 | Screw (Fan Retainer) | 1095 | BS-694013 | Gasket Set-Valve |
| 943 | BS-690589 | Seal-O Ring (Oil Pump Cover) | 1100 | BS-690973 | Pivot-Rocker Arm |
| 947 | BS-699728 | Solenoid-Fuel | 1119 | BS-93621 | Screw (Alternator) |
| 965 | BS-499613 | Cover-Oil Pump | 1127 | BS-695407 | Screw (Float Bowl) |

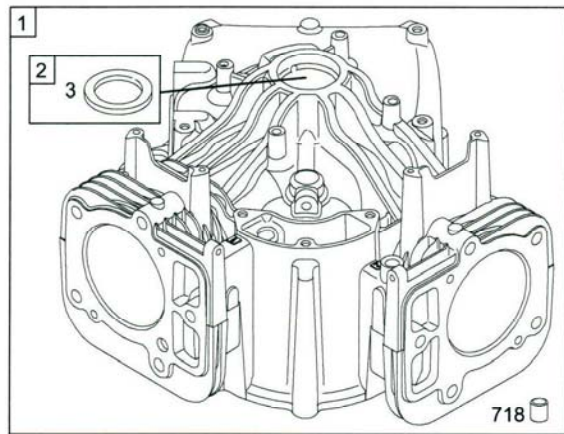
| | | |
|-----|-----------|-----------------|
| N/S | 01009724P | Complete Engine |
| N/S | BS-692714 | Short Block |

Illustrated Parts List
22 HP 48" Z-FORCE ENGINE
Model Series
407577-0110-E1

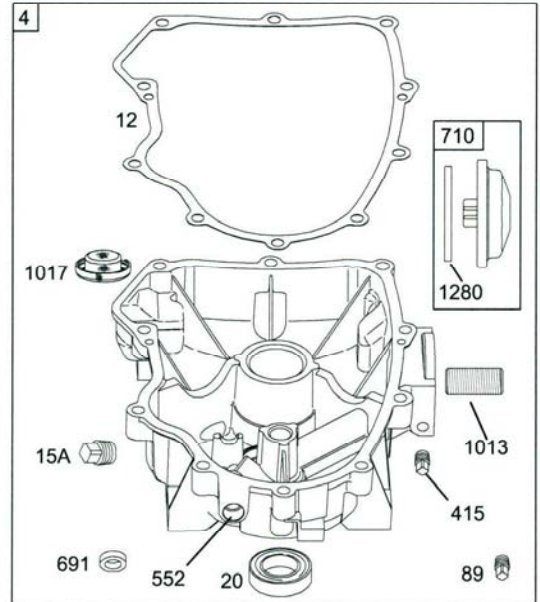
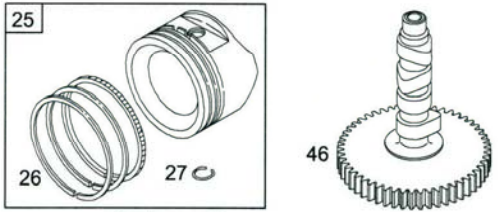
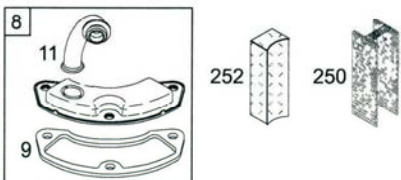
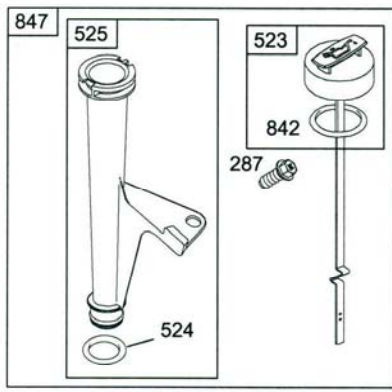
TABLE OF CONTENTS

| | |
|-------------------------------------|----------|
| Air Cleaner | 5 |
| Alternators/Ignition | 5 |
| Blower Housing/Shrouds | 5 |
| Cam/Crankshaft | 2 |
| Carburetor | 4 |
| Controls | 6 |
| Crankcase Cover/Sump | 2 |
| Cylinder | 2 |
| Electric Starter | 6 |
| Flywheel | 6 |
| Head/Valves | 3 |
| Kit/Gasket Sets | 4 |
| | |
| Oil | 2 |
| Pistons | 2 |

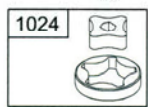
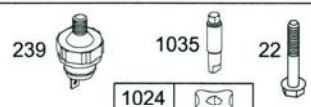
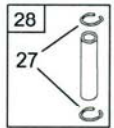
407577-0110-E1



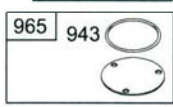
10



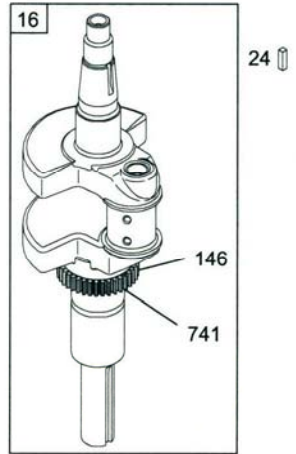
1027

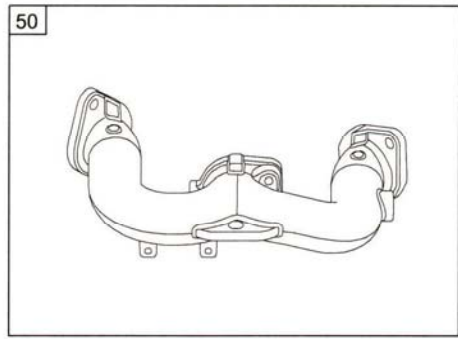
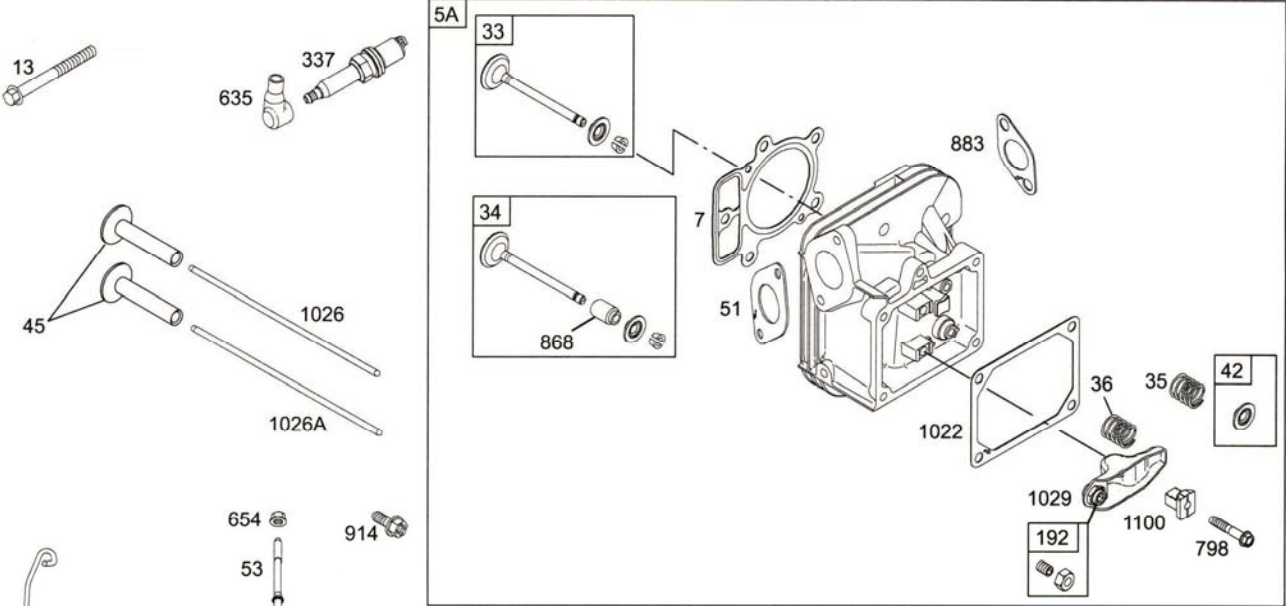
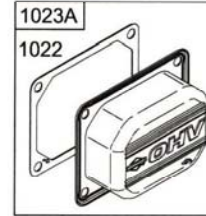
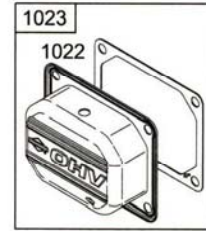
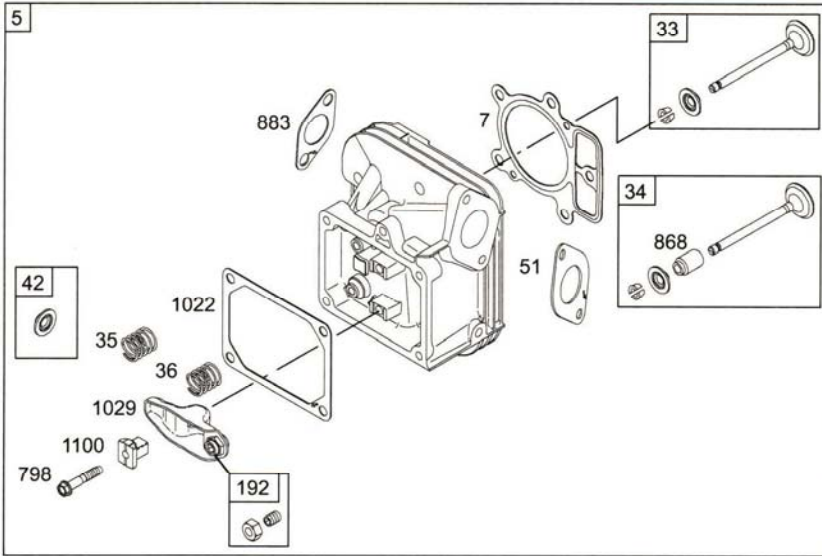


1019 LABEL KIT

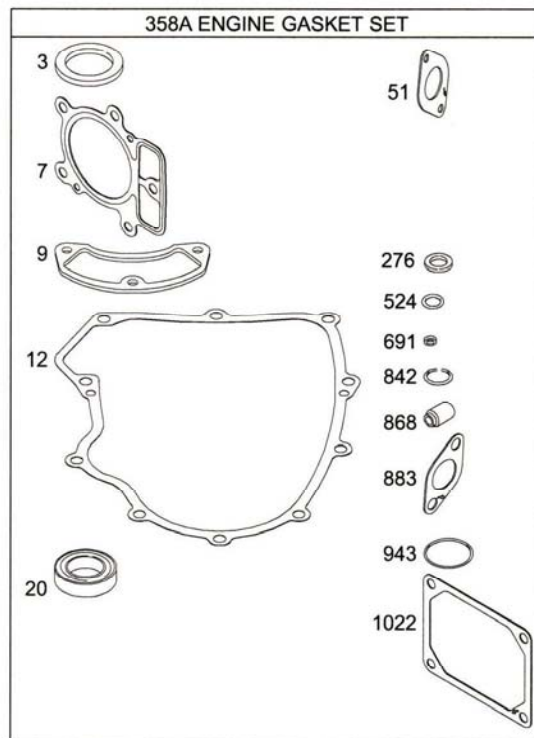
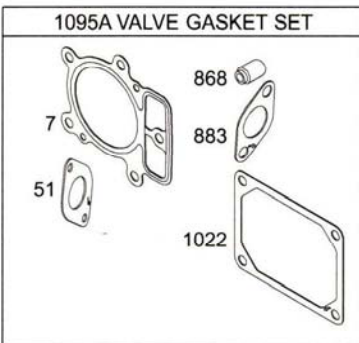
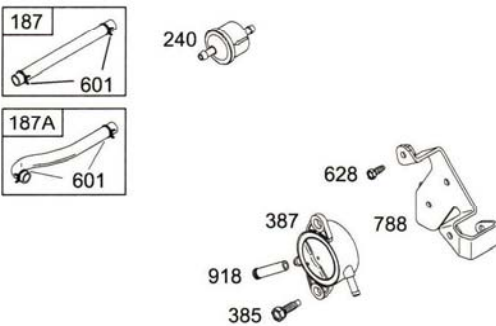
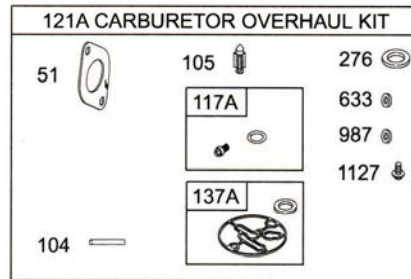
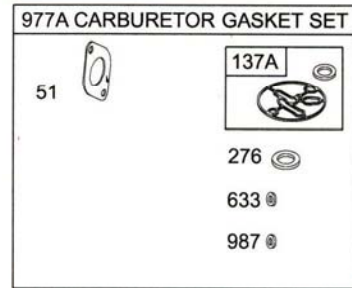
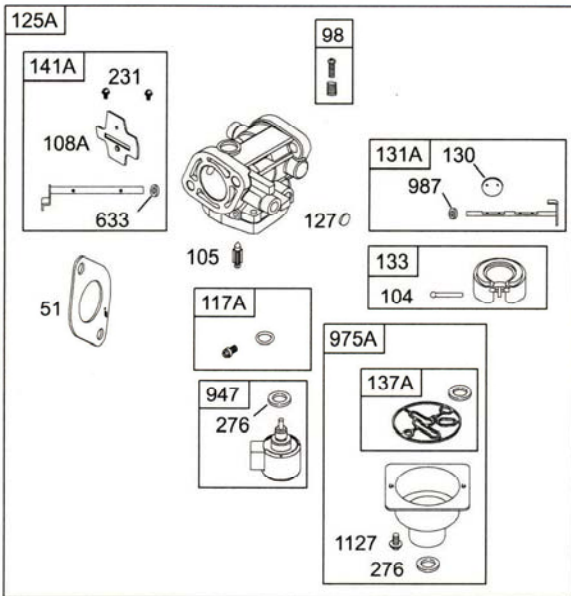


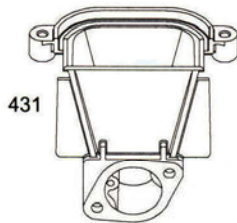
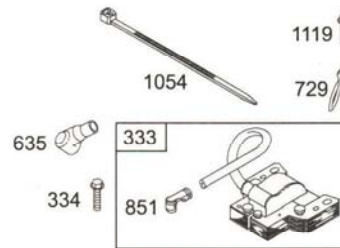
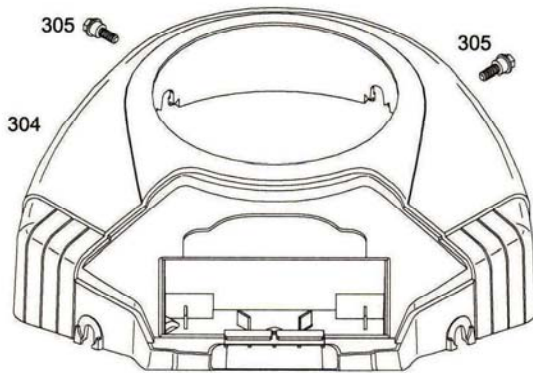
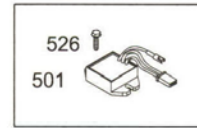
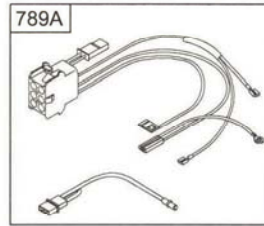
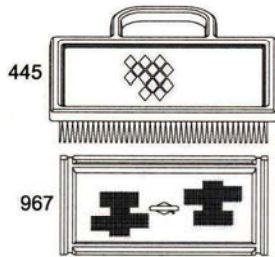
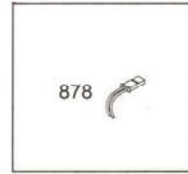
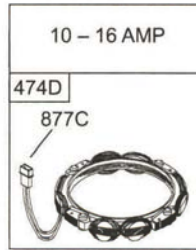
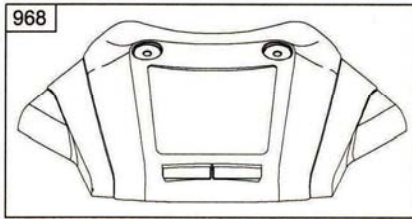
750



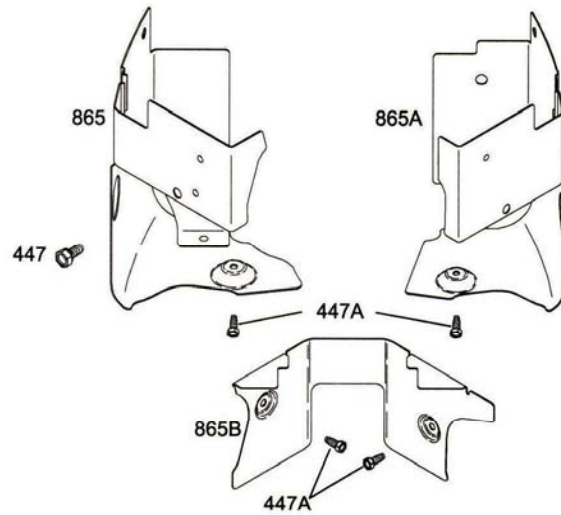
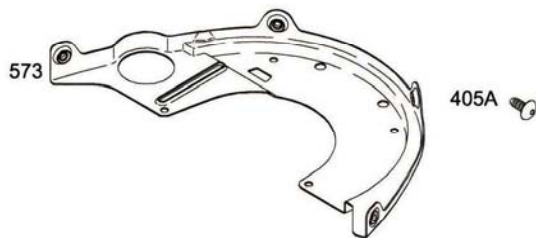


407577-0110-E1

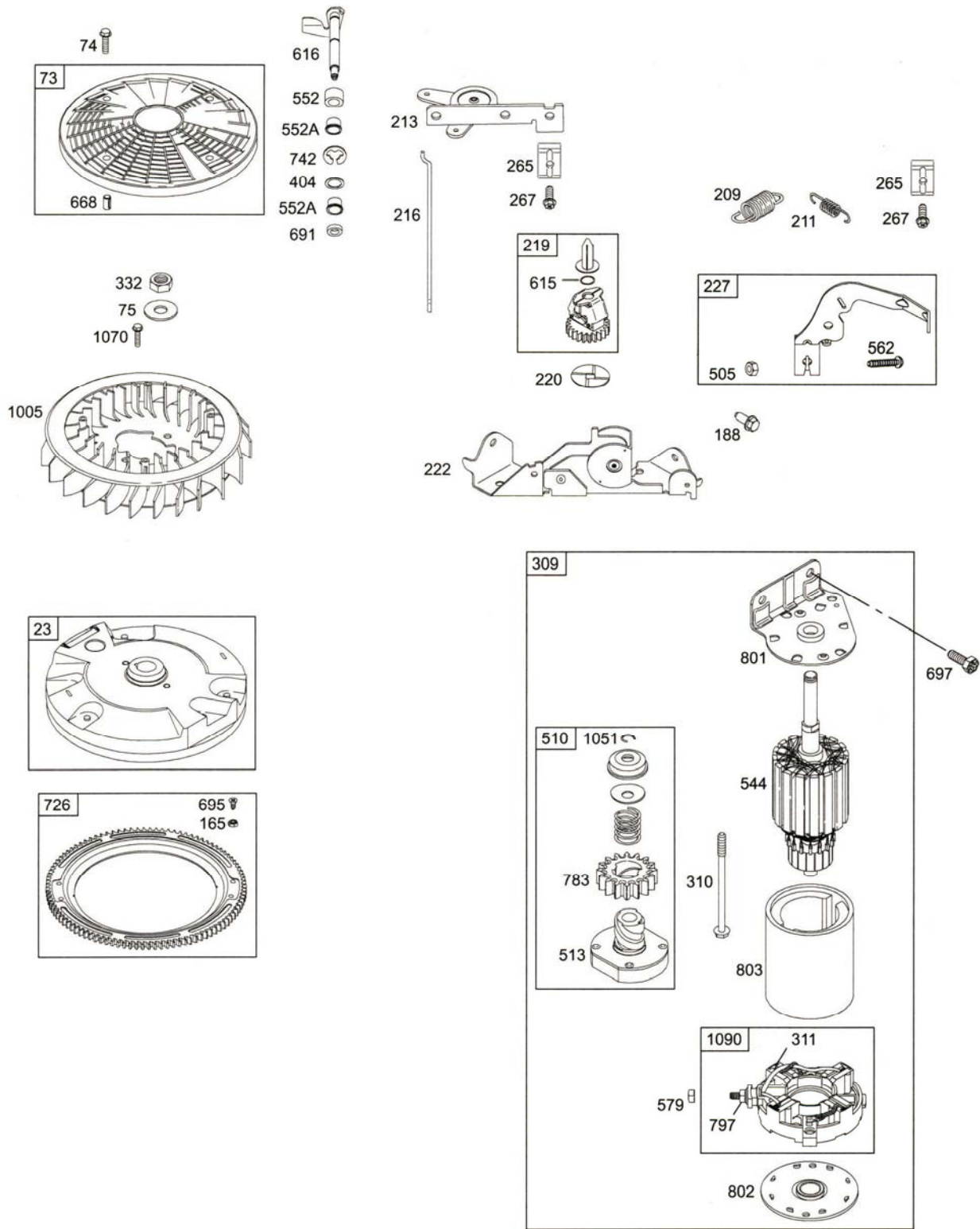




1036 EMISSIONS LABEL



407577-0110-E1



407577-0110

| REF. NO. | PART NO. | DESCRIPTION | REF. NO. | PART NO. | DESCRIPTION |
|----------|------------|---------------------------------|----------|-----------|--------------------------|
| 1 | BS-699751 | Cylinder Assembly | 45 | BS-690977 | Tappet-Valve |
| 2 | BS-499585 | Kit-Bushing/Seal (Magneto Side) | 46 | BS-699748 | Camshaft |
| 3 | BS-391086S | Seal-Oil (Magneto Side) | 50 | BS-699801 | Manifold-Intake |
| 4 | BS-699747 | Sump-Engine | 51 | BS-690949 | Gasket-Intake |
| 5 | BS-693998 | Head-Cylinder (Cylinder 1) | 53 | BS-690951 | Stud (Carburetor) |
| 5A | BS-693999 | Head-Cylinder (Cylinder 2) | 54 | BS-699816 | Screw (Intake Manifold) |
| 7 | BS-690962 | Gasket-Cylinder Head | 73 | BS-494439 | Screen-Rotating |
| 8 | BS-499601 | Breather Assembly | 74 | BS-698425 | Screw (Rotating Screen) |
| 9 | BS-690937 | Gasket-Breather | 75 | BS-691056 | Washer (Flywheel) |
| 10 | BS-691108 | Screw (Breather Assembly) | 89 | BS-690946 | Plug-Oil |
| 11 | BS-690942 | Tube-Breather | 98 | BS-699721 | Kit-Idle Speed |
| 12 | BS-697227 | Gasket-Crankcase | 104 | BS-694918 | Pin-Float Hinge |
| 13 | BS-690360 | Screw (Cylinder Head) | 105 | BS-698537 | Valve-Float Needle |
| 15A | BS-690946 | Plug-Oil Drain (3/8" Standard) | 108A | BS-699808 | Valve-Choke |
| 16 | BS-691046 | Crankshaft | 117A | BS-698784 | Jet-Main (Standard) |
| 20 | BS-690947 | Seal-Oil (PTO Side) | 118 | BS-699820 | Jet-Main (High Altitude) |
| 22 | BS-694966 | Screw (Crankcase Cover/ Sump) | 121A | BS-699814 | Kit-Carburetor Overhaul |
| 23 | BS-691053 | Flywheel | 122 | BS-699802 | Spacer-Carburetor |
| 24 | BS-222698S | Key-Flywheel | 125A | BS-699807 | Carburetor |
| 25 | BS-499588 | Piston Assembly (Standard) | 127 | BS-699810 | Plug-Welch |
| | BS-499590 | Piston Assembly (.020") | 130 | BS-699809 | Valve-Throttle |
| 26 | BS-499604 | Ring Set (Standard) | 131A | BS-699812 | Kit-Throttle Shaft |
| | BS-499606 | Ring Set (.020") | 133 | BS-694914 | Float-Carburetor |
| 27 | BS-690975 | Lock-Piston Pin | 137A | BS-698781 | Gasket-Float Bowl |
| 28 | BS-690229 | Pin-Piston (Standard) | 141A | BS-699811 | Kit-Choke Shaft |
| 29 | BS-499583 | Rod-Connecting (Standard) | 146 | BS-690979 | Key-Timing |
| | BS-697253 | Rod-Connecting (.020") | 165 | BS-693148 | Nut (Ring Gear) |
| 32 | BS-690976 | Screw (Connecting Rod) | 187 | BS-699799 | Line-Fuel |
| 33 | BS-499596 | Valve-Exhaust | 187A | BS-691049 | Line-Fuel (Molded) |
| 34 | BS-697464 | Valve-Intake | 188 | BS-691003 | Screw (Control Bracket) |
| 35 | BS-690963 | Spring-Valve (Intake) | 192 | BS-690083 | Adjuster-Rocker Arm |
| 36 | BS-690963 | Spring-Valve (Exhaust) | 209 | BS-698071 | Spring-Governor |
| 42 | BS-499586 | Keeper-Valve | 211 | BS-691019 | Spring-Governed Idle |

407577-0110

| REF. NO. | PART NO. | DESCRIPTION | REF. NO. | PART NO. | DESCRIPTION |
|----------|------------|-------------------------------|----------|-----------|-------------------------------|
| 212 | BS-699805 | Link–Throttle | 447 | BS-691003 | Screw (Air Guide Cover) |
| 213 | BS-691021 | Bracket–Choke Control | 447A | BS-691108 | Screw (Air Guide Cover) |
| 216 | BS-691022 | Link–Choke | 474D | BS-696458 | Alternator |
| 219 | BS-698231 | Gear–Governor | 501 | BS-691185 | Regulator |
| 220 | BS-690412 | Washer (Governor Gear) | 505 | BS-691029 | Nut (Governor Control Lever) |
| 222 | BS-698761 | Bracket–Control | 510 | BS-696541 | Drive–Starter |
| 227 | BS-691048 | Lever–Governor Control | 513 | BS-692024 | Clutch–Drive |
| 231 | BS-690718 | Screw (Choke Valve) | 523 | BS-691036 | Dipstick |
| 239 | BS-491657S | Switch–Oil Pressure | 524 | BS-691032 | Seal–Dipstick Tube |
| 240 | BS-691035 | Filter–Fuel | 525 | BS-691037 | Tube–Dipstick |
| 250 | BS-690957 | Retainer–Breather | 526 | BS-691108 | Screw (Regulator) |
| 252 | BS-690956 | Collector–Oil | 544 | BS-692034 | Armature–Starter |
| 265 | BS-691024 | Clamp–Casing | 552 | BS-690552 | Bushing–Governor Crank |
| 267 | BS-94694 | Screw | 552A | BS-690553 | Bushing–Governor Crank |
| 276 | BS-695410 | Washer–Sealing | 562 | BS-690311 | Bolt (Governor Control Lever) |
| 287 | BS-691108 | Screw (Dipstick Tube) | 573 | BS-691009 | Plate–Back |
| 304 | BS-695277 | Housing–Blower (Black) | 579 | BS-691029 | Nut (Starter Cable) |
| 305 | BS-691005 | Screw (Blower Housing) | 601 | BS-691038 | Clamp–Hose |
| 309 | BS-497595 | Motor–Starter | 615 | BS-698290 | Shaft–Governor Retainer |
| 310 | BS-690323 | Bolt (Starter Motor) | 616 | BS-691045 | Crank–Governor |
| 311 | BS-497608 | Brush Set | 628 | BS-691108 | Screw (Fuel Pump Bracket) |
| 332 | BS-691059 | Nut (Flywheel) | 633 | BS-695414 | Seal–Choke/Throttle Shaft |
| 333 | BS-691060 | Armature–Magneto | 635 | BS-66538S | Boot–Spark Plug |
| 334 | BS-691061 | Screw (Magneto Armature) | 654 | BS-690958 | Nut (Carburetor) |
| 337 | 759-3336 | Plug–Spark | 668 | BS-691215 | Spacer |
| 358A | BS-699823 | Gasket Set–Engine | 691 | BS-690657 | Seal–Governor Shaft |
| 385 | BS-691108 | Screw (Fuel Pump) | 695 | BS-693149 | Screw (Ring Gear) |
| 387 | BS-808656 | Pump–Fuel | 697 | BS-690372 | Screw (Drive Cap) |
| 404 | BS-690442 | Washer (Governor Crank) | 703 | BS-691010 | Clip |
| 405A | BS-697820 | Screw (Back Plate) (Mounting) | 710 | BS-697474 | Cover–Oil Filter |
| 415 | BS-690283 | Plug | 718 | BS-690959 | Pin–Locating |
| 431 | BS-699806 | Elbow–Intake | 726 | BS-499612 | Gear–Ring |
| 445 | BS-499486S | Filter–Air Cleaner Cartridge | 729 | BS-694123 | Clip–Wire |

407577-0110

| REF. NO. | PART NO. | DESCRIPTION | REF. NO. | PART NO. | DESCRIPTION |
|----------|------------|------------------------------|----------|-----------|--------------------------------|
| 741 | BS-690980 | Gear–Timing | 968 | BS-790095 | Cover–Air Cleaner |
| 742 | BS-690328 | Retainer–E Ring | 975A | BS-699502 | Bowl–Float |
| 750 | BS-696999 | Screw (Oil Pump Cover) | 977A | BS-699815 | Gasket Set–Carburetor |
| 783 | BS-693058 | Gear–Pinion | 987 | BS-699813 | Seal–Throttle Shaft |
| 788 | BS-691039 | Bracket–Fuel Pump | 1005 | BS-499603 | Fan–Flywheel |
| 789A | BS-698330 | Harness–Wiring (6 Pin) | 1013 | BS-231573 | Nipple–Oil Filter |
| 797 | BS-693167 | Nut (Brush Retainer) | 1017 | BS-690770 | Screen–Oil Pump |
| 798 | BS-697890 | Screw (Rocker Arm) | 1019 | BS-790094 | Kit–Label |
| 801 | BS-691283 | Cap–Drive | 1022 | BS-690971 | Gasket–Rocker Cover |
| 802 | BS-691286 | Cap–End | 1023 | BS-499599 | Cover–Rocker Arm (Cylinder 1) |
| 803 | BS-693757 | Housing–Starter | 1023A | BS-499600 | Cover–Rocker Arm (Cylinder 2) |
| 842 | BS-691031 | Seal–O Ring (Dipstick) | 1024 | BS-499054 | Pump–Oil |
| 847 | BS-499602 | Dipstick/Tube Assembly | 1026 | BS-690981 | Rod–Push (Steel) |
| 851 | BS-493880S | Terminal–Spark Plug | 1026A | BS-690982 | Rod–Push (Aluminum) |
| 865 | BS-691012 | Cover–Air Guide (Cylinder 1) | 1027 | BS-492932 | Filter–Oil |
| 865A | BS-691014 | Cover–Air Guide (Cylinder 2) | 1029 | BS-690972 | Arm–Rocker |
| 865B | BS-691015 | Cover–Air Guide (Valley) | 1035 | BS-691042 | Shaft–Pump |
| 868 | BS-690968 | Seal–Valve | 1036 | BS-695704 | Label–Emissions |
| 877C | BS-399916 | Wire/Connector–Alternator | 1051 | BS-691265 | Ring–Retaining |
| 878 | BS-691237 | Harness–Alternator | 1054 | BS-280275 | Tie–Cable |
| 883 | BS-690970 | Gasket–Exhaust | 1070 | BS-691058 | Screw (Flywheel Fan) |
| 914 | BS-691127 | Screw (Rocker Cover) | 1090 | BS-691293 | Retainer–Brush |
| 918 | BS-694000 | Hose–Vacuum | 1095A | BS-699822 | Gasket Set–Valve |
| 943 | BS-690589 | Seal–O Ring (Oil Pump Cover) | 1100 | BS-690973 | Pivot–Rocker Arm |
| 947 | BS-699728 | Solenoid–Fuel | 1119 | BS-93621 | Screw (Alternator) |
| 965 | BS-499613 | Cover–Oil Pump | 1127 | BS-695407 | Screw (Float Bowl) |
| 967 | BS-273638S | Filter–Pre Cleaner | 1280 | BS-697475 | Seal–O Ring (Oil Filter Cover) |

| | | |
|-----|-----------|-----------------|
| N/S | 01009769P | Complete Engine |
| N/S | BS-692714 | Short Block |