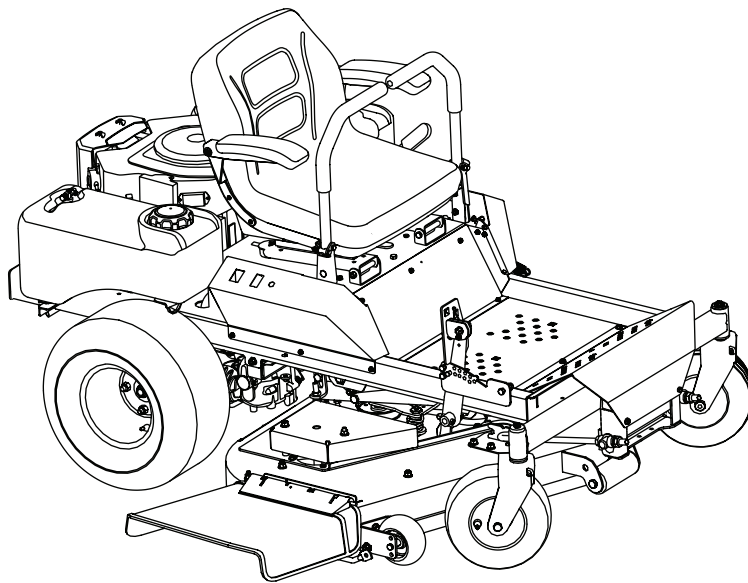


---

# *Cub Cadet*<sup>®</sup>

## ILLUSTRATED PARTS MANUAL



**Z-Force 44/48/54**

---

CUB CADET LLC, P.O. BOX 361131 CLEVELAND, OHIO 44136-0019

---

# To The Owner

## Thank You

Thank you for purchasing a Cub Cadet Zero-Turn Tractor. It was carefully engineered to provide excellent performance when properly operated and maintained.

All information in this manual is relative to the most recent product information available at the time of printing. Please be aware that this Illustrated Part's Manual may cover a range of product specifications for various models.

Components listed and/or illustrated in this manual may not be applicable to all models. We reserve the right to change product specifications, designs and equipment without notice and without incurring obligation.

Throughout this manual, all references to *right* (RH) and *left* (LH) are observed from the operating position.

## Table of Contents

<b>Battery</b> .....	10	<b>Frame</b> .....	3
<b>Body Assembly</b> .....	6	<b>Fuel Tank</b> .....	12
<b>Brake Assembly</b> .....	7	<b>Labels</b> .....	67
<b>Consoles</b> .....	6	<b>Lapbars</b> .....	8
<b>Deck Assembly</b> .....	18	<b>Meter, Systems Indicator</b> .....	10
<b>Deck Lift Assembly</b> .....	5	<b>Muffler</b> .....	12
<b>Deck Spindle Assembly, 44"</b> .....	14	<b>PTO Lever</b> .....	10
<b>Deck Spindle Assembly, 48/54"</b> .....	16	<b>Seat</b> .....	4
<b>Engine, Kohler SV710-0035</b> .....	20-35	<b>Solenoid</b> .....	10
<b>Engine Kohler SV715-3025</b> .....	36-51	<b>Switches, Interlock</b> .....	10
<b>Engine Kohler SV720-3044</b> .....	52-65	<b>Throttle Control</b> .....	12
<b>Electrical</b> .....	10	<b>Transmission</b> .....	9
<b>Electrical Schematic</b> .....	66	<b>Wheels, Front &amp; Rear</b> .....	11
<b>Engine Accessories</b> .....	12		

## Record Product Information

To ease in ordering replacement parts, please locate the model plate on the equipment and record the information in the provided area to the right. You can locate the model plate by looking beneath the seat.

### MODEL NUMBER

--	--	--	--	--	--	--	--	--	--	--

### SERIAL NUMBER

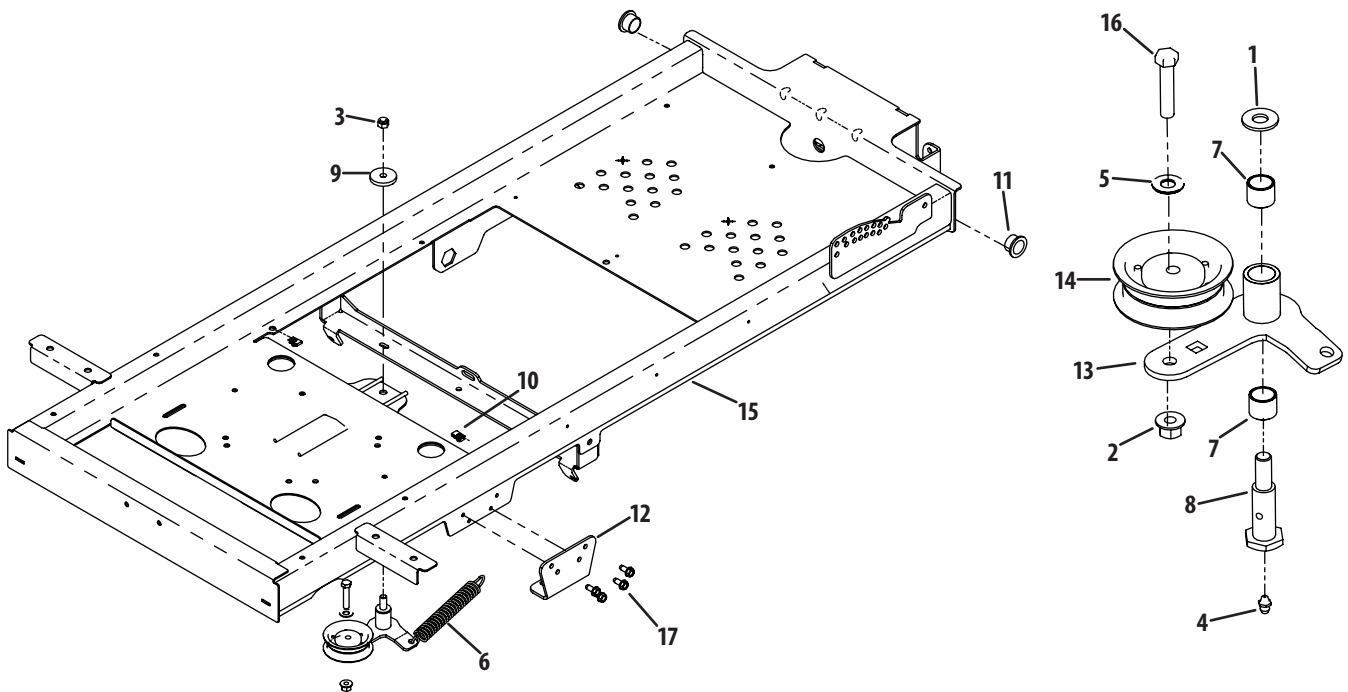
--	--	--	--	--	--	--	--	--	--	--

## Painted Parts

When ordering painted service parts, a four digit color suffix must be added to the part number (e.g. 783-XXXXX-0637). Please refer to the table below for current color codes:

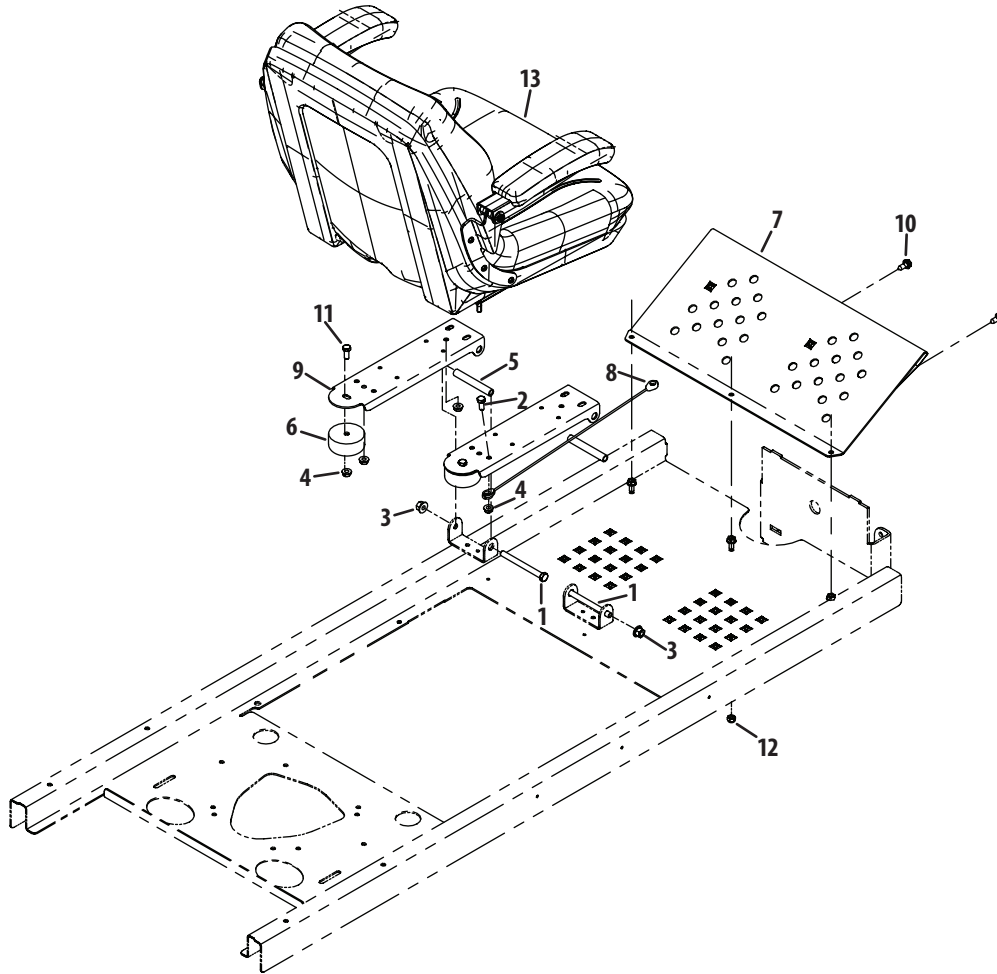
0637	Black
4021	Yellow (Cub Cadet)
0499	Beige (Cub Cadet)

0685	Blue (Cub Cadet)
0691	Black Jack (Cub Cadet Commercial)



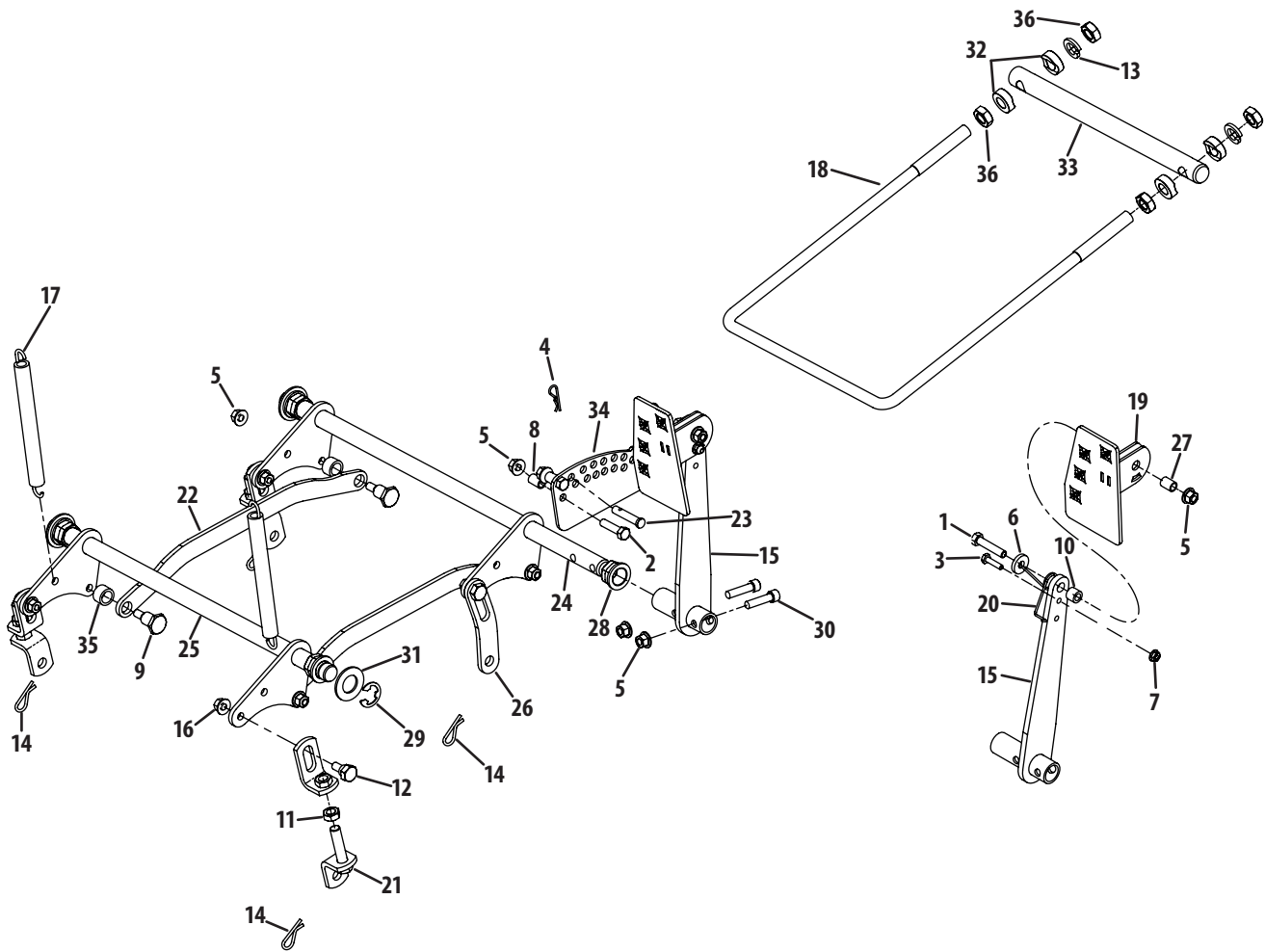
Ref	Part Number	Description
1	00006168	Flat Washer, $\frac{3}{8}$
2	00022560	Flange Lock Nut, $\frac{3}{8}$ -16
3	712-0290	Nylock Nut, $\frac{7}{16}$ -14
4	00060078	Grease Fitting, $\frac{1}{4}$ -28 x $\frac{3}{16}$
5	00061053	Washer, $\frac{3}{8}$
6	01000199	Extension Spring, 1.00 x 5.00
7	01000308	Bearing Sleeve
8	738-3108	Shoulder Bolt
9	01003269	Flat Washer, $\frac{7}{16}$ x 1.75
10	01008539P	U-Nut, $\frac{1}{4}$ -20
11	02002628	Bronze Bushing, .875 x 1.50
12	02002641	Transmission Mounting Bracket
13	02003641	Idler Arm
14	02004558	Flat Idler Pulley
15	02004865	Frame Assembly
16	710-0347	Hex Cap Screw, $\frac{3}{8}$ -16 x 1- $\frac{3}{4}$
17	710-04484	Self Tapping Screw, $\frac{5}{16}$ -18 x .750

# Seat Assembly



Ref.	Part Number	Description
1	00011925	Hex Cap Screw, $\frac{3}{8}$ -16 x 4.00
2	00013406	Hex Cap Screw, $\frac{5}{16}$ -18 x $\frac{3}{4}$
3	00022560	Flange Lock Nut, $\frac{3}{8}$ -16
4	712-3004A	Flange Lock Nut, $\frac{5}{16}$ -18
5	01009872	Spacer, .370 ID x .500 x 3.45
6	02002952	Bumper, 2.50 x 1.13
7	02002960	Foot Rest Bracket
8	02004062P	Lift Cable
9	703-06691	Seat Mounting Bracket
10	710-04484	Self Tapping Screw $\frac{5}{16}$ -18 x .750
11	710-3008	Hex Cap Screw, $\frac{5}{16}$ -18 x .75
12	912-0429	Nylock Nut, $\frac{5}{16}$ -18
13	757-04070	Seat

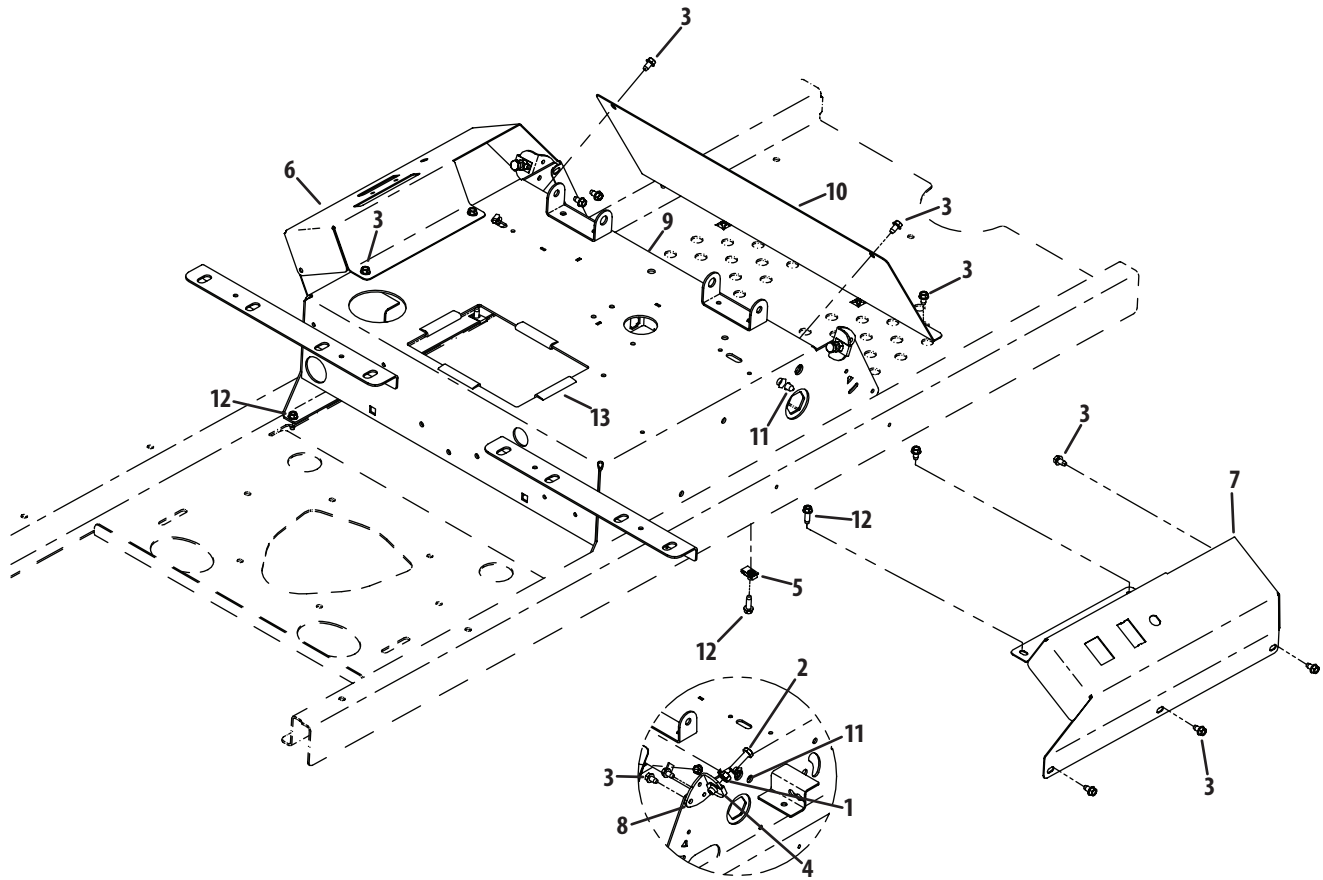
# Lift Assembly



Ref.	Part Number	Description
1	00008495	Hex Screw, 3/8-16 x 1.75
2	00011438	Hex Screw, 3/8-16 x 1.50
3	00013416	Hex Screw, 1/4-20 x 1.00
4	00021956	Hair Pin, 3/8 x 1.562 x .080
5	00022560	Flange Counterlock Nut, 3/8-16
6	00083192	Washer, .390 x 1.00 x .180
7	912-3027	Flange Toplock Nut, 1/4-20
8	01003468	Spacer, .375 x .500 x .750
9	01003536	Shoulder Bolt, 3/8-16 x .625 x .830
10	01007312	Spacer, .385 x .625 x .500
11	01008658	Jam Nut, 1/2-20
12	02000393	Shoulder Bolt, 3/8-16 x .56 x .27
13	02000671	Lock Washer, .633 x 1.07 x .161
14	02000673	Hair Pin, 1/2 x 1.625 x .125
15	02002374	Foot Lift Pivot Assembly
16	02002382	Adjustable Deck Lift Bracket
17	02002629	Extension Spring, .75 x 7.89 x .14
18	02002879	Front Lift Rod

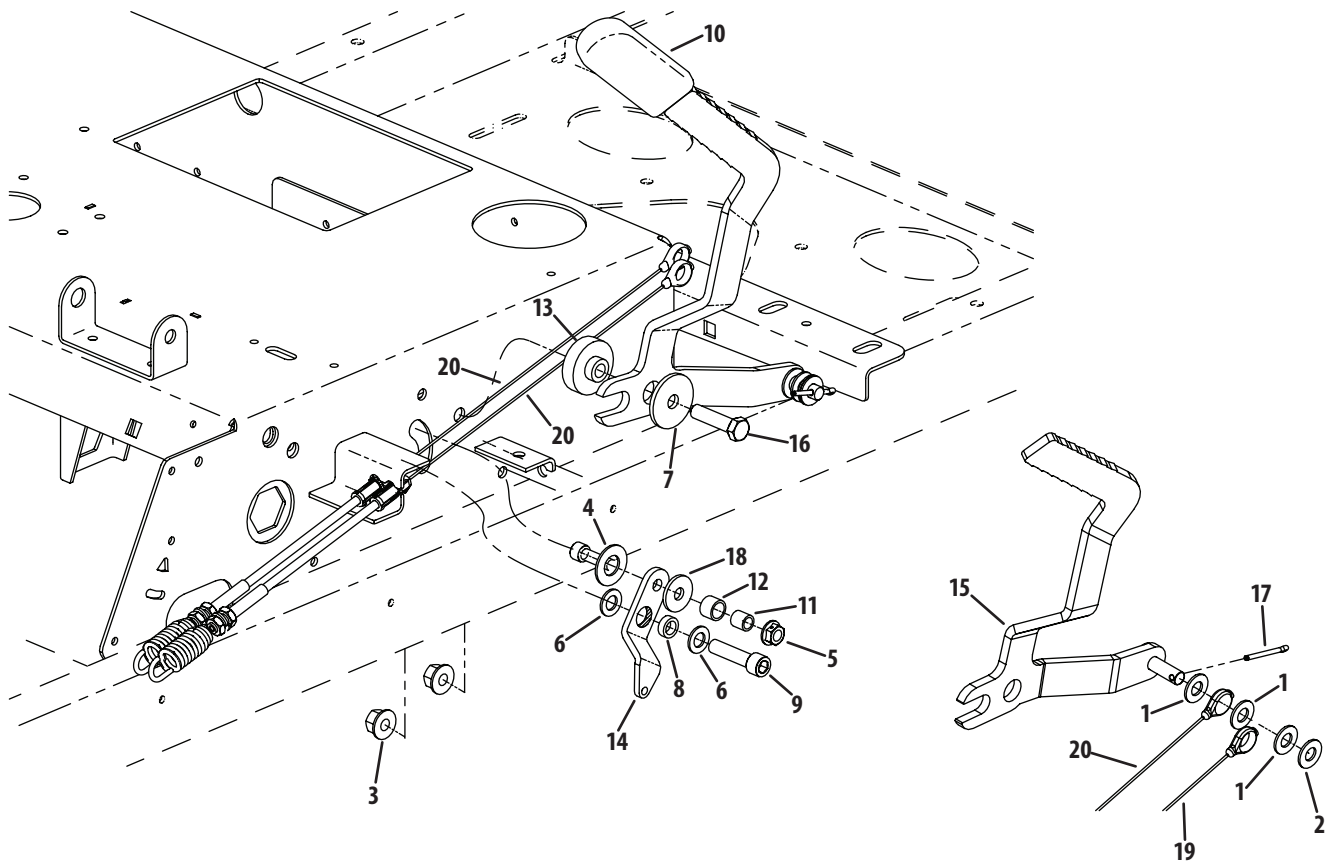
Ref.	Part Number	Description
19	02002880	Foot Pedal Assembly
20	02002882	Torsion Spring, .900 x 2.3 x .09
21	02002890	Lower Bracket Assembly
22	02002893	Lift Connecting Link
23	02002907	Clevis Pin, 3/8 x 2.05
24	02002915	Front Shaft Assembly
25	02002916	Rear Shaft Assembly
26	02002979	Curved Link Plate
27	02003436	Spacer, .380 x .500 x .667
28	02003685	Hex Flange Bearing, 3/8
29	02003716	Retaining Clip, .675
30	02003717	Socket Cap Screw, 3/8-16 x 1.50
31	02003720	Washer, .940 x 1.75 x .110
32	02003751	Spacer, .635 x 1.2 x .41
33	02004227	Trailing Link Pivot Rod
34	02004694	Index Plate
35	02005535	Spacer, .632 x .877 x .548
36	912-3015	Jam Nut, 5/8-11

# Body Assembly



Ref.	PartNumber	Description
1	00012166	Hex Nut, 5/16-18
2	00013116	HHCS, 5/16-18 x 1-1/4
3	710-0599	Screw, 1/4-20 x 1/2
4	01003563	U-Nut, 5/16-18
5	01008539P	U-Nut, 1/4-20
6	02002735	Left Hand Control Console
7	02002736	Right Hand Control Console
8	02002761	Forward/Reverse Stop Bracket
9	680-00048	Control Housing Weldment
10	703-07000	Front Panel
11	710-04484	Self-Tapping Screw 5/16-18 x .750
12	710-0642	Self-Tapping Screw, 1/4-20 x .75
13	735-04130	Battery Edge Trim

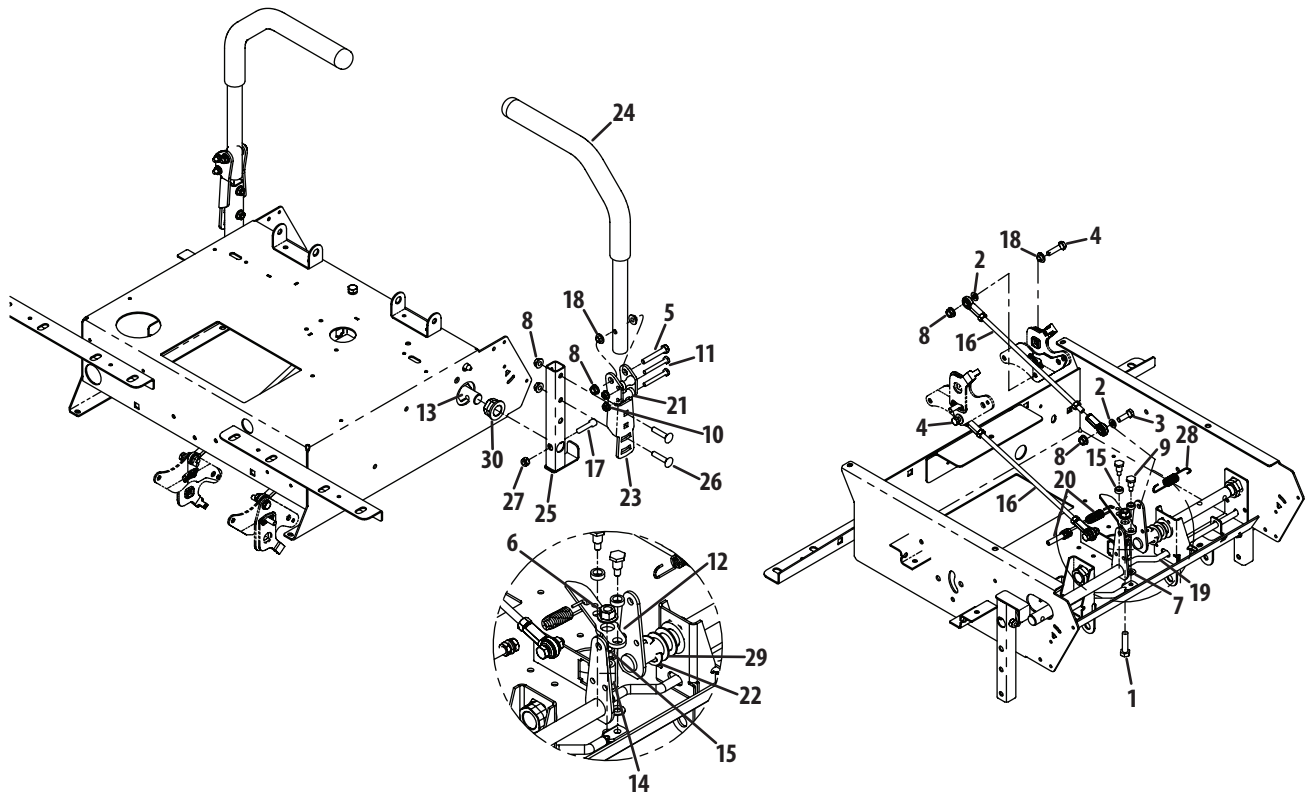
# Brake Assembly



Ref.	Part Number	Description
1	00005530	Flat Washer, .406 x .812 x .062
2	00012180	Flat Washer, 3/8
3	00022560	Hex Nut, 3/8-16 Flange Lock
4	01000101	Slide Washer
5	712-3004A	Flange Lock Nut, 5/16-18
6	01002710	Washer, .375 x .738 x .063
7	01009253	Flat Washer, .390 x 1.5 x .134
8	02002885	Spacer, .380 x .563 x .196
9	02003717	Sockethead Capscrew, 3/8-16 x 1.50
10	02003740	Parking Brake Grip

Ref.	Part Number	Description
11	02003839	Spacer, .322 x .438 x .44
12	02003840	Spacer, .442 x .563 x .405
13	02004045	Step Hub, .379 x 1.5 x .257/.400
14	02004174	Lockout Lever Plate
15	680-00049	Brake Handle
16	710-0520	Hex Head Cap Screw, 3/8-16 x 1.50
17	914-0474	Cotter Pin, 1/8 x .75
18	736-3089	Washer, .345 x 1.00 x .100
19	946-04564	Left Hand Brake Cable
20	946-04565	Right Hand Brake Cable

# Steering Assembly

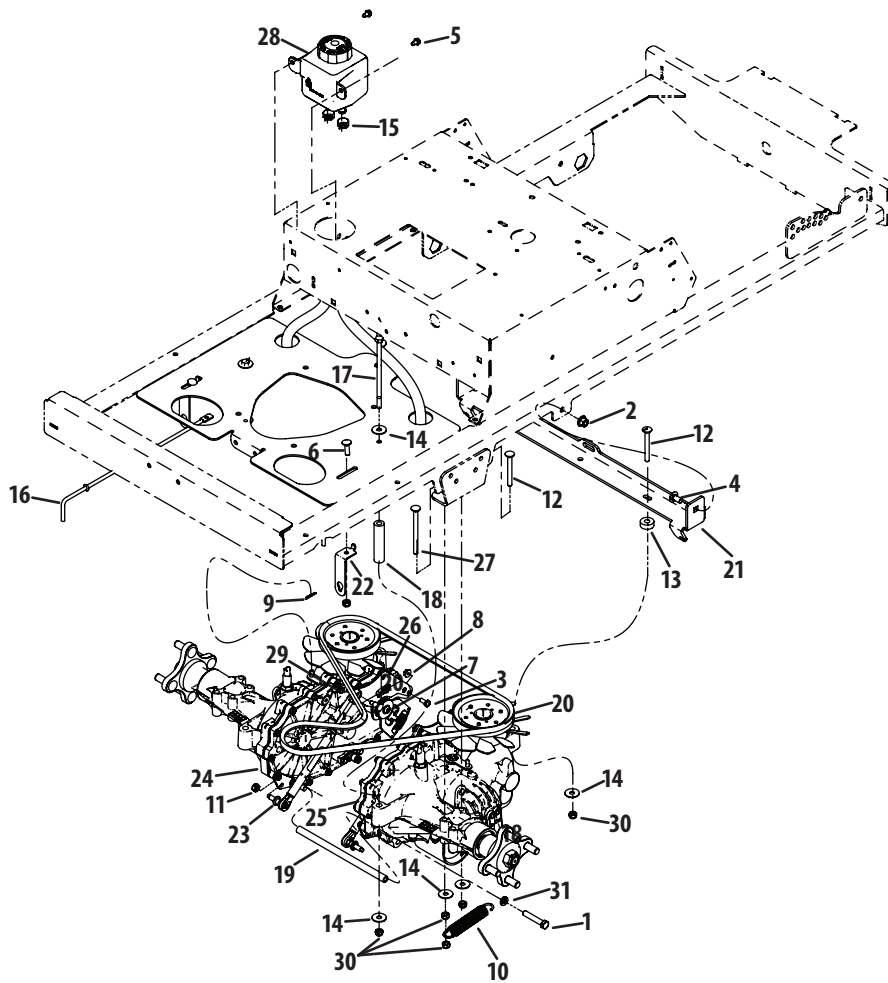


Ref	Part Number	Description
1	00011438	Hex Cap Screw, 3/8-16 x 1-1/2
2	00012169	Flat Washer, 5/16
3	00012180	Hex Head Cap Screw, 5/16-18 x 1.00
4	00013116	Hex Screw, 5/16-18 x 1-1/4
5	00013198	Hex Cap Screw, 5/16-18 x 2.00
6	00022560	Flange Lock Nut, 3/8-16
7	936-0463	Flat Washer, 1.4 x .630 x .0515
8	712-3004A	Lock Nut, 5/16-18
9	01001919	Shoulder Screw, 1/4-28
10	912-3027	Hex Flange Lock Nut, 1/4-20
11	01006898	Hex Cap Screw, 1/4-20 x 2.00
12	02002684	Brake Lever Plate
13	02002723	Steering Input Shaft Assembly
14	02002844	Spacer, .385 x .625 x .869
15	02002885	Spacer, .380 x .563 x .196

Ref	Part Number	Description
16	02002992	Steering Link Rod
17	02002994	Socket Head Capscrew, 5/16-18 x 1.25
18	02003419	Bushing, .310 x .172 x .688 x .06
19	02003560	Control Lock Rod
20	02003568	Control Cable Lock Out
21	02003644	Spacer, .25 x .38 x 1.13
22	02003716	E-Clip Retainer Ring
23	02003853	Lapbar Pivot Bracket
24	02003855	Lapbar Handle/Grip Assembly
25	680-00050	Pivot Bracket Weldment
26	710-0262	Carriage Bolt, 5/16-18 x 1.50
27	912-0429	Nylock Nut, 5/16-18
28	732-04610	Extension Spring, .544 x 3.35
29	936-0287	Flat Washer, .793 x 1.24 x .060
30	941-0598	Hex Flange Bearing, .752



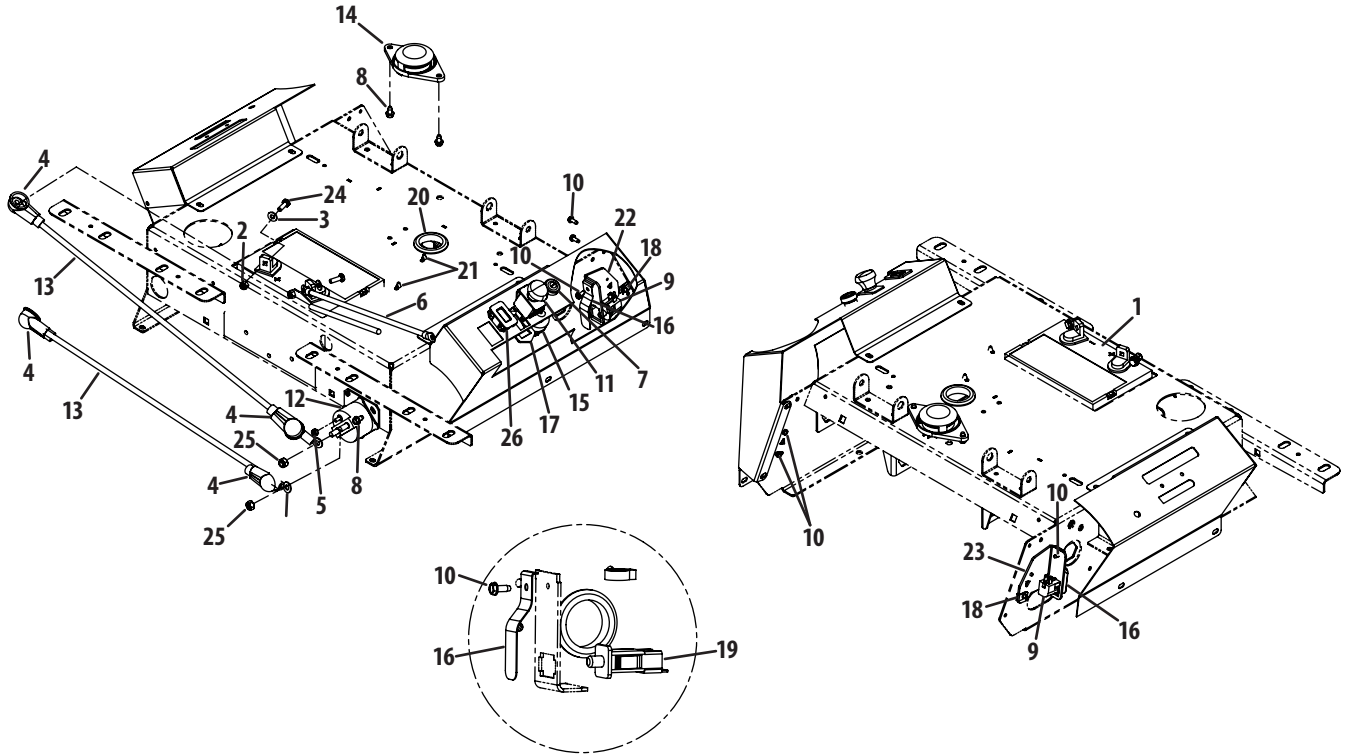
# Transmission Assembly



Ref.	Part Number	Description
1	00012172	Hex Screw, 3/8-16 x 2.00
2	00022560	Flange Counterlock Nut, 3/8-16
3	710-0751	Hex Screw, 1/4-20 x .620
4	710-3178	Carriage Bolt, 3/8-16 x .75
5	710-0599	Hex Flange Screw, 1/4-20 x .500
6	01000641	Carriage Bolt, 5/16-18 x 1.00
7	01001919	Shoulder Bolt, 1/4-28 x .38 x .465
8	912-3027	Flange Toplock Nut, 1/4-20
9	914-0104	Hair Pin, 1/8 x 1.125 x .072
10	01002874	Extension Spring, .865 x 4.7 x .12
11	01003561	Nylock Nut, M8-1.25
12	01005340	Carriage Bolt, 5/16-18 x 2.75
13	750-3119	Spacer, .406 x 1.00 x .38
14	01009937	Washer, .313 x 1.06 x .062
15	02001111	Hose Clamp, .750
16	02001332	Pump Relay Rod

Ref.	Part Number	Description
17	02001556	Hex Screw, 5/16-18 x 6.00
18	02002646	Spacer, .375 x .750 x 3.30
19	02002647	Transmission Support Tube
20	02002648	V-Belt
21	02002679	Transmission Bracket Weldment
22	02002965	Neutral Bracket
23	02003622	Damper
24	02004678P	LH Transmission
25	02004679P	RH Transmission
26	02004681	Control Arm Damper Bracket
27	02005326	Carriage Bolt, 5/16-18 x 4.0
28	631-04286	Expansion Tank Assembly
29	712-04177	Jam Nut, 1/4-28
30	912-0429	Hex Lock Nut, 5/16-18
31	936-0169	Lock Washer, 3/8

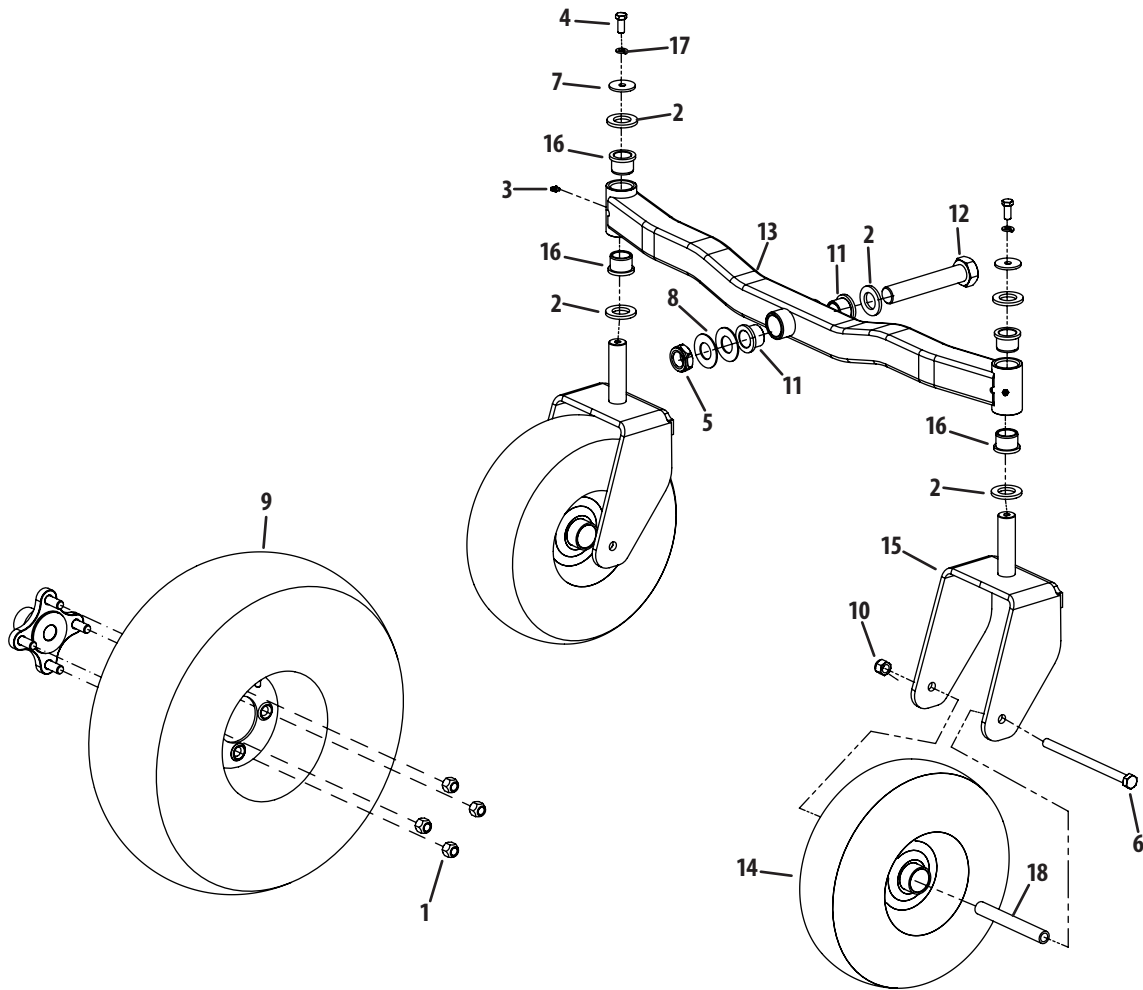
# Electrical



Ref.	Part Number	Description
1	925-1707D	Battery
2	00012152	Nylock Nut, 1/4-20
3	00012154	Washer, .281 x .625 x .063
4	00013258	Boot Terminal, 1.00 x 2.50
5	00014608	Nylock Nut, #10-32
6	00024233	Battery Cable
7	00032097	Nut, 5/8-32
8	710-0599	Hex Flange Screw, 1/4-20 x .500
9	01001717	Switch
10	01001864	Flange Screw, #10-24 x .500
11	01002111	PTO Switch
12	01002228	Solenoid
13	01002252	Battery Cable
14	01003277	Seat Switch

Ref.	Part Number	Description
15	01003581P	Ignition Switch
16	732-04200	Renovator Spring
17	01009905	PTO Bracket
18	01009931	Nut, #10-24
19	02000024P	Delta Switch
20	02001134	Grommet, 1/8 x 1.5 x 2.13
21	02003037	Electric CDT Clip
22	02003926	RH Deck Switch Mount Bracket
23	02003927	LH Deck Switch Mount Bracket
24	710-3015	Hex Screw, 1/4-20 x .75
25	912-0429	Hex Lock Nut, 5/16-18
26	725-05120	Hour Meter
NS	02002990	Wiring Harness
NS	02005213	Harness Assembly

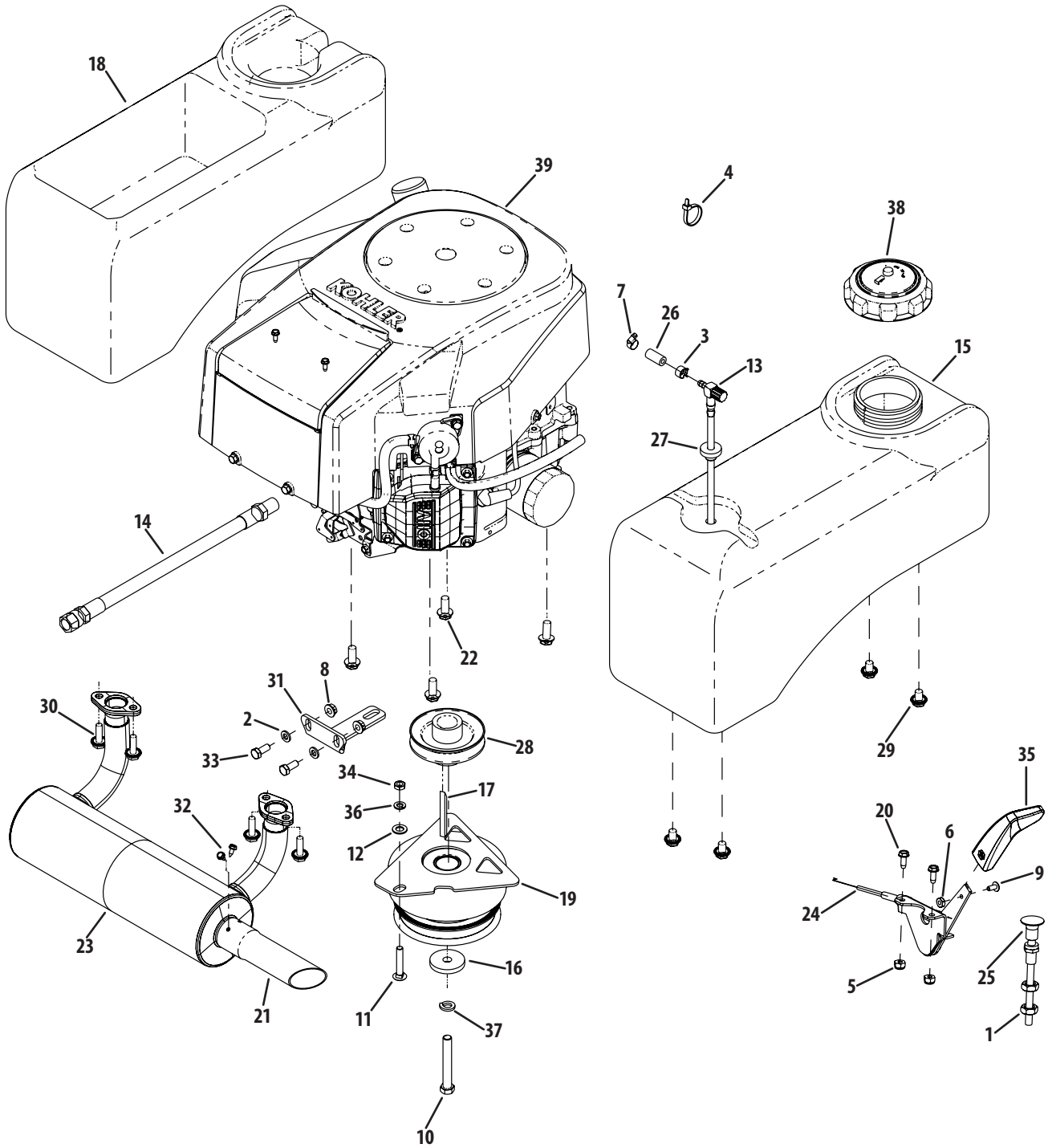
# Front Caster & Tire Assembly



Ref.	Part Number	Description
1	00012187	Lug Nut, 1/2-20
2	00023822	Washer, 1.00 x 1.75 x .172
3	00060078	Grease Fitting, 1/4-28
4	710-3001	Hex Screw, 3/8-16 x .880
5	712-3075	Jam Nut, 1-14
6	01006961	Hex Screw, 1/2-20 x 7.50
7	01009253	Washer, .390 x 1.50 x .122
8	02000588	Washer, 1.00 x :2.00 x .075
9	02000966	Wheel Assy., 20 x 8-10 (44" Deck)
—	634-04495	Wheel Assy., 20 x 8-10 (48" Deck)
—	02003490	Wheel Assy., 20 x 10.00 x 10 (54" Deck)

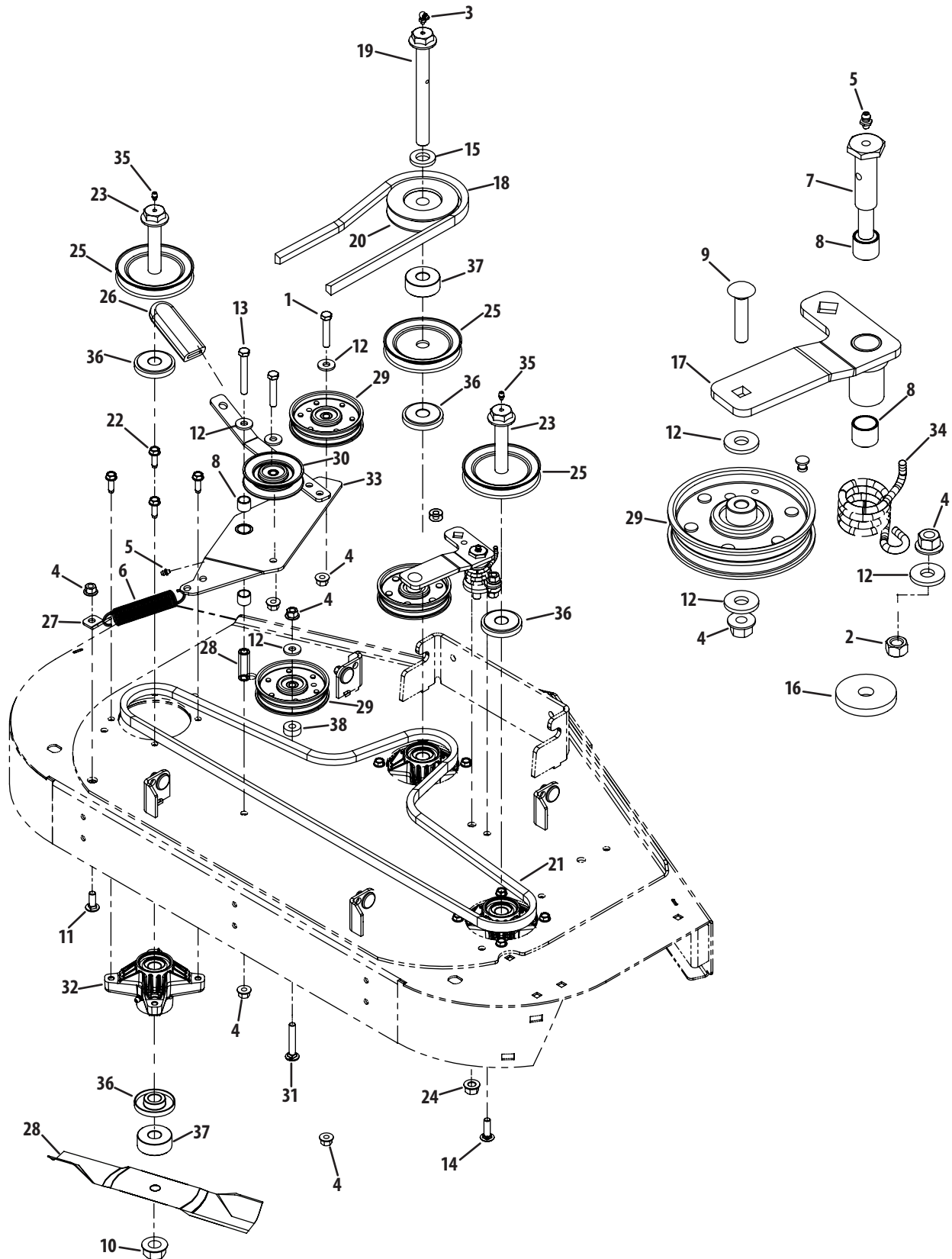
Ref.	Part Number	Description
10	02002299	Nylock Nut, 1/2-20
11	02003599	Flange Bearing, 1.001 x 1.25
12	02003804	Hex Screw, 1-14 x 5.5
13	02004600	Front Axle Weldment
14	02004999	Wheel Assembly, 13 x 5-6
15	02005001	Castor Wheel Mount Bracket Assy.
16	931-0374	Flange Bearing, 1.000 x 1.254
17	936-0169	Lock Washer, 3/8
18	750-04775A	Spacer, .51 x .75 x 5.825

# Engine Accessories



Ref.	Part Number	Description
1	00011453	Jam Nut, 3/8-24
2	00012169	Washer, .344 x .688 x .063
3	00012235	Hose Clamp, .490
4	725-0157	Cable Tie
5	00014608	Nylock Nut, #10-32
6	00060056	Nut, #8-32
7	01000215	Hose Clamp, .250-.625
8	712-3004A	Flange Counterlock Nut, 5/16-18
9	710-3217	Machine Screw, #8-32 x .356
10	710-0510	Hex Screw, 7/16-20 x 3.00
11	710-0458	Carriage Bolt, 5/16-18 x 1.75
12	01002710	Washer, .406 x .750 x .063
13	01003116	Fuel Pick-Up Fitting
14	01003283	Oil Drain Hose
15	01004350	Fuel Tank
16	736-04131	Washer, .438 x 1.745 x .250
17	01007533	Bevel Key, .250 x .250 x 2.75
18	01008138P	Utility Bin
19	01008434P	PTO
20	01008531P	Flange Screw, #10-32 x .500
21	01008623	Straight Exhaust Pipe
22	01009243	Flange Screw, 3/8-16 x .875
23	02000456	Muffler
24	02000477	Throttle Control Cable
25	02000478	Choke Cable
26	02001911-5	Fuel Hose, 1/4
27	02002253	Fuel Tank Grommet
28	02003417	Transmission Drive Pulley
29	02005013	Hex Flange Screw, 3/8-16 x .500
30	02005299	Hex Flange Screw, 5/16-18 x 1.0
31	703-07213	PTO Retainer Bracket
32	910-0224	Hex Washer Screw, #10-16 x 0.500
33	710-3008	Hex Screw, 5/16-18 x .75
34	712-3007	Jam Nut, 5/16-18
35	731-04914	Throttle Control Knob
36	936-0119	Lock Washer, 5/16
37	936-0171	Lock Washer, 7/16
38	951-3124E	Fuel Cap
39	KH-SV715-3025	Kohler SV715-3025 Engine
—	KH-SV710-0035	Kohler SV710-0035 Engine
—	02005087P	Kohler SV720-3044 Engine

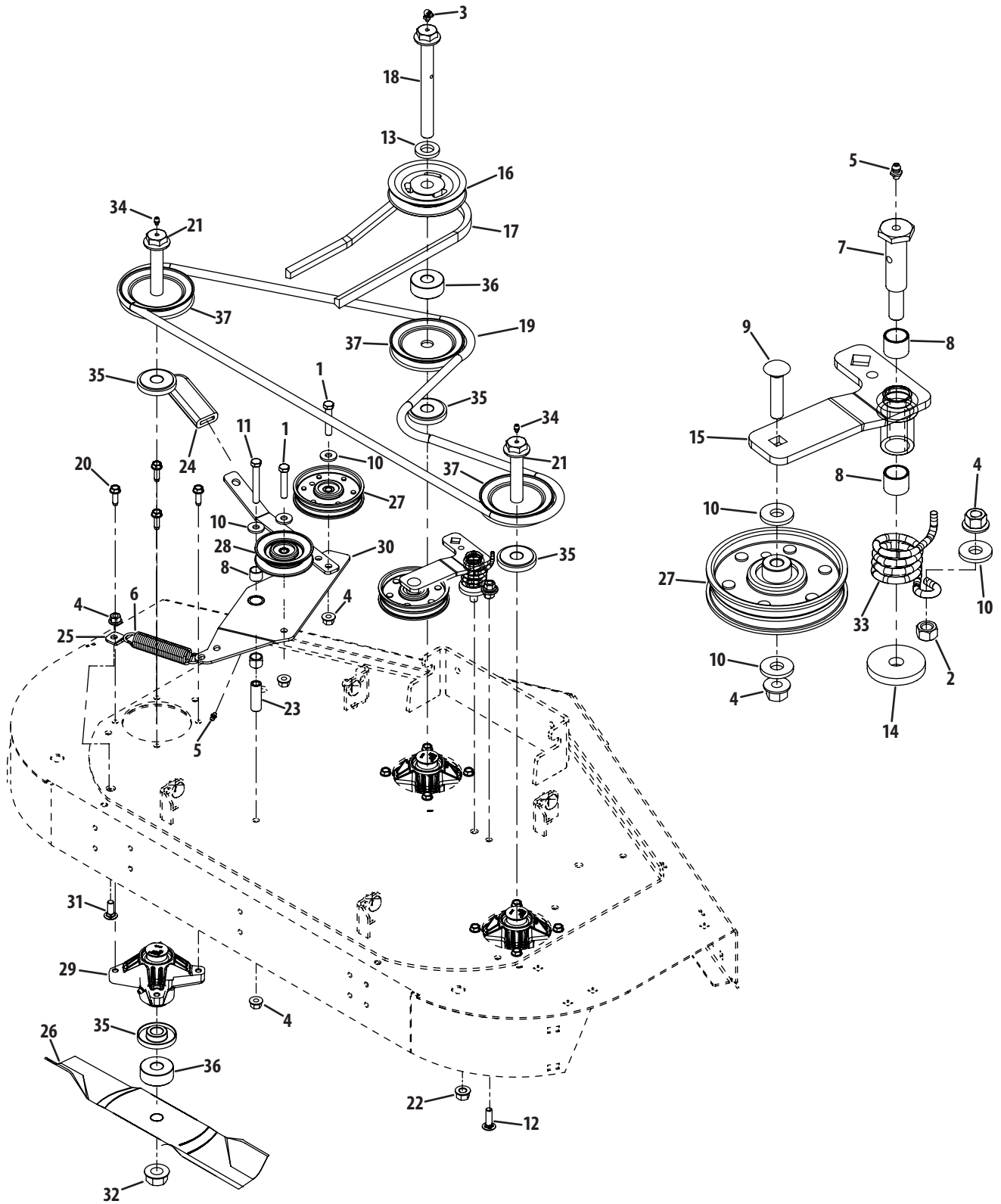
# 44" Deck Spindle Assembly



## 44" Deck Spindle Assembly

Ref.	Part Number	Description
1	00002528	Hex Screw, 3/8-16 x 2.00
2	912-3017	Nut, 3/8-16
3	737-3004	Grease Fitting, 1/4-28 x .788
4	00022560	Flange Counterlock Nut, 3/8-16
5	00060078	Grease Fitting, 1/4-28
6	01000199	Extension Spring, 1.00 x 5.00 x .125
7	01000302	Shoulder Bolt, .625 x 1.95
8	01000308	Sleeve Bearing, .628 x .753 x .625
9	710-0560	Carriage Bolt, 3/8-18 x 1.75
10	712-3078	Flange Nut, 3/4-16
11	01000643	Carriage Bolt, 3/8-16 x 1.00
12	736-3052	Washer, .406 x 1.00 x .105
13	710-3022	Hex Screw, 3/8-16 x 2.75
14	710-3034	Carriage Bolt, 3/8-16 x 1.25
15	01003123	Spacer, .812 x 1.47 x .218
16	01003269	Washer, .438 x 1.75 x .250
17	01005737	Idler Arm Assembly
18	01009787	V-Belt
19	02000071	Spindle Bolt, 3/4-16 x 7.155
20	02000079	Pulley
21	02000103	V-Belt
22	02000762	Hex Washer Screw, 5/16-18 x 1.00
23	02000819	Spindle Bolt, 3/4-16 x 5.37
24	02000948	Flange Lock Nut, 7/16-14
25	756-3089	V-Type Pulley
26	02003740	Flat Grip, 1.0 x 3.2 x .25
27	2004195	Spring Mount Bracket
28	02005020	Hi-Lift Blade, 16"
29	02005077	Riveted Idler Pulley
30	02005078	V-Type Idler Pulley
31	02005526	Carriage Bolt, 3/8-16 x 2.25
32	918-04426	Deck Spindle Assembly
33	853-000029	Weld Idler Double
34	732-3067	Torsion Spring, 1.10 x 1.3
35	737-3000	Drive Lube Fitting
36	748-3065A	Spindle Deck Spacer
37	750-05184	Spacer, .760 x 2.000 x .790
38	750-3119	Spacer, .406 x 1.00 x .38

# 48" & 54" Deck Spindle Assembly

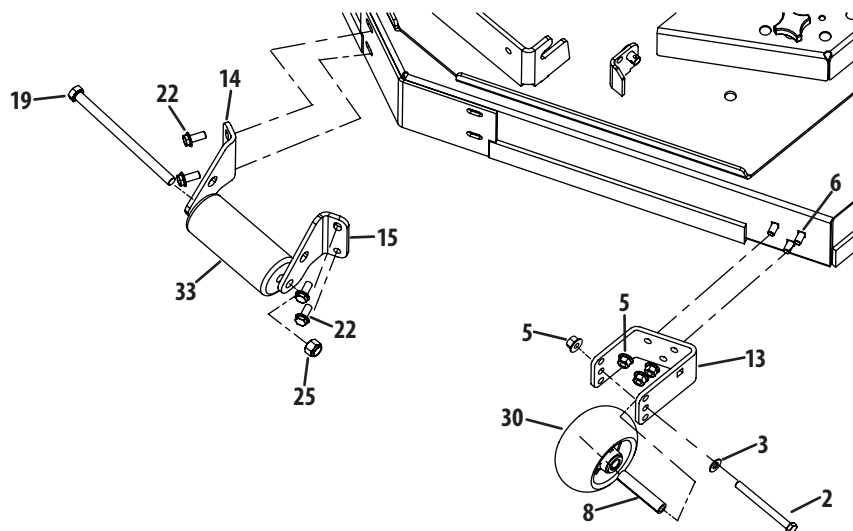
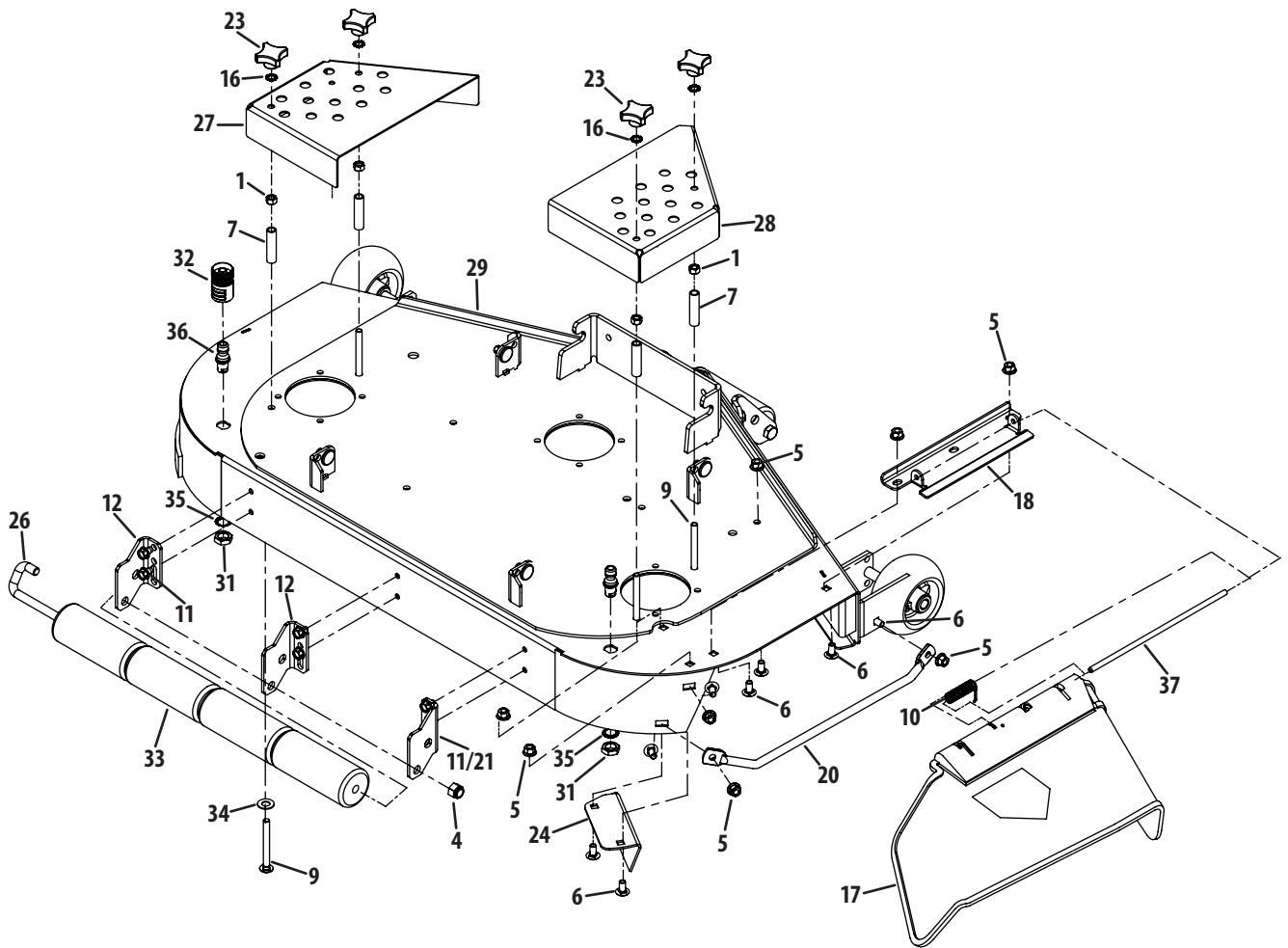




## 48" & 54" Deck Spindle Assembly

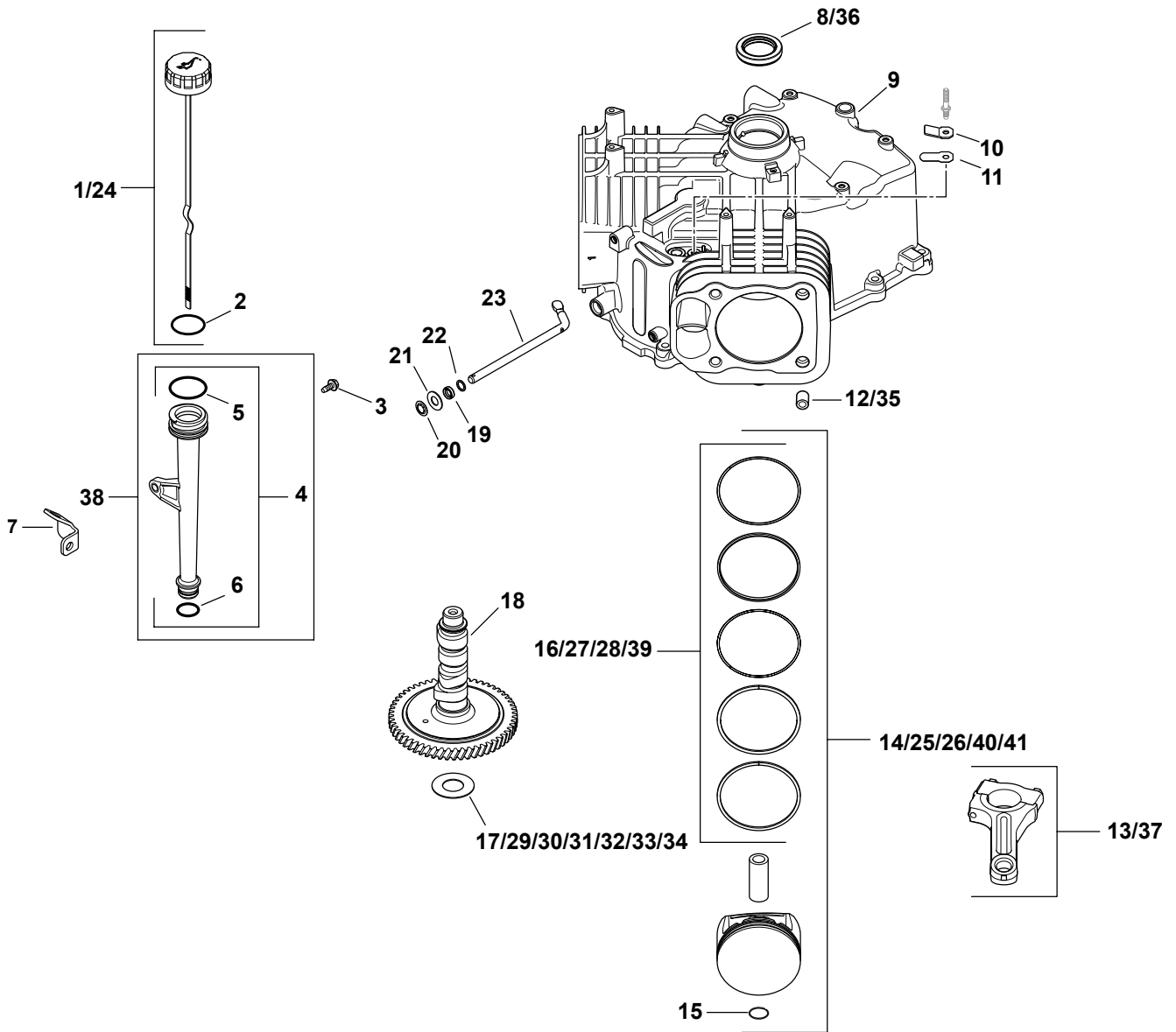
Ref.	Part Number	Description
1	00002528	Hex Screw, 3/8-16 x 2.00
2	912-3017	Nut, 3/8-16
3	737-3004	Grease Fitting, 1/4-28 x .788
4	00022560	Flange Counterlock Nut, 3/8-16
5	00060078	Grease Fitting, 1/4-28
6	01000199	Extension Spring, 1.00 x 5.00 x .125
7	01000302	Shoulder Bolt, .625 x 1.95
8	01000308	Sleeve Bearing, .628 x .753 x .625
9	710-0560	Carriage Bolt, 3/8-18 x 1.75
10	736-3052	Washer, .406 x 1.00 x .105
11	710-3022	Hex Screw, 3/8-16 x 2.75
12	710-3034	Carriage Bolt, 3/8-16 x 1.25
13	01003123	Spacer, .812 x 1.47 x .218
14	01003269	Washer, .438 x 1.75 x .250
15	01003405	Idler Arm Assembly
16	01005202	Pulley (48" Deck)
—	01005201	Pulley (54" Deck)
17	01009787	V-Belt (48" Deck)
—	01005012	V-Belt (54" Deck)
18	02000071	Hex Screw, 3/4-16 x 7.16
19	02000154	V-Belt (48" Deck)
—	02000653	V-Belt (54" Deck)
20	02000762	Hex Flange Screw, 5/16-18 x 1.00
21	02000819	Hex Flange Screw, 3/4-16 x 5.4
22	02000948	Flange Counterlock Nut, 7/16-14
23	02003640	Spacer, .390 x .625 x 1.88
24	02003740	Flat Grip, 1.0 x 3.2 x .25
25	2004195	Spring Mount Bracket
26	02005017	Hi-Lift Blade, 17.0
—	02005018	Hi-Lift Blade, 19.0
27	02005077	Idler Pulley
28	02005078	Idler Pulley
29	918-04426	Spindle Assembly
30	680-00051	Double Idler
31	710-3168	Carriage Bolt, 3/8-16 x 1.00
32	712-3078	Flange Lock Nut, 3/4-16
33	732-3067	Torsion Spring (48" Deck)
—	932-3009	Torsion Spring (54" Deck)
34	737-3000	Drive Lube Fitting
35	748-3065A	Deck Spindle Spacer
36	750-05184	Spacer, .760 x 2.000 x .790
37	756-3089	Pulley

# Deck Assembly



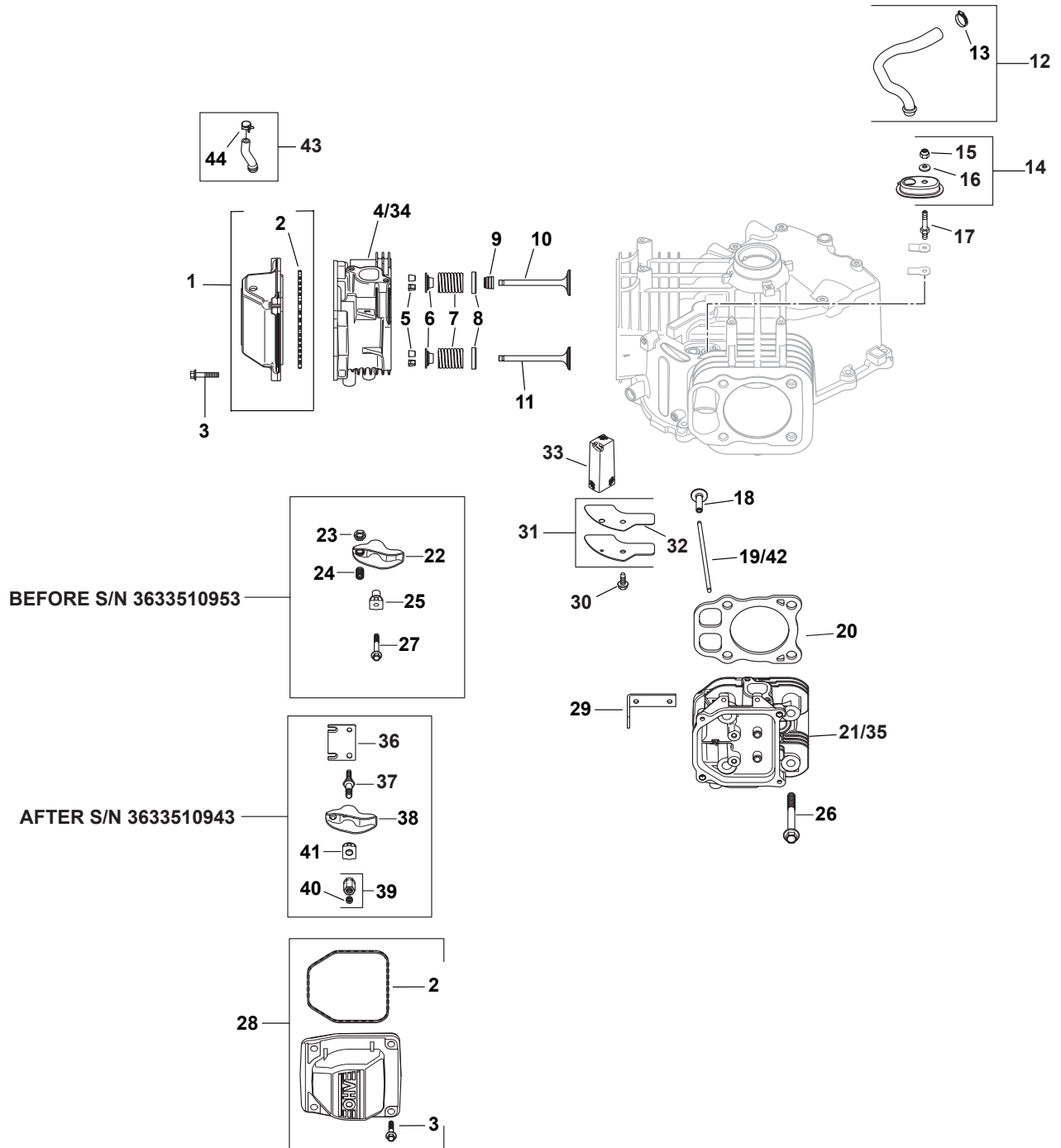
Ref.	Part Number	Description
1	912-3017	Nut, $\frac{3}{8}$ -16
2	00011925	Hex Screw, $\frac{3}{8}$ -16 x 4.00
3	00012158	Washer, .406 x .813 x .063
4	00012428	Nut, $\frac{1}{2}$ -13
—	712-3083	Hex Lock Nut, $\frac{1}{2}$ -13
5	00022560	Flange Counterlock Nut, $\frac{3}{8}$ -16
6	710-3178	Carriage Bolt, $\frac{3}{8}$ -16 x .75
7	01000395	Spacer, .400 x .560 x 2.45
8	750-3193	Spacer, .390 x .620 x 3.04
9	710-0521	Carriage Bolt, $\frac{3}{8}$ -16 x 3.50
10	01003253	Torsion Spring, .639 x 2.16 x .12
11	01004304	Flange Screw, $\frac{3}{8}$ -16 x .500
12	01004707	Roller Mount Bracket
13	01005243	Anit-Scalp Front Mount Bracket
14	01005244	LH Front Roller Mount Bracket
15	01005245	RH Front Roller Mount Bracket
16	01005851	Washer, .398 x .694 x .032
17	01006693	Chute Deflector
18	01006748	Chute Deflector Bracket
19	01006961	Hex Screw, $\frac{1}{2}$ -20 x 7.50
20	01008644	Finger Guard
21	01008790	RH Roller Mt. Brkt. (44 & 48" Deck)
22	01009243	Flange Screw, $\frac{3}{8}$ -16 x .875
23	02000040	Plastic Knob, $\frac{3}{8}$ -16
24	02001235	Micro Chute Baffle
25	02002299	Nut, $\frac{1}{2}$ -20
26	02002799	J-Hook
27	02003605	LH Belt Cover
28	02003606	RH Belt Cover
29	02005230	Deck Assembly (44")
—	02005231	Deck Assembly (48")
—	02005232	Deck Assembly (54")
30	634-3159	Wheel
31	912-0641	Hex Nut
32	921-04041	Water Nozzle Adapter
33	731-3005	Front Roller
34	936-0272	Flat Washer, .510 x 1.00 x .060
35	936-0760	Lock Washer, 17 x 23.8 x 1.95
36	737-04003D	Water Deck Nozzle
37	747-3384	Chute Deflector Rod

# Kohler SV710-0035 Crankcase



Ref.	Part Number	Description
2	KH-25-153-02-S	Dipstick Assembly (Includes 2)
3	KH-M-545013-S	Flg. Thd. Frm. Screw, M5 X 0.8 X 13
7	KH-24-126-19	Oil Fill Tube Bracket
10	KH-24-018-04-S	Breather Reed Retainer
11	KH-12-402-02	Breather Reed
12	KH-24-380-16-S	Locating Pin
14	KH-25-874-01-S	Piston Kit w/ Ring Set (Inc. 15, 16)
15	KH-24-018-01-S	Piston Pin Retainer
17	KH-12-422-07-S	Camshaft Shim (White .028")
18	KH-32-012-01-S	Camshaft Kit (Inc. KH-25-357-14-S)
19	KH-28-032-09-S	Governor Cross Shaft Seal
20	KH-24-018-09-S	Ring Retainer
21	KH-M-931010-S	Flat Washer, 9 Mm
22	KH-24-468-15-S	Flat Washer, 1 <sup>1</sup> / <sub>2</sub>
23	KH-24-144-38-S	Governor Cross Shaft
24	KH-24-038-04-S	Dipstick Assembly (Inc. 2)
25	KH-25-874-03-S	Piston Kit w/ Ring Set (0.25) 83mm
28	KH-24-108-16-S	Ring Set (.25)
29	KH-12-422-08-S	Camshaft Shim (Blue .03")
30	KH-12-422-09-S	Camshaft Shim (Red .032")
31	KH-12-422-10-S	Camshaft Shim (Yellow .034")
32	KH-12-422-11-S	Camshaft Shim (Green .036")
33	KH-12-422-12-S	Camshaft Shim (Gray .038")
34	KH-12-422-13-S	Camshaft Shim (Black .04")
36	KH-24-032-19-S	Oil Seal (Helix Lip)
37	KH-24-067-24-S	Connecting Rod (Std)
38	KH-25-123-07-S	Tube Assembly (Inc. 4-6)
39	KH-24-108-14-S	Ring Set (Std)
40	KH-32-874-09-S	Use KH-24-874-27-S Kit
N/A	KH-25-357-14-S	Camshaft Lubricant

# Kohler SV710-0035 Head/Valve/Breather

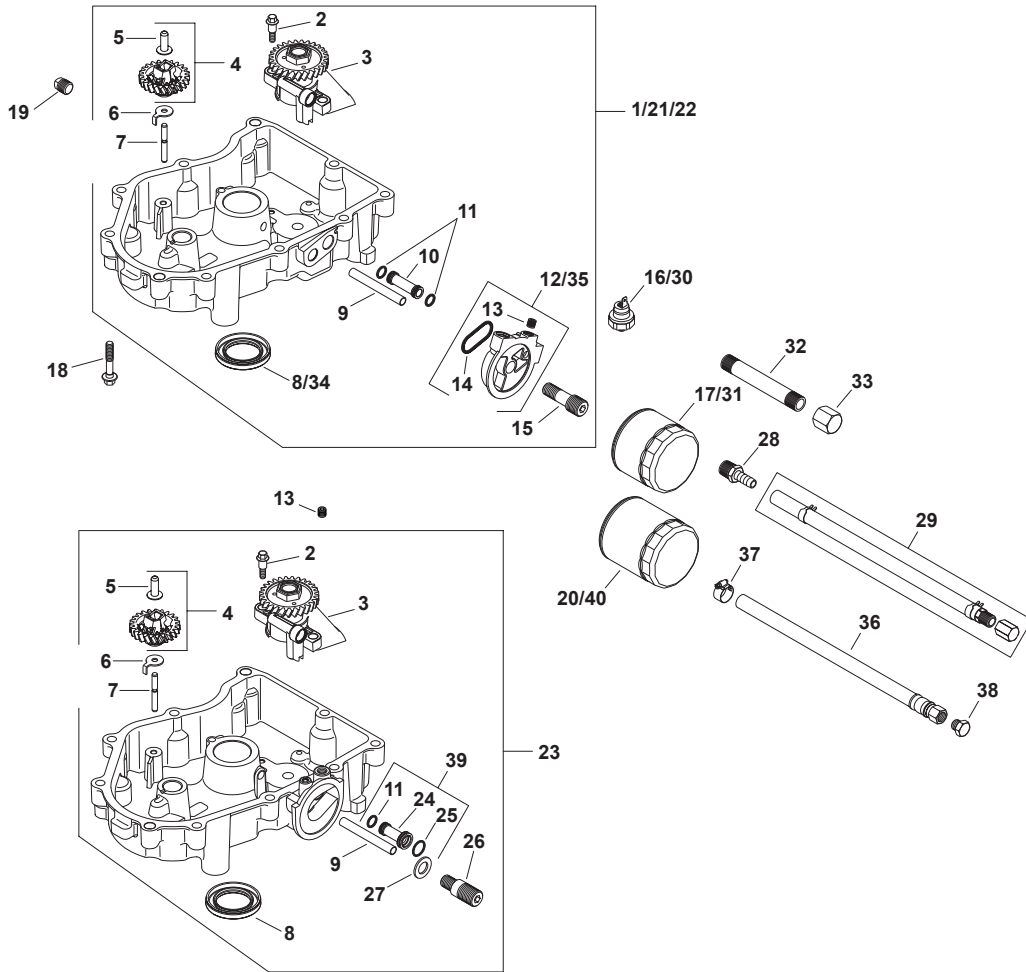


## Kohler SV710-0035 Head/Valve/Breather

Ref.	Part Number	Description
1	KH-32-096-06-S	Breather Valve Cover Kit (Inc. 2)
2	KH-24-153-30-S	Valve Cover O-Ring
3	KH-M-651030-S	Flg. Screw, M6 X 1.0 X 30
5	KH-12-755-03	Retainer Kit
6	KH-12-173-01	Valve Spring Cap
7	KH-24-089-02	Valve Spring
8	KH-235011-S	Spring Retainer
9	KH-66-032-05-S	Valve Stem Seal
10	KH-24-017-01	Intake Valve (Std)
11	KH-24-016-01	Exhaust Valve (Std)
12	KH-32-326-06-S	Kit, Breather Hose Kit (Inc. 13)
13	KH-25-237-14-S	Hose Clamp, ½
14	KH-32-081-02-S	Breather Housing Kit (Inc. 15, 16)
15	KH-M-547050-S	Lock Nut, M 5 X .8
16	KH-32-468-01-S	Sealing Washer
17	KH-32-072-03-S	Breather Cover Stud
18	KH-32-019-02-S	Tappet
20	KH-32-841-01-S	Cylinder Head Gasket Kit (Inc. 26, KH-24-041-49-S And KH-24-153-27-S)
26	KH-12-086-16	Flg. Screw, M 10 X 1.5 X 90
28	KH-24-755-141-S	Breather Valve Cover Kit (Inc. 2 & 3)
29	KH-25-445-01-S	Lifting Strap

Ref.	Part Number	Description
30	KH-M-645016-S	Flg. Thd. Frm. Screw, M6 X 1.0 X 16
31	KH-32-096-04-S	Breather Cover Kit (Inc. 32)
33	KH-32-050-01-S	Breather Filter
34	KH-32-318-13-S	#1 Cylinder Head Assembly Kit (Inc. Exhaust Mounting Hardware)
35	KH-32-318-14-S	#2 Cylinder Head Assembly Kit (Inc. Exhaust Mounting Hardware)
36	KH-32-146-09-S	Guide Plate
37	KH-32-072-04-S	Rocker Stud
38	KH-32-186-03-S	Rocker Arm
39	KH-32-100-05-S	Hex Nut Assembly (Includes 39)
40	KH-25-086-168-S	Set Screw
41	KH-25-599-01-S	Rocker Arm Pivot
42	KH-32-411-04-S	Push Rod
43	KH-32-326-07-S	Fuel Pump Hose w/ Clamp Kit (Inc. 44)
44	KH-25-237-01-S	Hose Clamp
N/A	KH-32-755-03-S	Cylinder Head Hardware Kit (Services 1 Head, Quantities Listed Are For Both Heads) (Inc. 5-11, 19, 22, 25 & 34)
N/A	KH-24-041-49-S	Exhaust Gasket
N/A	KH-24-153-27-S	Intake Port O-Ring

# Kohler SV710-0035 Oil Pan/Lubrication

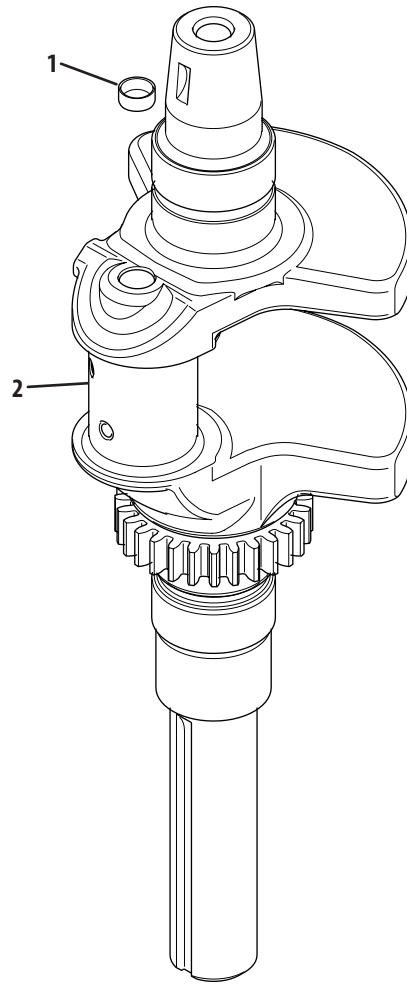


Ref.	Part Number	Description
2	KH-32-086-01-S	Shd. Thd. Frm. Screw, M6 X .0 X 6.5
3	KH-32-393-10-S	Oil Pump Assembly
4	KH-24-043-12	Governor Gear w/ Pin Kit (Inc. 5)
5	KH-12-380-01	Governor Regulating Pin
6	KH-24-448-02-S	Locking Tab
7	KH-12-144-02	Governor Gear Shaft
8	KH-25-032-06-S	Oil Seal
9	KH-32-123-01-S	Oil Feed Tube - Filter To Pan
11	KH-24-153-01	Oil Pick-Up O-Ring
13	KH-25-139-60-S	Plug, Ctsk. Pipe Plug, 1/8

Ref.	Part Number	Description
17	KH-12-050-01-S	Oil Filter
18	KH-24-086-17-S	Flg. Screw, M8 x 1.25 x 45
19	KH-25-139-57-S	Sq. Hd. Pipe Plug, 3/8
23	KH-32-199-07-S	Oil Pan Assembly (Inc. 2-9, 11, 24-27)
24	KH-32-123-06-S	Oil Feed Tube
25	KH-32-153-05-S	O-Ring
26	KH-32-136-05-S	Oil Filter Nipple
27	KH-32-468-02-S	Flat Washer
39	KH-32-123-09-S	Oil Feed Tube Assembly (Includes 11, 24, 25)

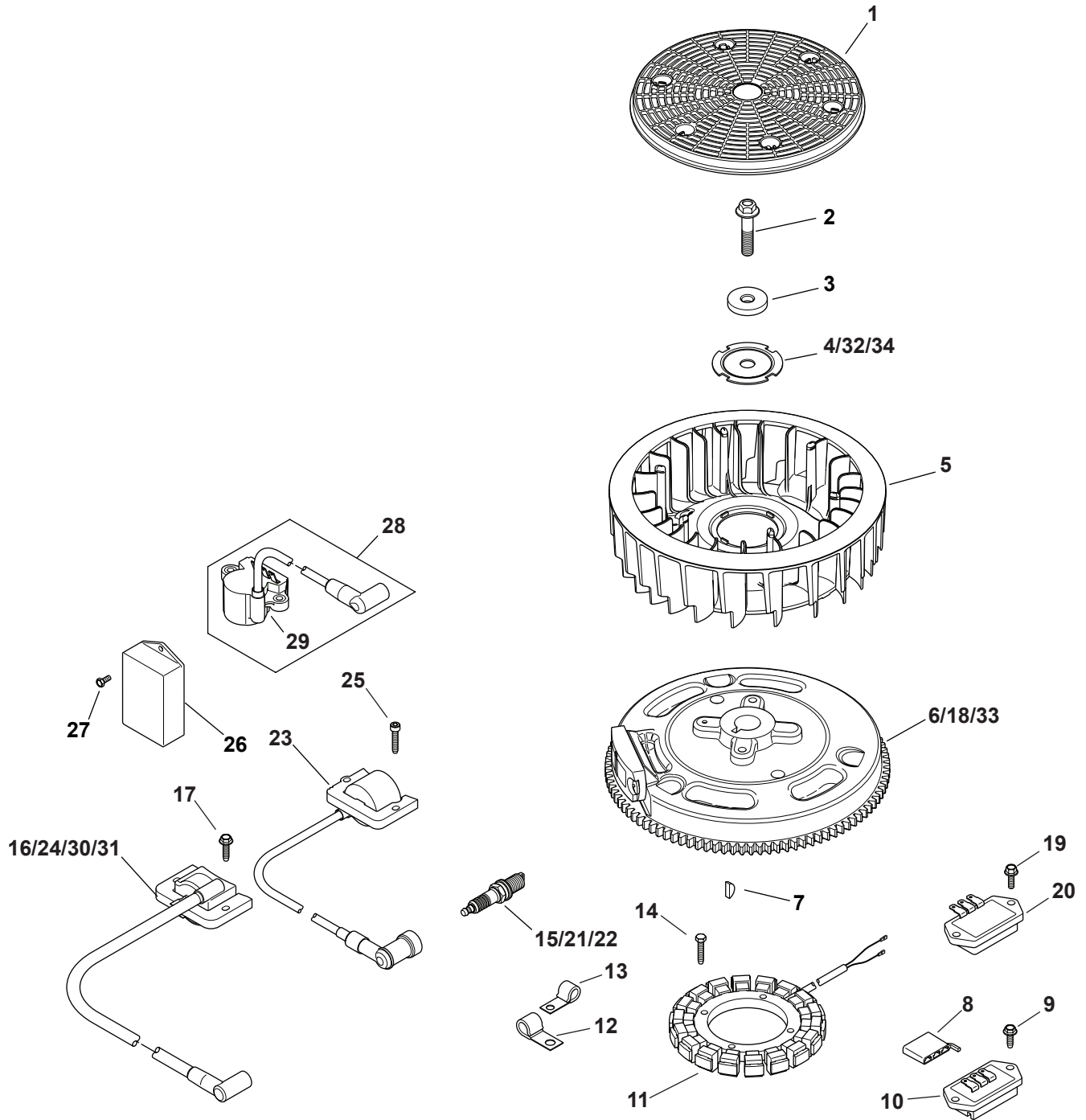


# Kohler SV710-0035 Crankshaft



Ref.	Part Number	Description
1	KH-52-139-09-S	Cup Plug
2	KH-32-014-04-S	Crankshaft

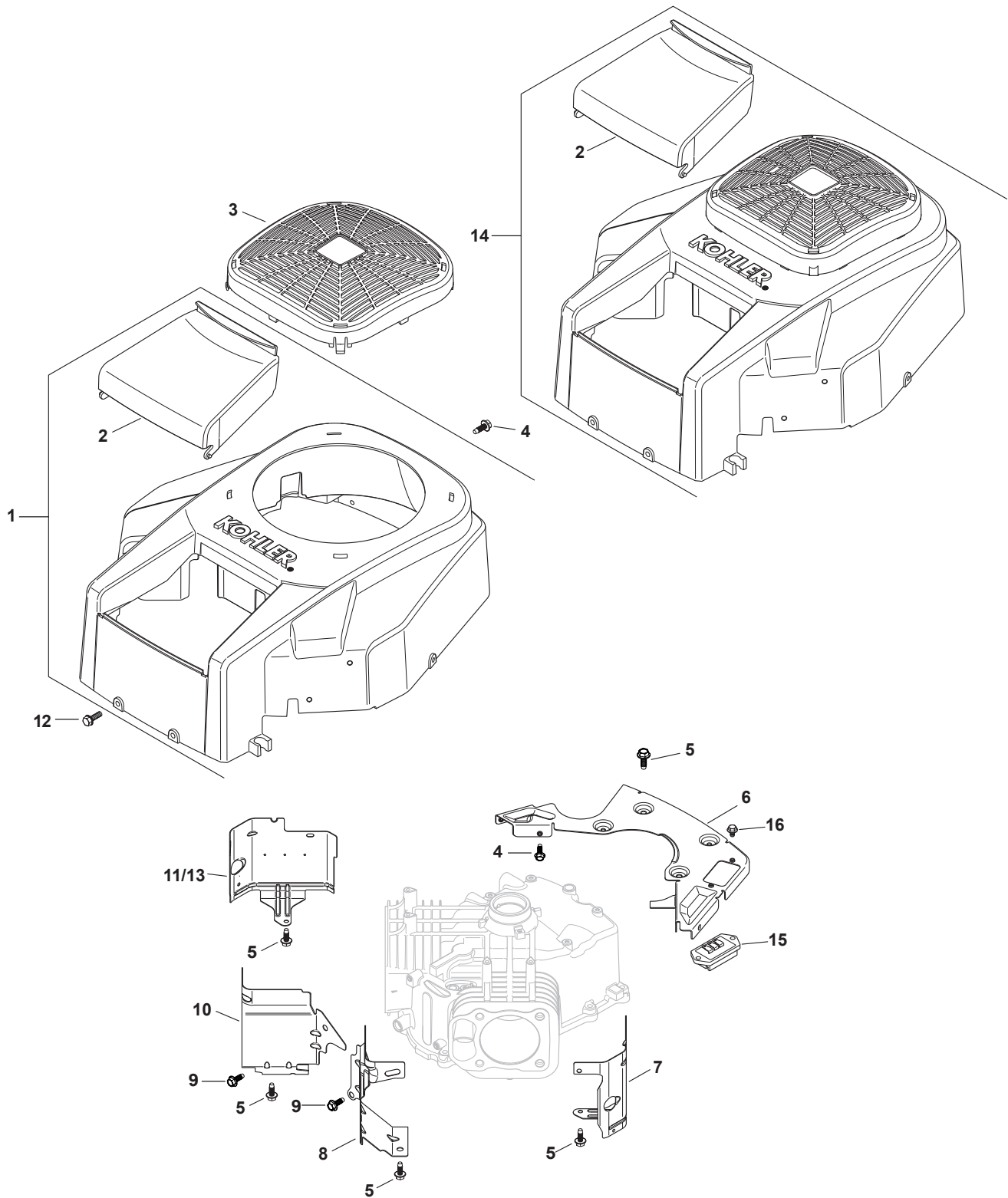
# Kohler SV710-0035 Ignition/Electrical



## Kohler SV710-0035 Ignition/Electrical

Ref.	Part Number	Description
1	KH-32-162-03-S	Grass Screen
2	KH-12-086-14	Flg. Screw, M 10 X 1.5 X 45
3	KH-12-468-03	Flat Washer, <sup>13</sup> / <sub>32</sub>
4	KH-20-146-05-S	Fan Mounting Plate
5	KH-32-157-01-S	15 Amp Stator Kit (Inc. KH-25-452-01-S)
6	KH-32-025-16-S	Flywheel Assembly
7	KH-X-42-15	Key, <sup>3</sup> / <sub>16</sub> X <sup>5</sup> / <sub>8</sub>
8	KH-25-155-41-S	Connector
11	KH-237878	15 Amp Stator Kit
14	KH-M-548025-S	Thd. Frm. Screw, M5 X 0.8 X 25
15	759-3336	Spark Plug
16	KH-24-584-45-S	Module Ignition Kit
17	KH-M-545020-S	Flg. Thd. Frm. Screw, M5 X .8 X 20
N/A	KH-25-454-03-S	Wire Tie
N/A	KH-25-454-05-S	Tie
N/A	KH-32-176-24-S	Wiring Harness
N/A	KH-25-454-05-S	Tie
N/A	KH-25-452-01-S	Terminal

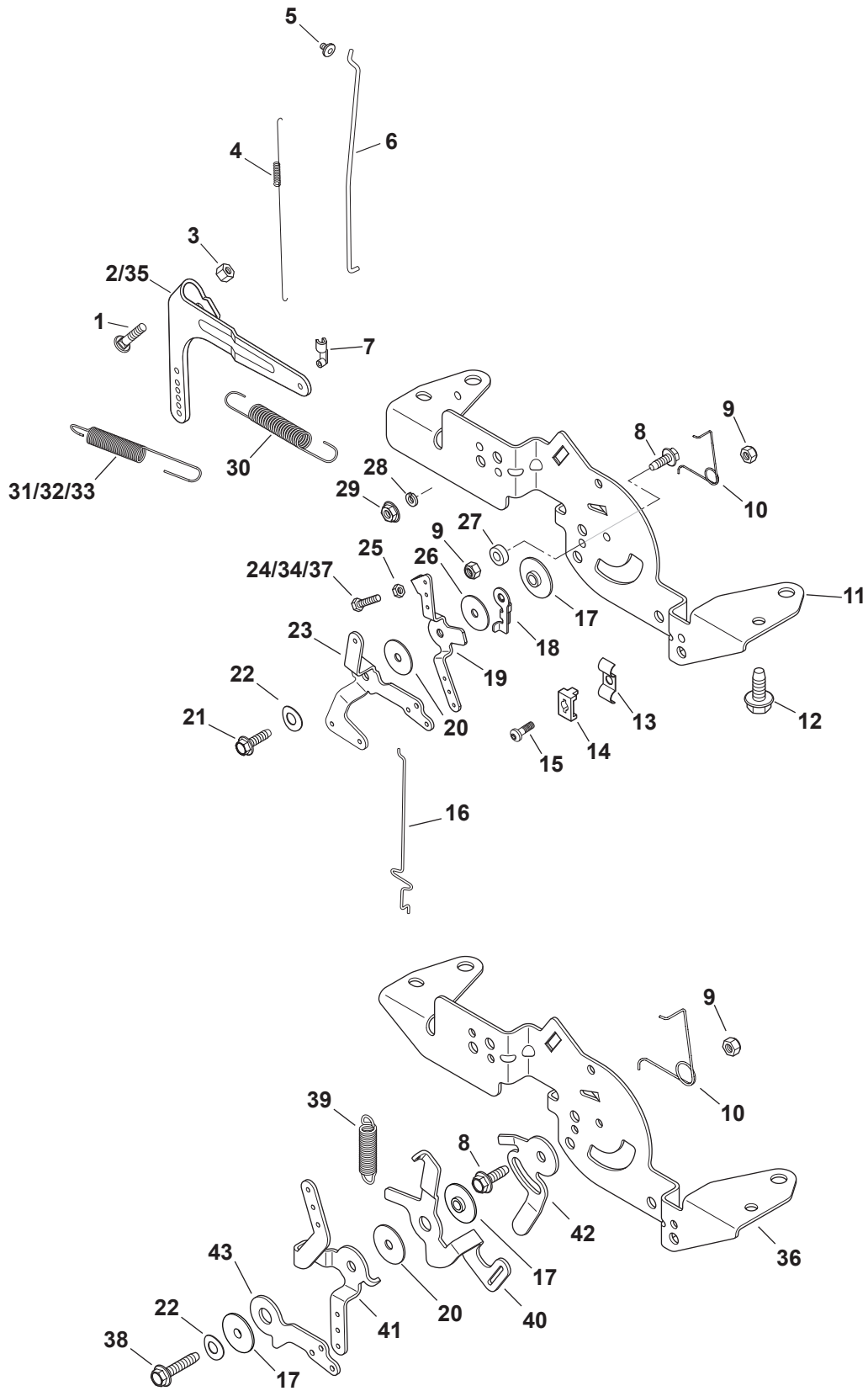
# Kohler SV710-0035 Blower Housing & Baffles



## Kohler SV710-0035 Blower Housing & Baffles

Ref.	Part Number	Description
1	KH-32-027-03-S	Housing Blower Kit (Inc. 2 & KH-41-037-10-S)
2	KH-32-096-08-S	Air Cleaner Cover
4	KH-M-545016-S	Flg. Thd. Frm. Screw, M5 X 0.8 X 16
5	KH-M-645016-S	Flg. Thd. Frm. Screw, M6 X 1.0 X 16
6	KH-32-146-05-S	Backing Plate Kit
7	KH-32-063-12-S	Cyl. Barrel Baffle - #2 Side
8	KH-32-063-02-S	Valley Baffle - #2 Side
9	KH-M-545010	Flg. Thd. Frm. Screw, M5 X .8 X 10
10	KH-32-063-03-S	Valley Baffle - #1 Side
11	KH-32-063-10-S	Cyl. Barrel Baffle - #1 Side
12	KH-24-086-12	Tap Screw, M6 X 1.7 X 18
15	KH-41-403-10-S	Regulator/Rectifier
16	KH-25-086-158-S	Flg. Thd. Frm. Screw, M6 X 1.0 X 10
N/A	KH-41-037-10-S	Service Nameplate

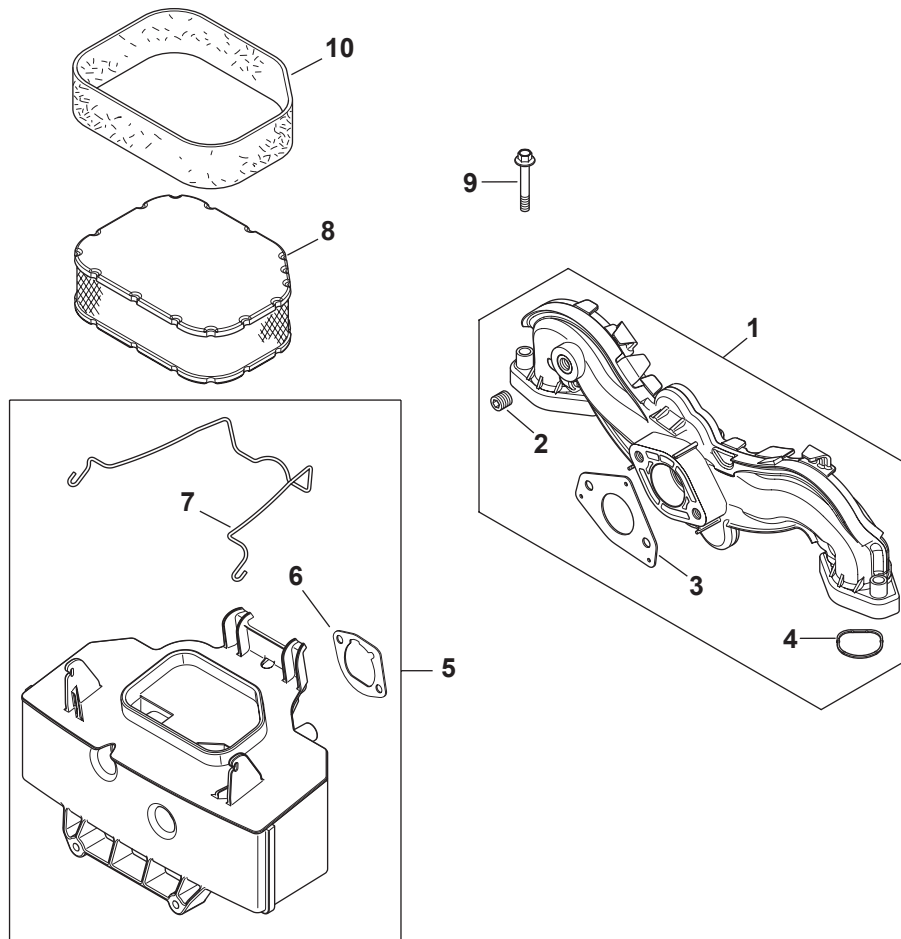
# Kohler SV710-0035 Engine Controls



## Kohler SV710-0035 Engine Controls

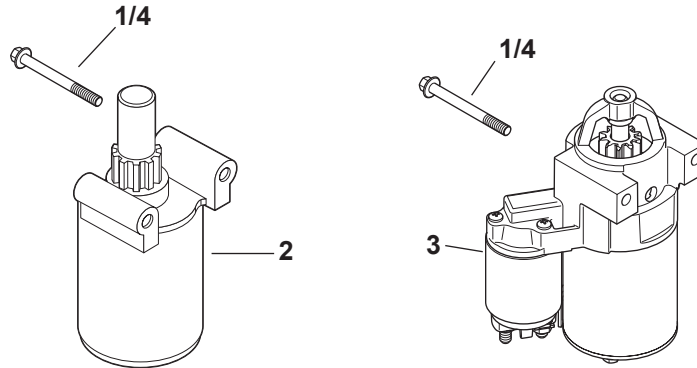
Ref.	Part-Number	Description
1	KH-24-211-03-S	Rd. Hd. Sq. Neck Bolt, M6 X 1.0 X 25
3	KH-M-641060-S	Flg. Nut, M6 X 1.0
4	KH-24-089-01	Linkage Spring
5	KH-25-158-08	Linkage Retaining Bushing
6	KH-24-079-04	Throttle Linkage
7	KH-25-158-11	Throttle Linkage Bushing
8	KH-M-545016-S	Flg. Thd. Frm. Screw, M5 X 0.8 X 16
9	KH-M-547050-S	Lock Nut, M5 X .8
10	KH-24-089-03	Choke Return Spring
12	KH-M-645016-S	Flg. Thd. Frm. Screw, M6 X 1.0 X 16
14	KH-12-237-01	Cable Clamp
15	KH-24-086-43-S	Lbd. Thd. Frm. Screw, M5 X 0.8 X 16
16	KH-24-079-22-S	Choke Linkage
17	KH-24-112-27-S	Control Assembly Spacer
20	KH-24-468-01	Flat Washer. 5.5mm
22	KH-41-468-03	Spring Washer, ¼
30	KH-24-089-55-S	Governor Spring
33	KH-24-089-18-S	Governor Spring
35	KH-24-090-51-S	Governor Lever
36	KH-24-126-172-S	Control Bracket
38	KH-25-086-151-S	Thd. Frm. Screw, M5 X 0.8 X 25mm
39	KH-32-089-03-S	Speed Control Spring
40	KH-32-090-07-S	Governor Spring Lever
41	KH-32-090-08-S	Speed Control Lever
42	KH-32-090-09-S	Speed Setting Lever
43	KH-32-090-10-S	Choke Lever

# Kohler SV710-0035 Air Intake/Filtration



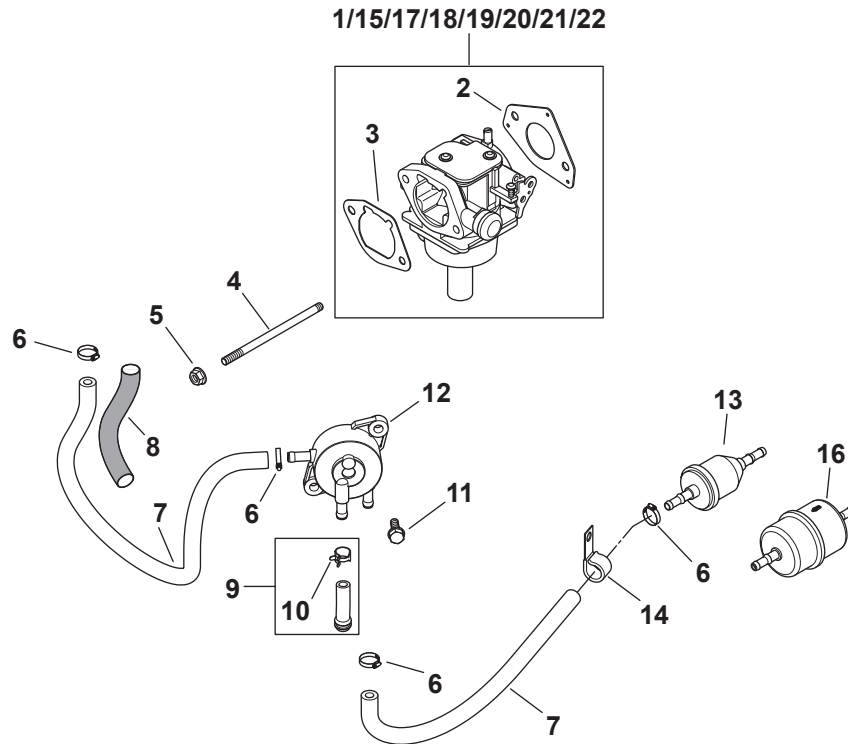
Ref.	Part Number	Description
1	KH-24-164-91-S	Intake Manifold Kit (Inc. 2-4)
2	KH-24-041-52-S	Carburetor Gasket
3	KH-24-153-27-S	Intake Port O-Ring
4	KH-25-139-60-S	Ctsk. Pipe Plug, 1/8
5	KH-32-094-04-S	Air Cleaner Base Kit (Inc. 5 & 6)
6	KH-24-041-14-S	Air Cleaner Base Gasket
7	KH-32-344-02-S	Air Cleaner Element Latch
8	KH-32-083-03-S	Air Filter Element
9	KH-M-651040-S	Fig. Screw, M6 X 1.0 X 40
10	KH-32-083-05-S	Pre-Cleaner Element





Ref.	Part Number	Description
2	KH-32-098-01-S	Starter Assembly
4	KH-M-851080-S	Flg. Screw, M8 X 1.25 X 80

# Kohler SV710-0035 Miscellaneous

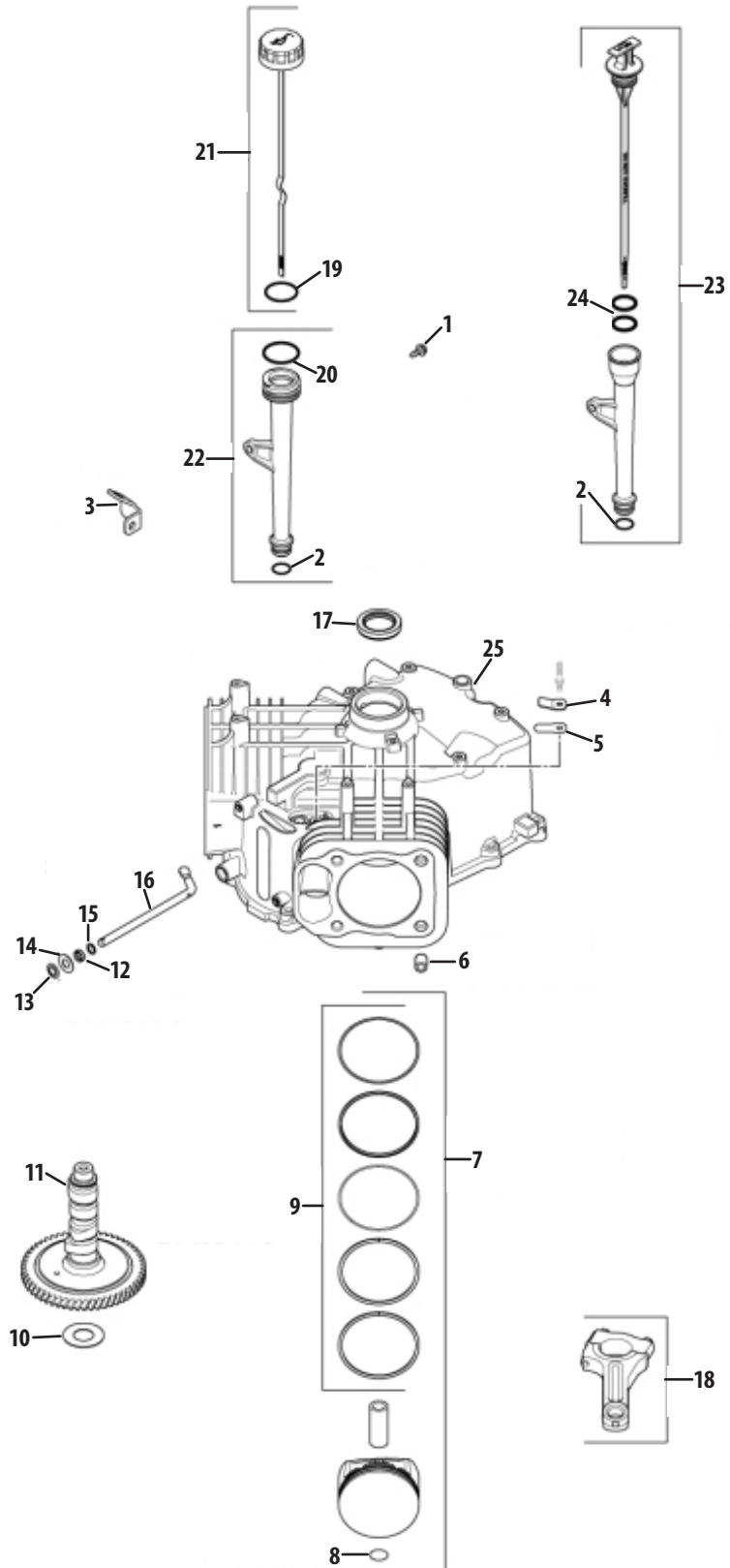


Ref.	Part-Number	Description
2	KH-24-041-52-S	Carburetor Gasket
3	KH-24-041-14-S	Air Cleaner Base Gasket
4	KH-M-629105-S	Stud, M6 X 1.0 X 106
5	KH-M-641060-S	Flg. Nut, M6 X 1.0
6	KH-25-237-14-S	Hose Clamp, ½
7	KH-25-111-34-S	Fuel Line
11	KH-24-086-12-S	Tap Screw, M6 X 1.7 X 18
12	KH-24-393-16-S	Fuel Pump
13	KH-25-050-22-S	Fuel Filter

Ref.	Part-Number	Description
14	KH-47-154-01-S	Cable Clip
15	KH-32-853-11-S	Carburetor Kit, 19mm KEIHIN (Inc. 2 & 3)
N/A	KH-24-757-36-S	Choke Repair Service Kit (Inc. 2 & 3)
N/A	KH-24-757-38-S	Gasket Repair Service Kit (Inc. 2 & 3)
N/A	KH-24-757-44-S	Float Kit (Inc. 2 & 3)
N/A	KH-24-757-45-S	Solenoid Valve Repair Kit (Inc. 2 & 3)
N/A	KH-24-757-46-S	Repair Overhaul Kit (Inc. 2 & 3)

<b>Ref.</b>	<b>Part Number</b>	<b>Description</b>
N/A	Decals	
—	KH-25-113-39-S	Clear Laminate Decal
—	KH-32-113-60-S	Fill Check Decal
—	KH-32-113-12-S	Decal, 22 HP
N/A	KH-32-522-03	SV710-740 Shortblock
N/A	KH-32-755-01-S	Gasket Set

# Kohler SV715-3025 Crankcase

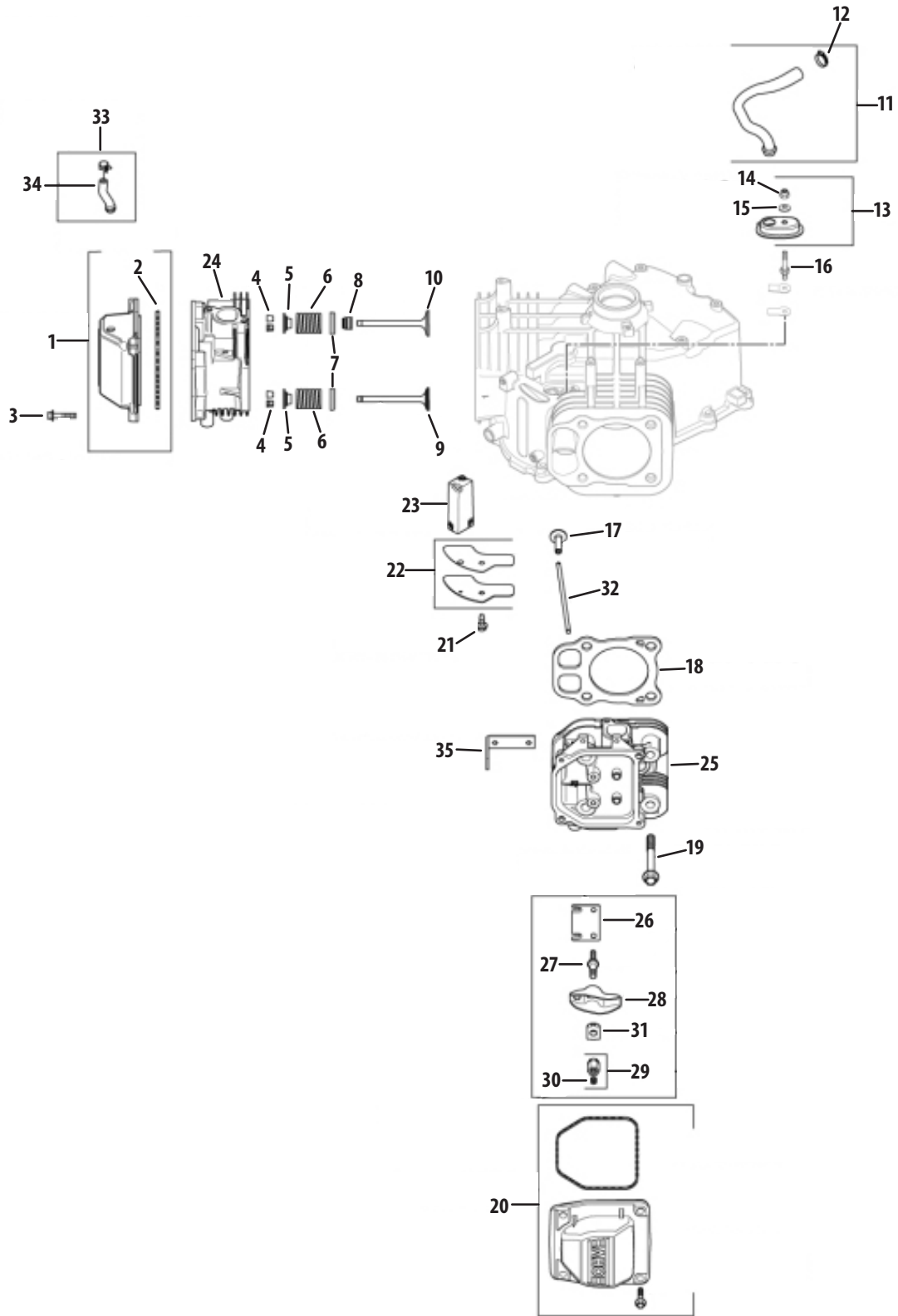


## Kohler SV715-3025 Crankcase

Ref.	Part Number	Description
1	KH-M-545013-S	Flange Screw, M5 x .8 x 13
2	KH-12-153-01-S	Lower Oil Fill Tube O-Ring
3	KH-24-126-19	Oil Fill Tube Bracket
4	KH-24-018-04-S	Breather Reed Retainer
5	KH-12-402-02	Breather Reed
6	KH-24-380-16-S	Locating Pin
7	KH-24-874-46-S	Piston w/ Ring Set Kit (Inc. #8 & 9)
—	KH-25-874-03-S	Piston w/ Ring Set Kit (Inc. #8 & 9)
—	KH-25-874-02-S	Piston w/ Ring Set Kit (Inc. #8 & 9)
8	KH-24-018-01-S	Piston Pin Retainer
9	KH-24-108-15-S	Ring Set (.08)
—	KH-24-108-14-S	Ring Set (STD)
—	KH-24-108-16-S	Ring Set (.25)
10	KH-12-422-07-S	Camshaft Shim (White, .028)
—	KH-12-422-08-S	Camshaft Shim (Blue, .03)
—	KH-12-422-09-S	Camshaft Shim (Red, .032)
—	KH-12-422-10-S	Camshaft Shim (Yellow, .034)
—	KH-12-422-11-S	Camshaft Shim (Green, .036)
—	KH-12-422-12-S	Camshaft Shim (Gray, .038)
—	KH-12-422-13-S	Camshaft Shim (Black, .04)
11	KH-32-012-01-S	Camshaft Kit (Inc. KH-25-357-14-S)

Ref.	Part Number	Description
12	KH-28-032-09-S	Governor Cross Shaft Seal
13	KH-24-018-09-S	Ring Retainer
14	KH-M-931010-S	Flat Washer, 9mm
15	KH-24-468-15-S	Flat Washer, 1 <sup>1</sup> / <sub>32</sub>
16	KH-24-144-38-S	Governor Cross Shaft
17	KH-24-032-19-S	Oil Seal, 1.78 x 1.26
18	KH-24-067-24-S	Connecting Rod (STD)
19	KH-25-153-02-S	Dipstick O-Ring
20	KH-12-153-02-S	Upper Oil Fill Tube O-Ring (Before S/N 3909900011)
21	KH-24-038-04-S	Dipstick Assembly (Before S/N 3909900011) (Inc. #19)
22	KH-25-123-07-S	Tube Assembly (Before S/N 3909900011) (Inc. #2, 20 & KH-12-123-04-S)
23	KH-32-755-04-S	Dipstick & Tube Kit (After S/N 3909900001) (Inc. #24 & KH-20-153-02-S)
24	KH-20-153-01-S	O-Ring (After S/N 3909900001)
25	N/A	Crankcase (Use Short Block)
NS	KH-25-357-14-S	Camshaft Lubricant

# Kohler SV715-3025 Head/Valve/Breather

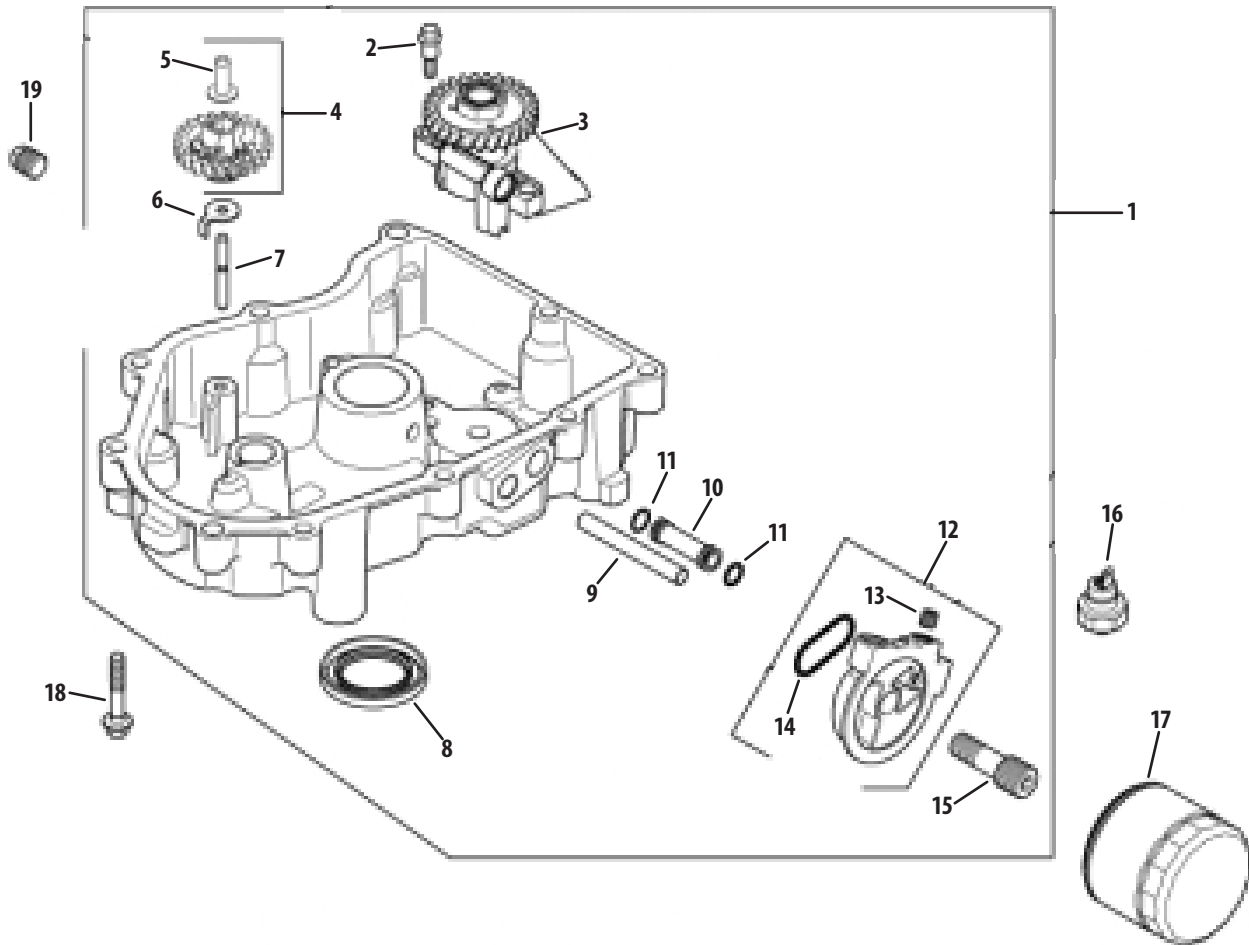


## Kohler SV715-3025 Head/Valve/Breather

Ref.	Part Number	Description
1	KH-32-096-06-S	Breather Valve Cover Kit (Inc. #2)
2	KH-24-153-30-S	Valve Cover O-Ring
3	KH-M-651030-S	Flange Screw, M6 x 1.0 x 30
4	KH-12-755-03	Retainer Kit
5	KH-25-173-28-S	Valve Spring Cap
6	KH-24-089-02	Valve Spring
7	KH-235011-S	Spring Retainer
8	KH-66-032-05-S	Valve Stem Seal
9	KH-24-016-01	Exhaust Valve (STD)
10	KH-24-017-01	Intake Valve (STD)
11	KH-32-326-06-S	Breather Hose Kit (Inc. #12)
12	KH-25-237-14-S	Hose Clamp, ½
13	KH-32-081-02-S	Housing Breather Kit (Inc. #14 & 15)
14	KH-M-547050-S	Lock Nut, M5 x 8
15	KH-32-468-01-S	Sealing Washer
16	KH-32-072-03-S	Breather Cover Stud
17	KH-32-019-02-S	Tappet
18	KH-32-841-01-S	Cylinder Head Gasket Kit
19	KH-62-086-08-S	Flange Screw, M10 x 1.5 x 90
20	KH-24-755-141-S	Valve Cover Kit (Plain) (Inc. KH-24-153-30-S & KH-M-651030-S)

Ref.	Part Number	Description
21	KH-M-645016-S	Flange Screw, M6 x 1.0 x 16
22	KH-32-096-04-S	Breather Cover
23	KH-32-050-01-S	Breather Filter
24	KH-32-318-13-S	Cylinder Head Assembly Kit, #1 (Inc. Exhaust Mounting Hardware)
25	KH-32-318-14-S	Cylinder Head Assembly Kit, #2 (Inc. Exhaust Mounting Hardware)
26	KH-32-146-09-S	Guide Plate
27	KH-32-072-04-S	Rocker Stud
28	KH-32-186-03-S	Rocker Arm
29	KH-32-100-05-S	Hex Nut Assembly (Inc. #30)
30	KH-25-086-168-S	Set Screw
31	KH-25-599-01-S	Rocker Arm Pivot
32	KH-32-411-04-S	Push Rod
33	KH-32-326-07-S	Fuel Pump Hose Kit (Inc. #34)
34	KH-25-237-01-S	Hose Clamp
35	KH-25-445-01-S	Lifting Strap
NS	KH-24-041-49-S	Exhaust Gasket
NS	KH-24-153-27-S	Intake Port O-Ring
NS	KH-32-755-03-S	Cylinder Head Hardware Kit

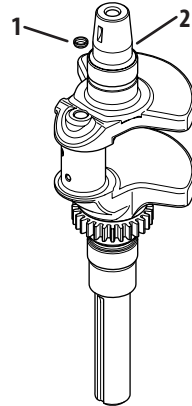
# Kohler SV715-3025 Oil Pan/Lubrication



Ref.	Part Number	Description
1	KH-32-199-14-S	Oil Pan Assembly
2	KH-32-086-01-S	Screw
3	KH-32-393-10-S	Oil Pump Assembly
4	KH-24-043-12	Governor Gear Kit w/ Pin
5	KH-12-380-01	Governor Regulating Pin
6	KH-24-448-02-S	Locking Tab
7	KH-12-144-02	Governor Gear Shaft
8	KH-25-032-06-S	Oil Seal, 2.38 x 1.45
9	KH-32-123-01-S	Oil Feed Tube (Filter to Oil Pan)
10	KH-32-123-03-S	Oil Feed Tube (Oil Pan to Filter)

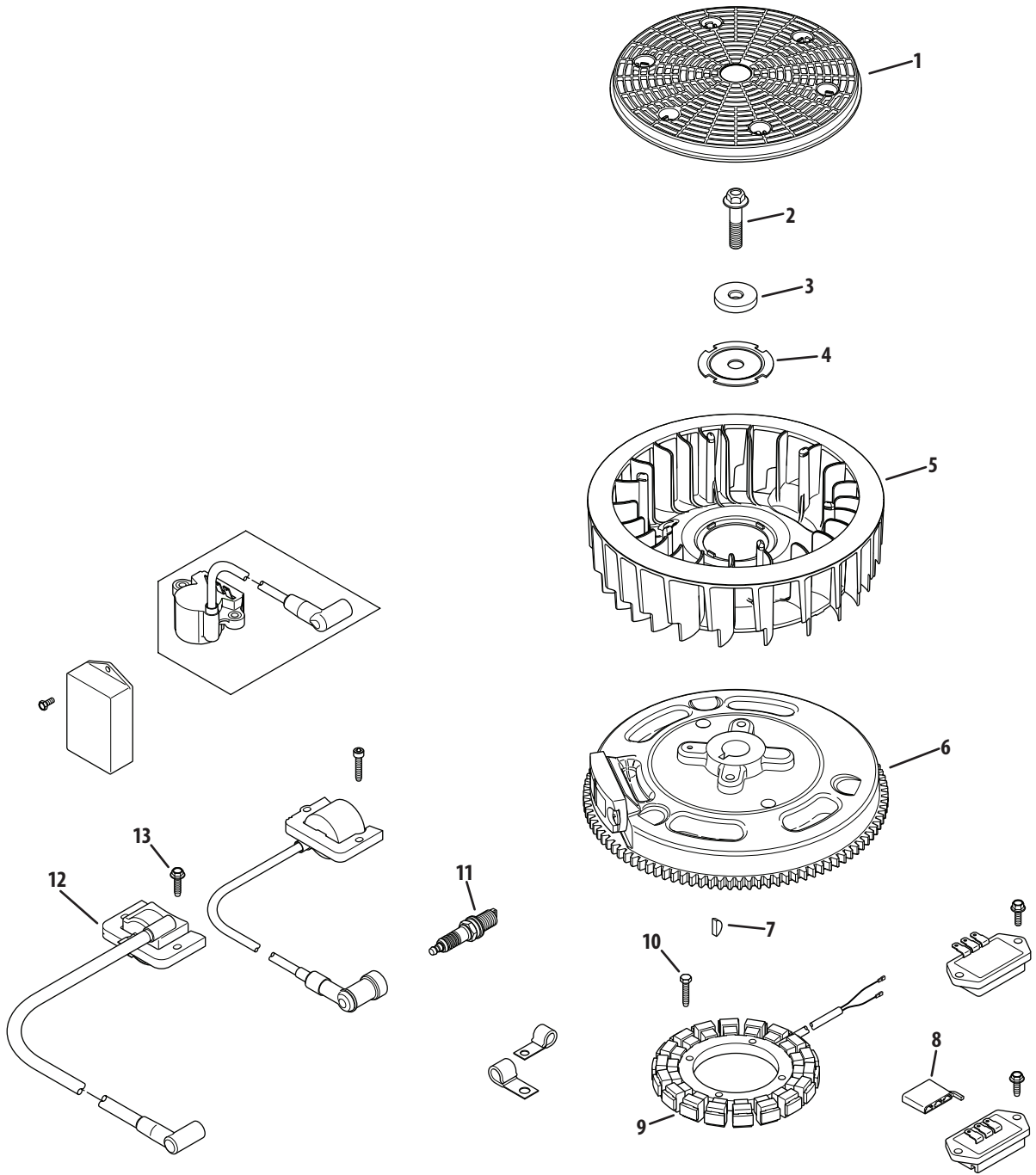
Ref.	Part Number	Description
11	KH-24-153-01	Oil Pick-Up O-Ring
12	KH-32-029-16-S	Adapter Oil Filter Kit
13	KH-25-139-60-S	Pipe Plug, 1/8
14	KH-32-153-04-S	Oil Filter Adapter O-Ring
15	KH-32-136-03-S	Oil Filter Nipple
16	KH-25-099-27-S	Oil Pressure Switch
17	KH-12-050-01-S	Oil Filter
18	KH-24-086-17-S	Flange Screw, M8 x 1.25 x 45
19	KH-25-139-57-S	Square Head Pipe Plug, 3/8





Ref.	Part Number	Description
1	KH-52-139-09-S	Cup Plug
2	KH-32-014-04-S	Crankshaft (Inc. #1)

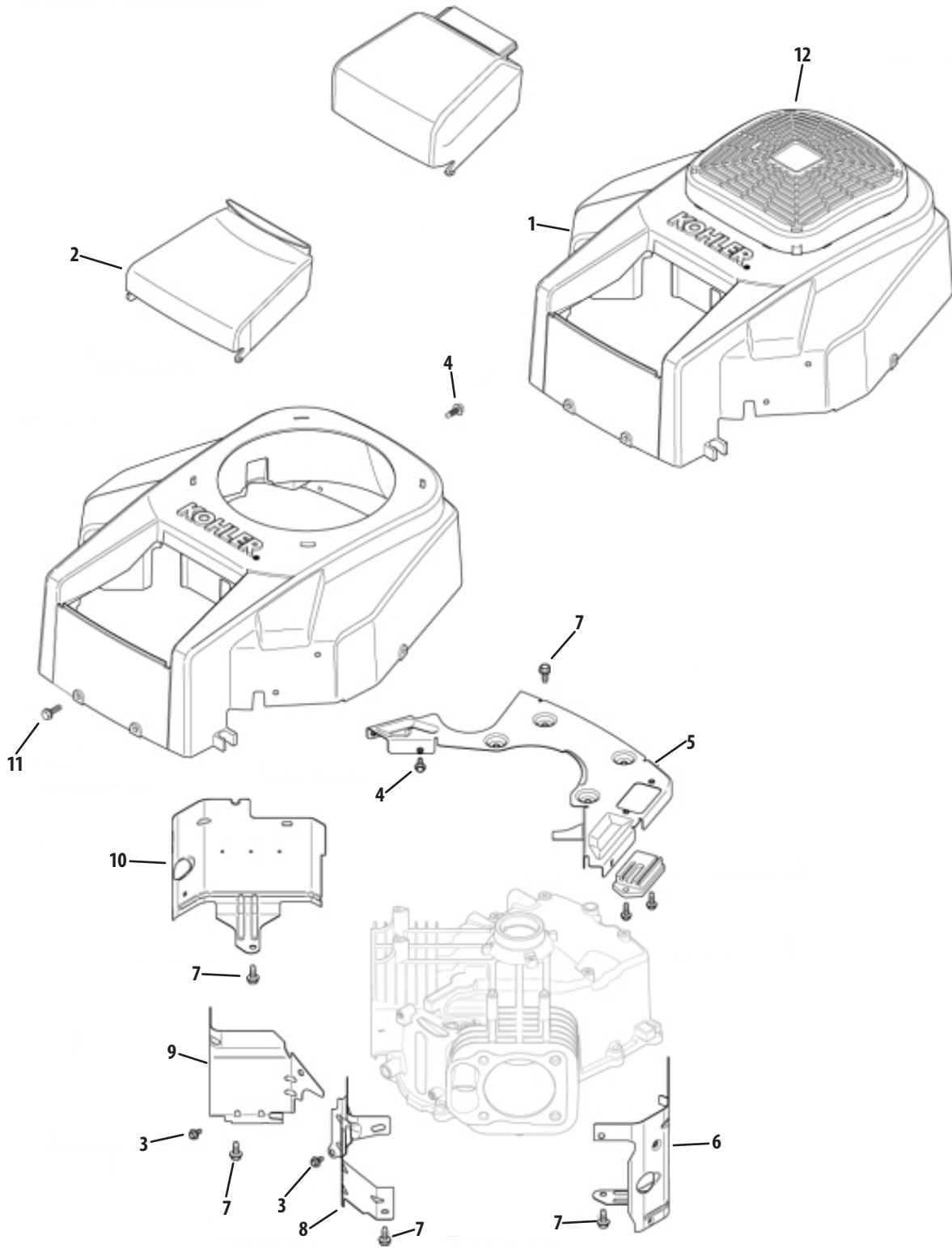
# Kohler SV715-3025 Ignition/Electrical



## Kohler SV715-3025 Ignition/Electrical

Ref.	Part Number	Description
1	KH-32-162-03-S	Grass Screen
2	KH-12-086-14	Flange Screw, M10 x 1.5 x 45
3	KH-12-468-03	Flat Washer, <sup>13</sup> / <sub>32</sub>
4	KH-20-146-05-S	Fan Mounting Plate
5	KH-32-157-01-S	15 Amp Stator Kit (Inc. KH-25-452-01-S)
6	KH-32-025-16-S	Flywheel Assembly
7	KH-X-42-15	Key, <sup>3</sup> / <sub>16</sub> x <sup>5</sup> / <sub>8</sub>
8	KH-25-155-41-S	Connector
9	KH-237878	15 Amp Stator Kit
10	KH-M-548025-S	Screw, M5 x 0.8 x 25
11	759-3336	Spark Plug
12	KH-24-584-45-S	Module Ignition Kit
13	KH-M-545020-S	Screw, M5 x .8 x 20
N/A	KH-25-454-03-S	Wire Tie
N/A	KH-32-176-24-S	Wiring Harness
N/A	KH-25-452-01-S	Terminal

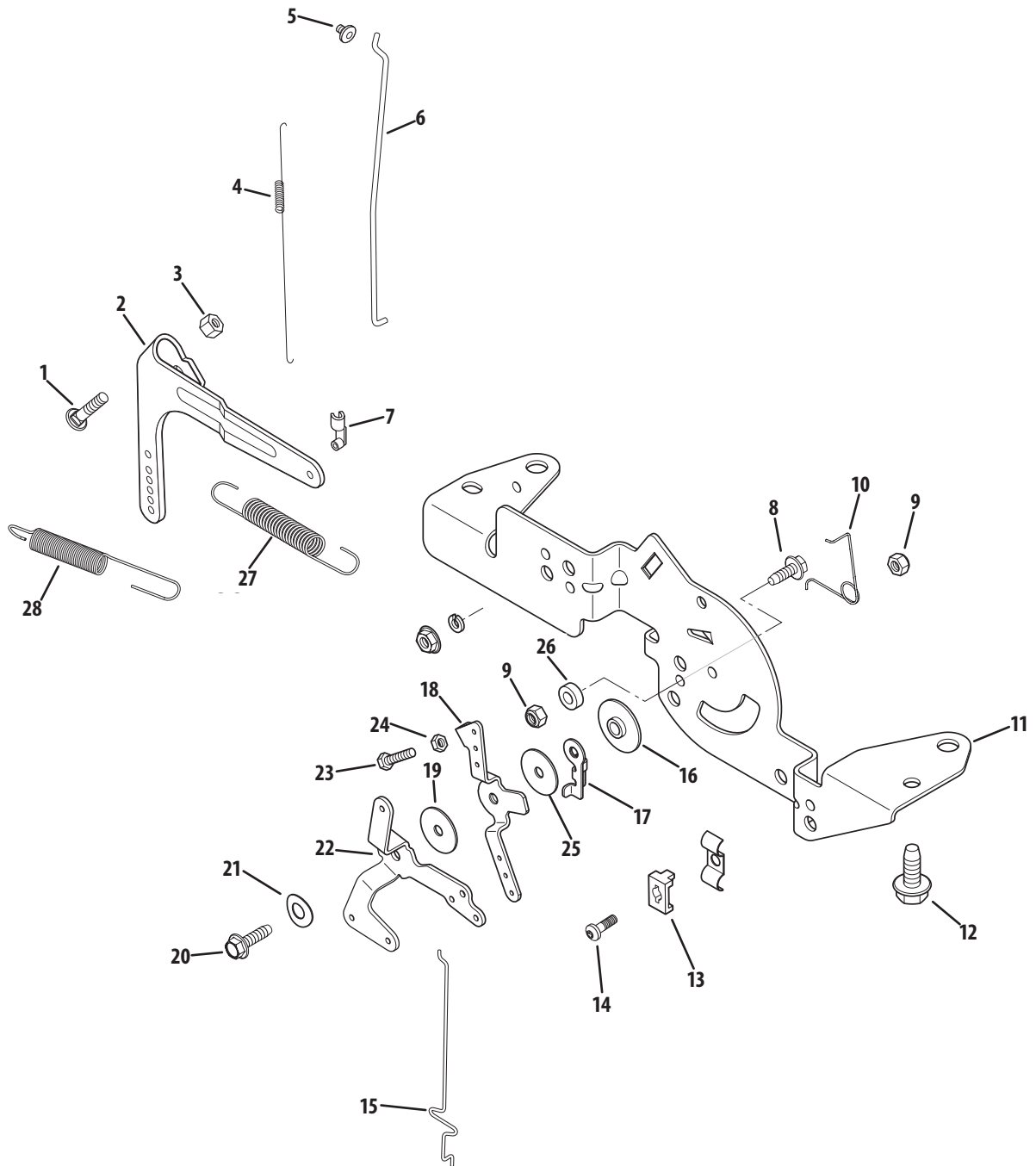
# Kohler SV715-3025 Blower Housing & Baffles



## Kohler SV715-3025 Blower Housing & Baffles

Ref.	Part Number	Description
1	KH-32-027-08-S	Blower Housing Kit (Fixed Guard) (Inc. #12 & KH-41-037-10-S)
2	KH-32-096-08-S	Air Cleaner Cover
3	KH-M-545010	Flange Screw, M5 x .8 x 10
4	KH-M-545016-S	Flange Screw, M5 x .8 x 16
5	KH-32-146-05-S	Backing Plate Kit
6	KH-32-063-12-S	Cylinder Barrel Baffle, #2 Side
7	KH-M-645016-S	Flange Screw, M6 x 1.0 x 16
8	KH-32-063-02-S	Valley Baffle, #2 Side
9	KH-32-063-03-S	Valley Baffle, #1 Side
10	KH-32-063-10-S	Cylinder Barrel Baffle, #1 Side
11	KH-24-086-12	Screw, M6 x 1.7 x 18
12	KH-32-314-05-S	Fixed Guard
NS	KH-32-113-11-S	Fixed Guard Decal
NS	KH-41-037-10-S	Service Nameplate

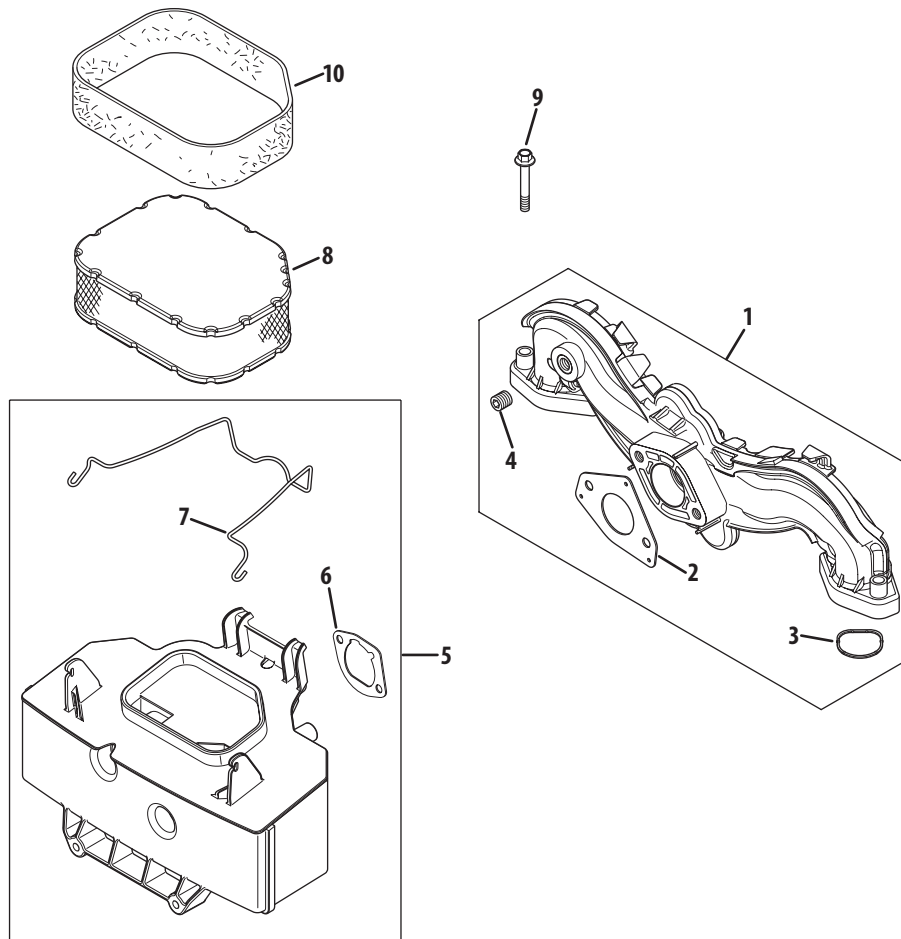
# Kohler SV715-3025 Engine Controls



## Kohler SV715-3025 Engine Controls

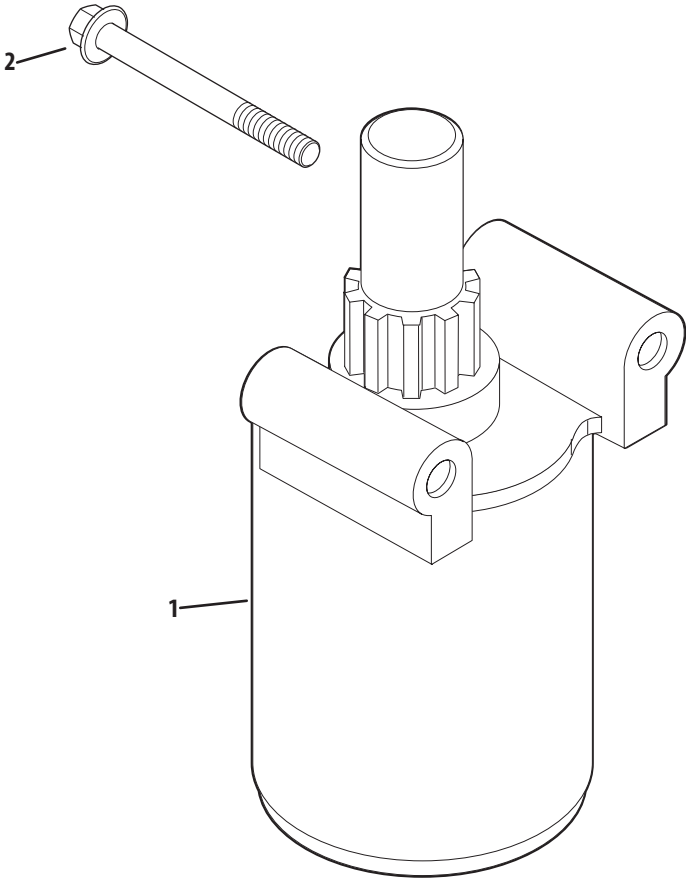
Ref.	Part-Number	Description
1	KH-24-211-03-S	Bolt, M6 x 1.0 x 25
2	KH-24-090-51-S	Governor Lever
3	KH-M-641060	Flange Nut, M6 x 1.0
4	KH-24-089-01	Linkage Spring
5	KH-25-158-08	Linkage Retaining Bushing
6	KH-24-079-04	Throttle Linkage
7	KH-25-158-11	Throttle Linkage Bushing
8	KH-M-545016-S	Flange Screw, M5 x .8 x 16
9	KH-M-547050-S	Lock Nut, M5 x .8
10	KH-24-089-03	Choke Return Spring
11	KH-24-126-172-S	Control Bracket
12	KH-M-645016-S	Flange Screw, M6 x 1.0 x 16
13	KH-12-237-01	Cable Clamp
14	KH-24-086-43-S	Screw, M5 x .8 x 16
15	KH-24-079-22-S	Choke Linkage
16	KH-24-112-27-S	Control Assembly Spacer
17	KH-24-090-47-S	Throttle Actuator Lever
18	KH-24-090-13	Throttle Control Lever
19	KH-24-468-01	Flat Washer, 5.5mm
20	KH-M-545020-S	Flange Screw, M5 x .8 x 20
21	KH-41-468-03	Spring Washer, ¼
22	KH-24-090-05	Choke Lever
23	KH-M403025	Screw, M4 x .7 x 25
24	KH-M-446030-S	Nut, M4 x .7
25	KH-24-468-20-S	Flat Washer, 5mm
26	KH-24-112-24-S	Spacer
27	KH-24-089-55-S	Governor Spring
28	KH-24-089-25-S	Governor Spring

# Kohler SV715-3025 Air Intake/Filtration



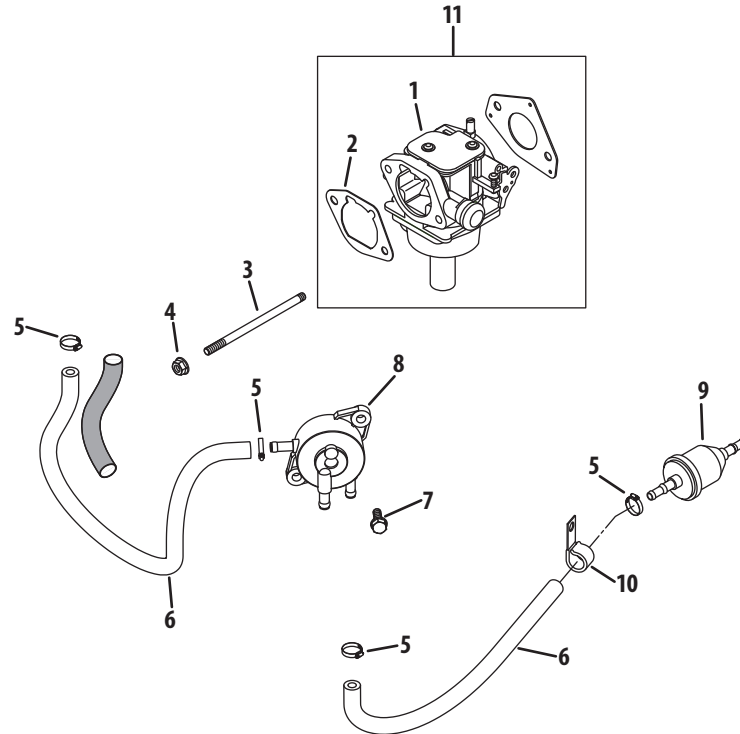
Ref.	Part Number	Description
1	KH-24-164-91-S	Intake Manifold Kit (Inc. #2-4)
2	KH-24-041-52-S	Carburetor Gasket
3	KH-24-153-27-S	Intake Port O-Ring
4	KH-25-139-60-S	Pipe Plug, 1/8"
5	KH-32-094-04-S	Air Cleaner Base Kit (Inc. #5 & 6)
6	KH-24-041-14	Air Cleaner Base Gasket
7	KH-32-344-02-S	Air Cleaner Element Latch
8	KH-32-883-03-S1	Air Filter Element
9	KH-M-651040-S	Flange Screw, M6 x 1.0 x 40
10	KH-32-883-05-S1	Pre-Cleaner Element





Ref.	Part Number	Description
1	KH-32-098-03-S	Starter Assembly
2	KH-M-851080-S	Flange Screw, M8 x 1.25 x 80

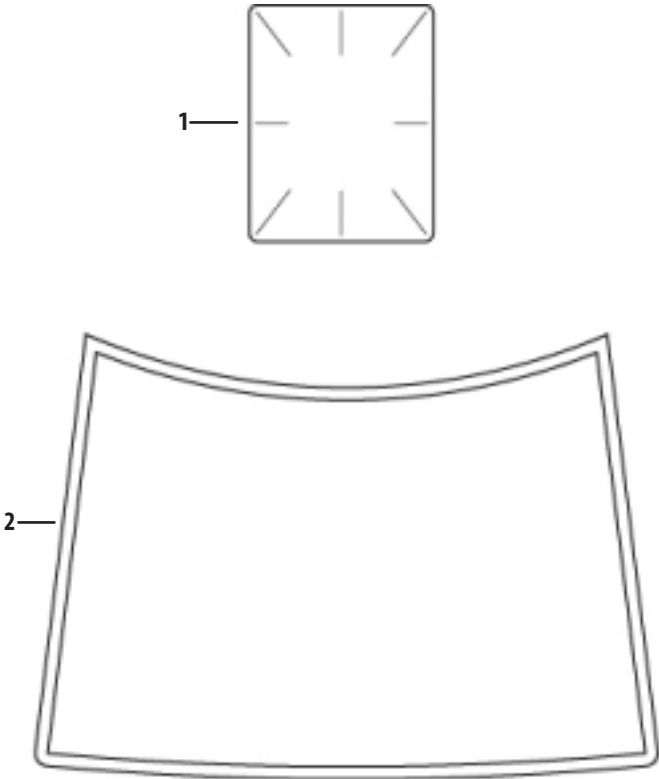
# Kohler SV715-3025 Fuel System



Ref.	Part-Number	Description
1	KH-24-041-52-S	Carburetor Gasket
2	KH-24-041-14	Air Cleaner Base Gasket
3	KH-M-629105-S	Stud, M6 x 1.0 x 106
4	KH-M-641060-S	Flange Nut, M6 x 1.0
5	KH-25-237-14-S	Hose Clamp, ½
6	KH-25-111-34-S	Fuel Line
7	KH-24-086-12	Tap Screw, M6 x 1.7 x 18
8	KH-24-393-16	Fuel Pump
9	KH-25-050-22-S1	Fuel Filter

Ref.	Part-Number	Description
10	KH-47-154-01-S	Cable Clip
11	KH-32-853-11-S	Carburetor Kit, 19mm KEIHIN (Inc. #2 & 3)
NS	KH-24-757-36-S	Choke Repair Service Kit (Inc. #2 & 3)
NS	KH-24-757-38-S	Gasket Repair Service Kit (Inc. #2 & 3)
NS	KH-24-757-44-S	Float Kit (Inc. #2 & 3)
NS	KH-24-757-45-S	Solenoid Valve Repair Kit (Inc. #2 & 3)
NS	KH-24-757-46-S	Repair Overhaul Kit (Inc. #2 & 3)

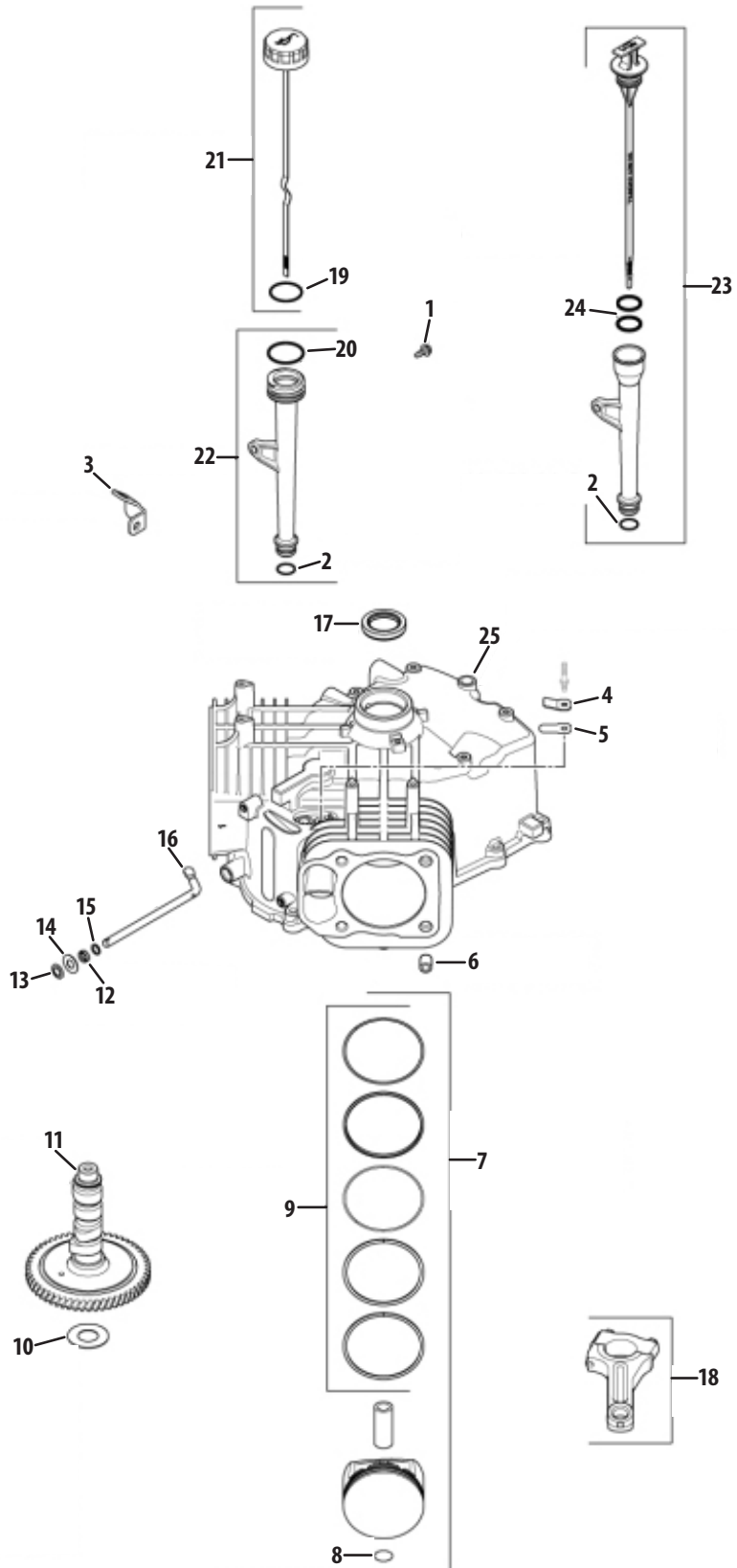
# Kohler SV715-3025 Labels



**NOTE — Artwork is representative. Actual labels may differ depending on model and specifications number.**

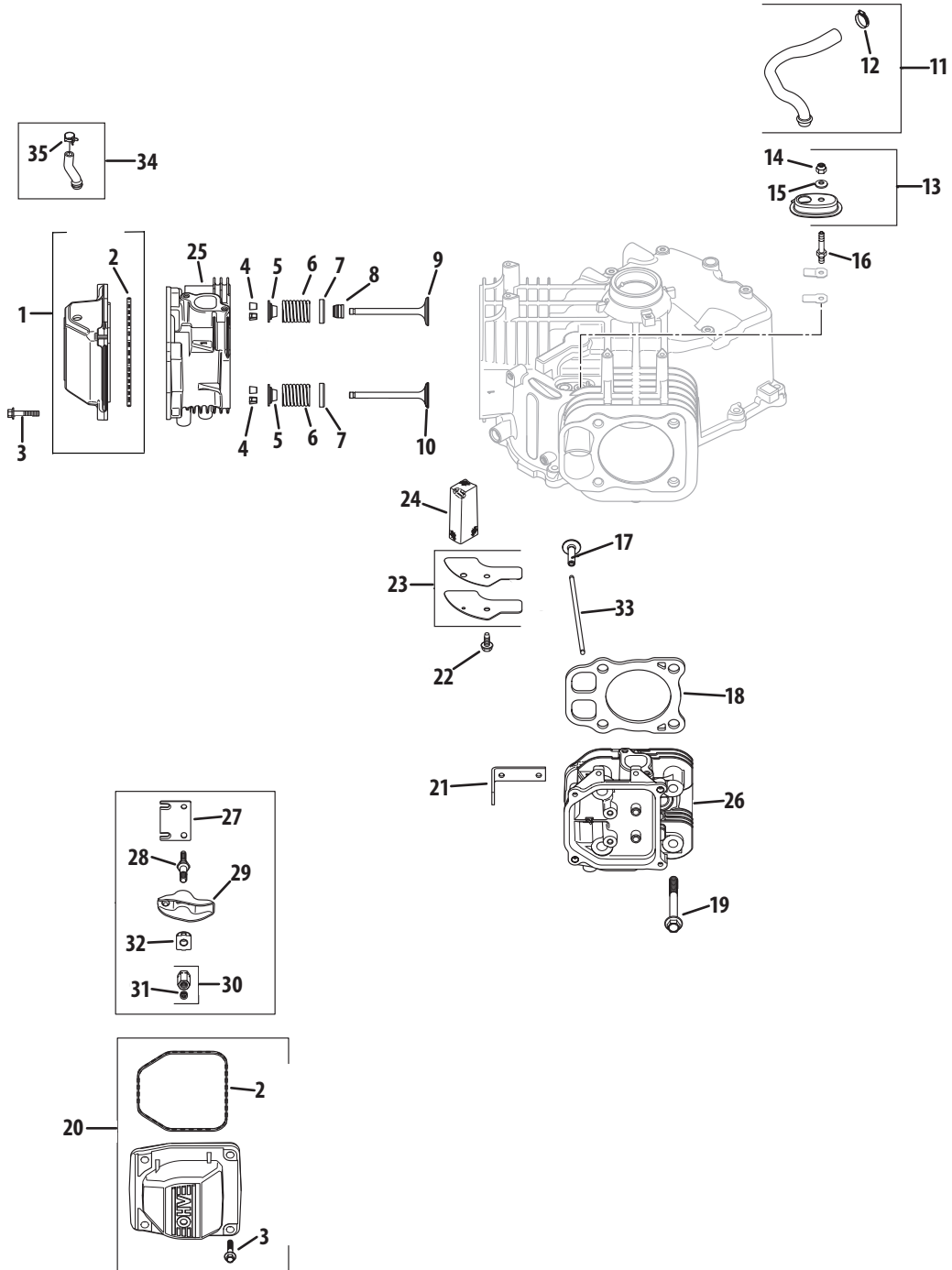
Ref.	Part Number	Description
1	KH-25-113-39-S	Clear Laminate Decal
2	KH-32-113-46-S	Decal, 22 HP

# Kohler SV720-3044 Crankcase



Ref.	Part Number	Description
1	KH-M-545013-S	Flange Screw, M5 x .8 x 13
2	KH-12-153-01-S	Lower Oil Fill Tube O-Ring
3	KH-24-126-19	Oil Fill Tube Bracket
4	KH-24-018-04-S	Breather Reed Retainer
5	KH-12-402-02	Breather Reed
6	KH-24-380-16-S	Locating Pin
7	KH-25-874-01-S	Piston Kit w/ Ring Set, 83mm (STD) (Inc. #8 & 9)
—	KH-25-874-03-S	Piston Kit w/ Ring Set, 83mm (.25) (Inc. #8 & 9)
—	KH-25-874-02-S	Piston Kit w/ Ring Set, 83mm (.08) (Inc. #8 & 9)
8	KH-24-018-01-S	Piston Pin Retainer
9	KH-24-108-15-S	Ring Set, .08
—	KH-24-108-14-S	Ring Set, STD
—	KH-24-108-16-S	Ring Set, .25
10	KH-12-422-07-S	Camshaft Shim, .028 (White)
—	KH-12-422-08-S	Camshaft Shim, .03 (Blue)
—	KH-12-422-09-S	Camshaft Shim, .032 (Red)
—	KH-12-422-10-S	Camshaft Shim, .034 (Yellow)
—	KH-12-422-11-S	Camshaft Shim, .036 (Green)
—	KH-12-422-12-S	Camshaft Shim, .038 (Gray)
—	KH-12-422-13-S	Camshaft Shim, .04 (Black)
11	KH-32-012-01-S	Camshaft Kit (Inc. KH-25-357-14-S)
12	KH-28-032-09-S	Governor Cross Shaft Seal
13	KH-24-018-09-S	Ring Retainer
14	KH-M-931010-S	Flat Washer, 9mm
15	KH-24-468-15-S	Flat Washer, 1 <sup>1</sup> / <sub>32</sub>
16	KH-24-144-38-S	Governor Cross Shaft
17	KH-24-032-19-S	Oil Seal, 1.78 x 1.26
18	KH-24-067-24-S	Connecting Rod (STD)
19	KH-25-153-02-S	Dipstick O-Ring
20	KH-12-153-02-S	Upper Oil Fill Tube O-Ring
21	KH-24-038-04-S	Dipstick Assembly (Inc. #19)
22	KH-25-123-07-S	Tube Assembly (Inc. #2, 19 & KH-12-123-04-S)
23	KH-32-755-04-S	Dipstick & Tube Kit
24	KH-20-153-01-S	O-Ring
25	N/A	Crankcase (Use Short Block)
NS	KH-25-357-14-S	Camshaft Lubricant

# Kohler SV720-3044 Head/Valve/Breather

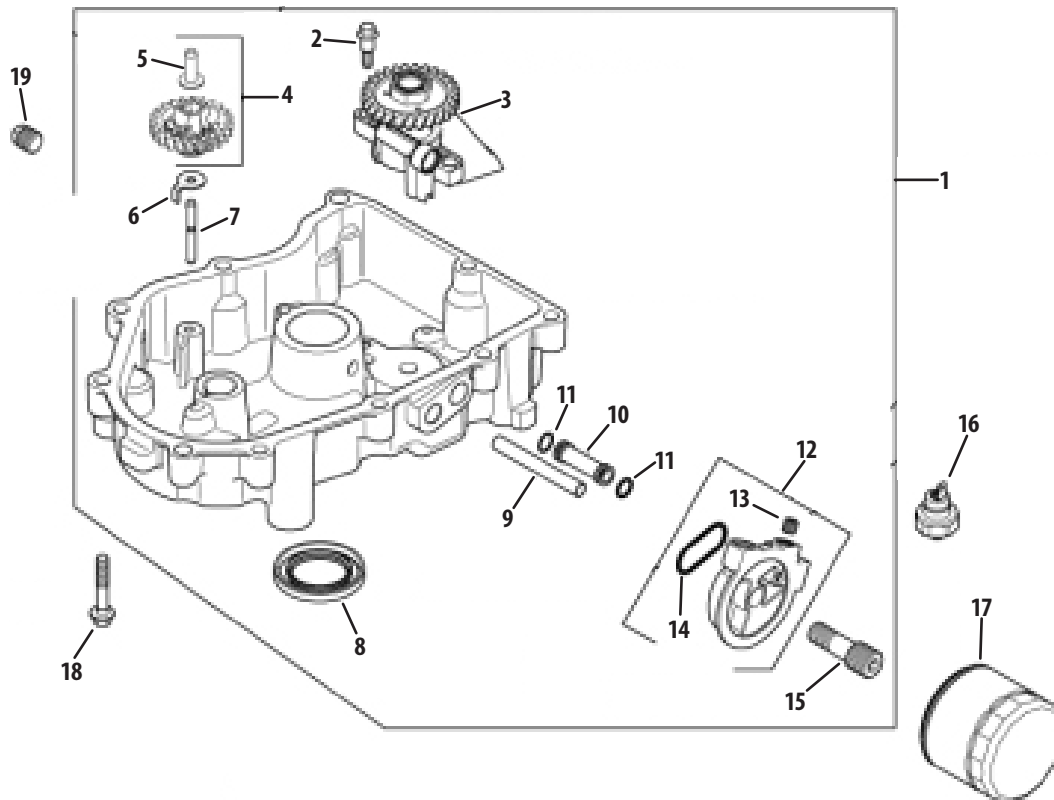


## Kohler SV720-3044 Head/Valve/Breather

Ref.	Part Number	Description
1	KH-32-096-06-S	Breather Valve Cover Kit (Inc. #2)
2	KH-24-153-30-S	Valve Cover O-Ring
3	KH-M-651030-S	Flange Screw, M6 x 1.0 x 30
4	KH-12-755-03	Retainer Kit
5	KH-12-173-01	Valve Spring Cap
6	KH-24-089-02	Valve Spring
7	KH-235011-S	Spring Retainer
8	KH-66-032-05-S	Valve Stem Seal
9	KH-24-017-01	Intake Valve (STD)
10	KH-24-016-01	Exhaust Valve (STD)
11	KH-32-326-06-S	Breather Hose Kit (Inc. #13)
12	KH-25-237-14-S	Hose Clamp, ½
13	KH-32-081-02-S	Breather Housing Kit (Inc. #15 & 16)
14	KH-M-547050-S	Lock Nut, M5 x .8
15	KH-32-468-01-S	Sealing Washer
16	KH-32-072-03-S	Breather Cover Stud
17	KH-32-019-02-S	Tappet
18	KH-32-841-01-S	Cylinder Head Gasket Kit
19	KH-62-086-08-S	Flange Screw, M10 x 1.5 x 90
20	KH-24-755-141-S	Breather Valve Cover Kit (Inc. #2 & 3)
21	KH-25-445-01-S	Lifting Strap

Ref.	Part Number	Description
22	KH-M-645016-S	Flange Screw, M6 x 1.0 x 16
23	KH-32-096-04-S	Breather Cover Kit (Inc. #32)
24	KH-32-050-01-S	Breather Filter
25	KH-32-318-13-S	#1 Cylinder Head Assembly Kit (Inc. Exhaust Mounting Hardware)
26	KH-32-318-14-S	#2 Cylinder Head Assembly Kit (Inc. Exhaust Mounting Hardware)
27	KH-32-146-09-S	Guide Plate
28	KH-32-072-04-S	Rocker Stud
29	KH-32-186-03-S	Rocker Arm
30	KH-32-100-05-S	Hex Nut Assembly (Inc. #39)
31	KH-25-086-168-S	Set Screw
32	KH-25-599-01-S	Rocker Arm Pivot
33	KH-32-411-04-S	Push Rod
34	KH-32-326-07-S	Fuel Pump Hose w/ Clamp Kit (Inc. #44)
35	KH-25-237-01-S	Hose Clamp
NS	KH-32-755-03-S	Cylinder Head Hardware Kit (Inc. #5-11, 19, 22, 25 & 34)
NS	KH-24-041-49-S	Exhaust Gasket
NS	KH-24-153-27-S	Intake Port O-Ring

# Kohler SV720-3044 Oil Pan/Lubrication

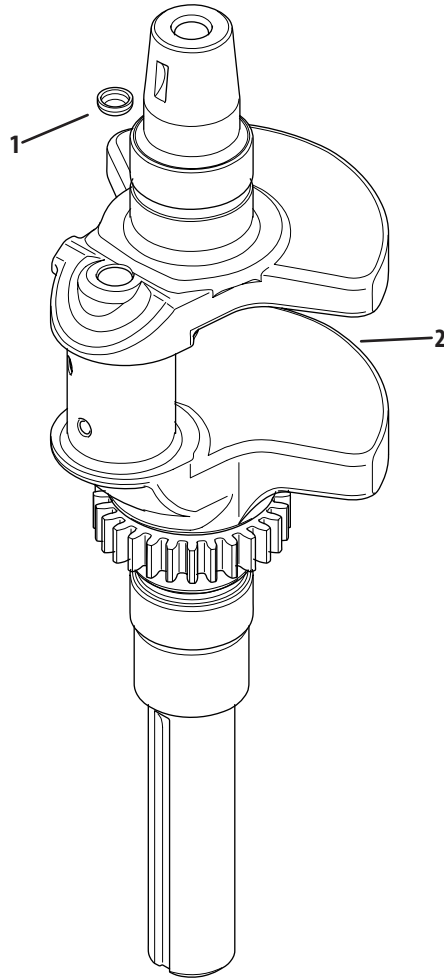


Ref.	Part Number	Description
1	KH-32-199-14-S	Oil Pan Assembly
2	KH-32-086-01-S	Screw, M6 x 6.5
3	KH-32-393-10-S	Oil Pump Assembly
4	KH-24-043-12	Governor Gear Kit w/ Pin
5	KH-12-380-01	Governor Regulating Pin
6	KH-24-448-02-S	Locking Tab
7	KH-12-144-02	Governor Gear Shaft
8	KH-25-032-06-S	Oil Seal, 2.38 x 1.45
9	KH-32-123-01-S	Oil Feed Tube (Filter to Pan)
10	KH-32-123-03-S	Oil Feed Tube (Pan to Filter)

Ref.	Part Number	Description
11	KH-24-153-01	Oil Pick-Up O-Ring
12	KH-32-029-16-S	Adapter Oil Filter Kit
13	KH-25-139-60-S	Pipe Plug, 1/8
14	KH-32-153-04-S	Oil Filter Adapter O-Ring
15	KH-32-136-03-S	Oil Filter Nipple
16	KH-25-099-27-S	Oil Pressure Switch
17	KH-12-050-01-S	Oil Filter
18	KH-24-086-17-S	Flange Screw, M8 x 1.25 x 45
19	KH-25-139-57-S	Square Head Pipe Plug, 3/8

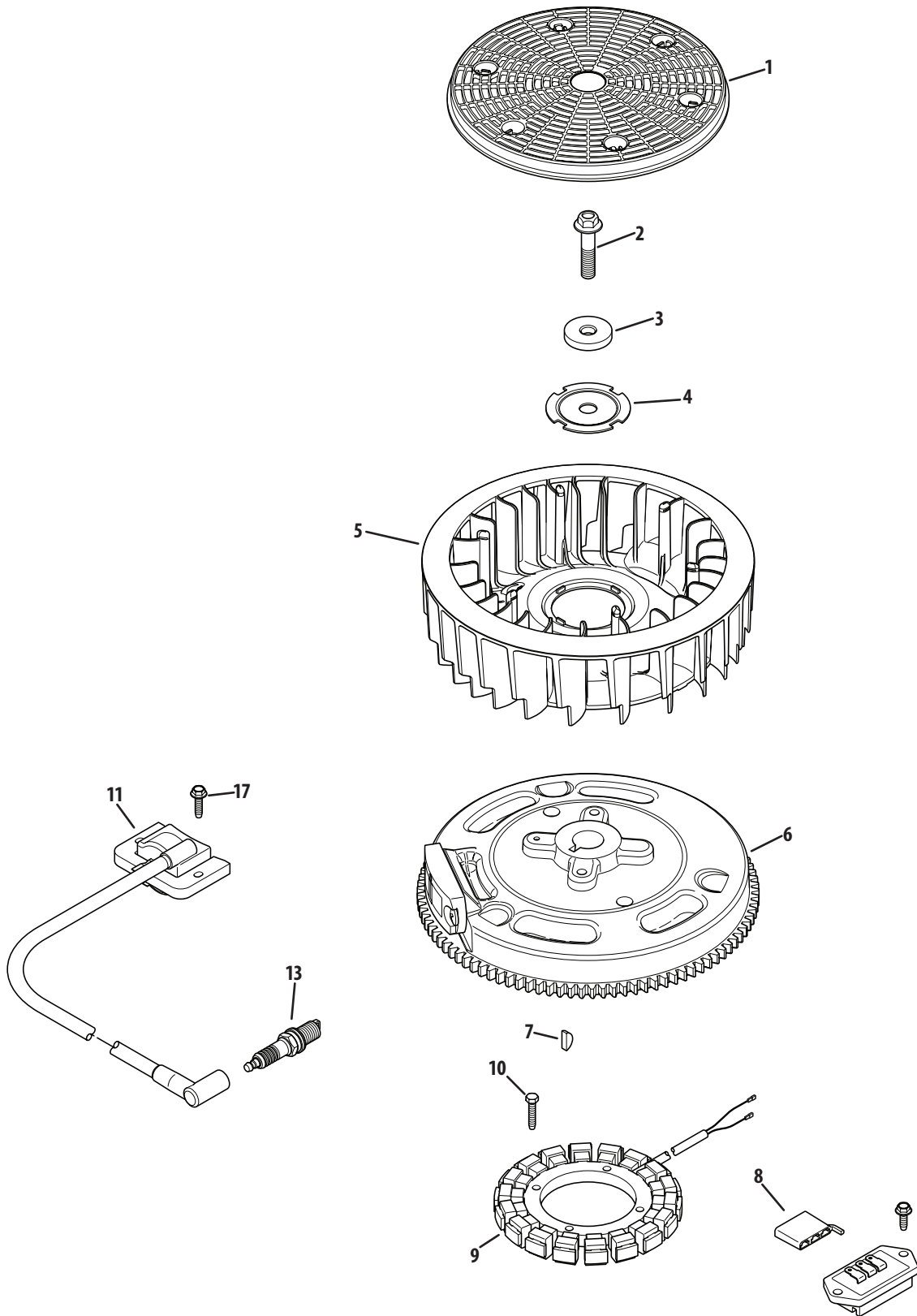


# Kohler SV720-3044 Crankshaft



Ref.	Part Number	Description
1	KH-52-139-09-S	Cup Plug
2	KH-32-014-04-S	Crankshaft (Inc. #2)

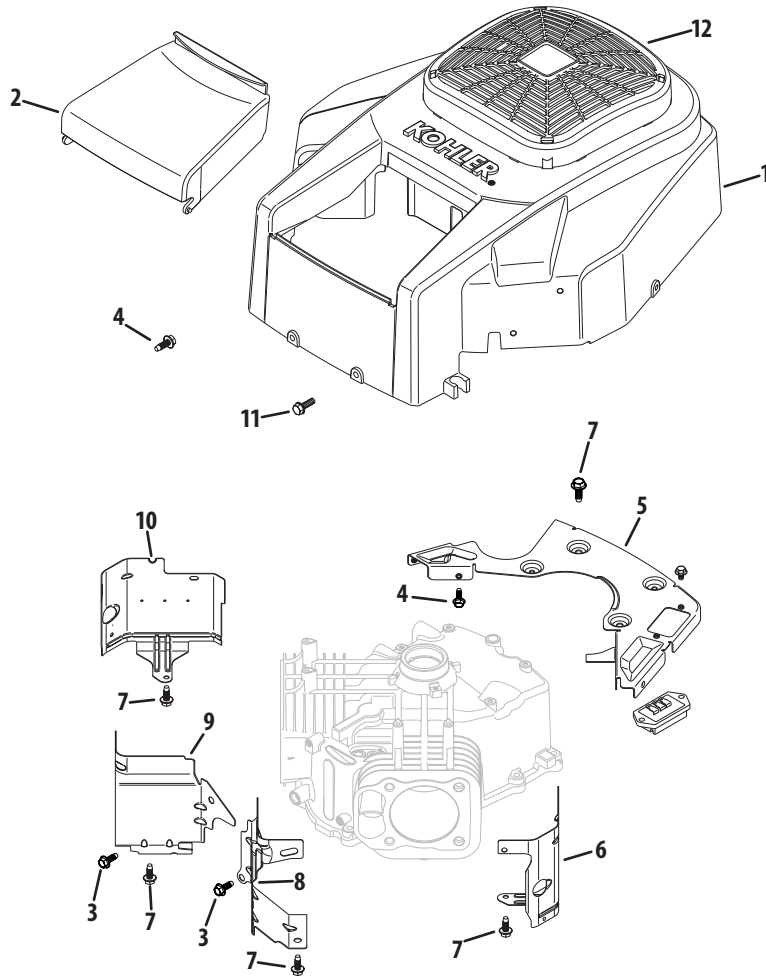
# Kohler SV720-3044 Ignition/Electrical



## Kohler SV720-3044 Ignition/Electrical

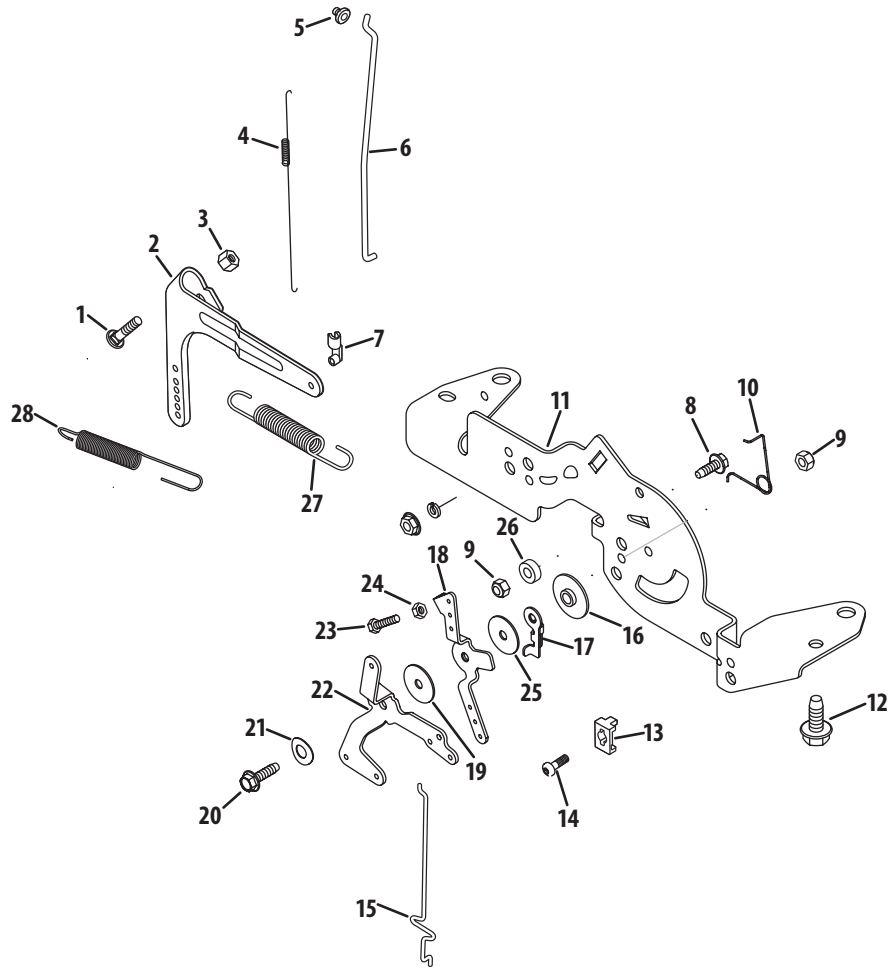
Ref.	Part Number	Description
1	KH-32-162-03-S	Grass Screen
2	KH-12-086-14	Flange Screw, M 10 x 1.5 x 45
3	KH-12-468-03	Flat Washer, <sup>13</sup> / <sub>32</sub>
4	KH-20-146-05-S	Fan Mounting Plate
5	KH-32-157-01-S	Fan
6	KH-32-025-16-S	Flywheel Assembly
7	KH-X-42-15	Key, <sup>3</sup> / <sub>16</sub> x <sup>5</sup> / <sub>8</sub>
8	KH-25-155-41-S	Connector
9	KH-237878	15 Amp Stator Kit (Inc. KH-25-452-01-S)
10	KH-M-548025-S	Screw, M5 x 0.8 x 25
11	KH-24-584-45-S	Module Ignition Kit
12	KH-M-545020-S	Flange Screw, M5 x .8 x 20
13	769-3336	Spark Plug
NS	KH-25-454-03-S	Wire Tie
NS	KH-32-176-24-S	Wiring Harness
NS	KH-25-452-01-S	Terminal

# Kohler SV720-3044 Blower Housing & Baffles



Ref.	Part Number	Description
1	KH-32-027-08-S	Blower Housing Kit (Fixed Guard) (Inc. #12 & KH-41-037-10-S)
2	KH-32-096-08-S	Air Cleaner Cover
3	KH-M-0545010	Flange Screw, M5 x .8 x 10
4	KH-M-545016-S	Flange Screw, M5 x .8 x 16
5	KH-32-146-05-S	Backing Plate Kit
6	KH-32-063-12-S	Cylinder Barrel Baffle, #2 Side
7	KH-M-645016-S	Flange Screw, M6 x 1.0 x 16
8	KH-32-063-02-S	Valley Baffle, #2 Side
9	KH-32-063-03-S	Valley Baffle, #1 Side
10	KH-32-063-10-S	Cylinder Barrel Baffle, #1 Side
11	KH-24-086-12	Tap Screw, M6 x 1.7 x 18
12	KH-32-314-05-S	Fixed Guard
NS	KH-32-113-11-S	Fixed Guard Decal
NS	KH-41-037-10-S	Service Nameplate

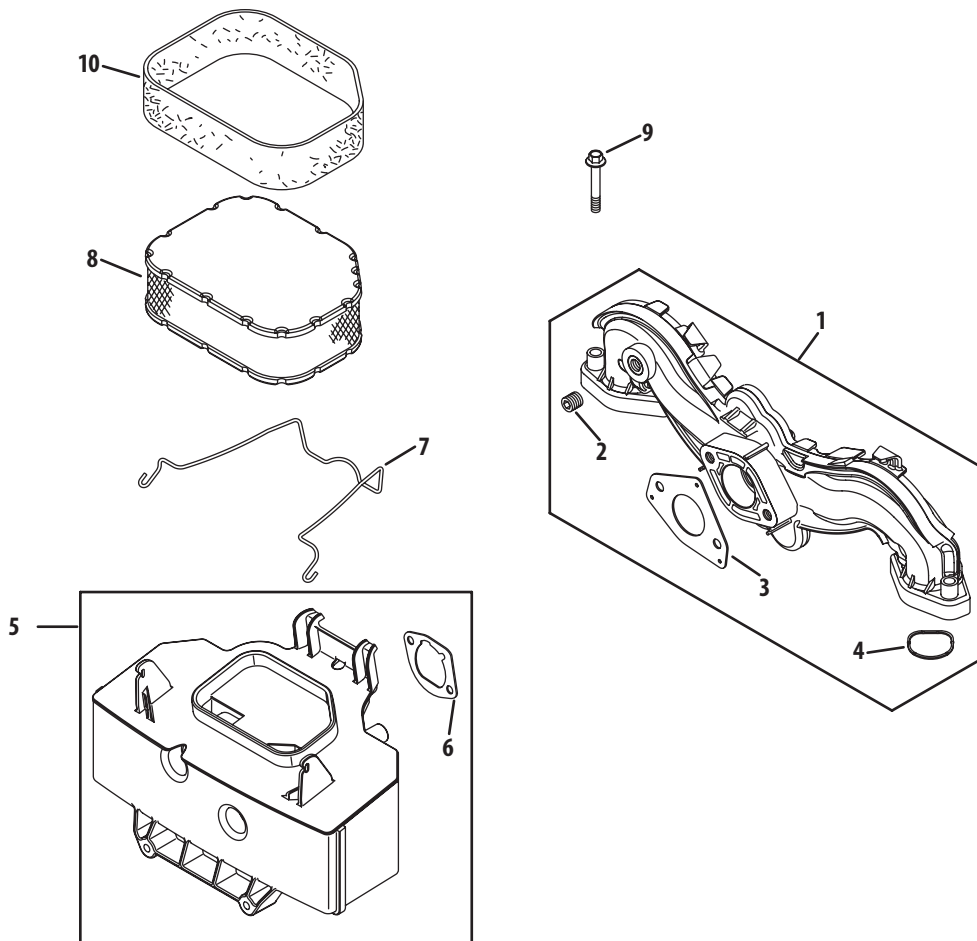
# Kohler SV720-3044 Engine Controls



Ref.	Part-Number	Description
1	KH-24-211-03-S	Bolt, M6 x 1.0 x 25
2	KH-24-090-51-S	Governor Lever
3	KH-M-641060-S	Flange Nut, M6 x 1.0
4	KH-24-089-01	Linkage Spring
5	KH-25-158-08	Linkage Retaining Bushing
6	KH-24-079-04	Throttle Linkage
7	KH-25-158-11	Throttle Linkage Bushing
8	KH-M-545016-S	Flange Screw, M5 x .8 x 16
9	KH-M-547050-S	Lock Nut, M5 x 8
10	KH-24-089-03	Choke Return Spring
11	KH-24-126-172-S	Control Bracket
12	KH-M-645016-S	Flange Screw, M6 x 1.0 x 16
13	KH-12-237-01	Cable Clamp
14	KH-24-086-43-S	Screw, M5 x .8 x 16

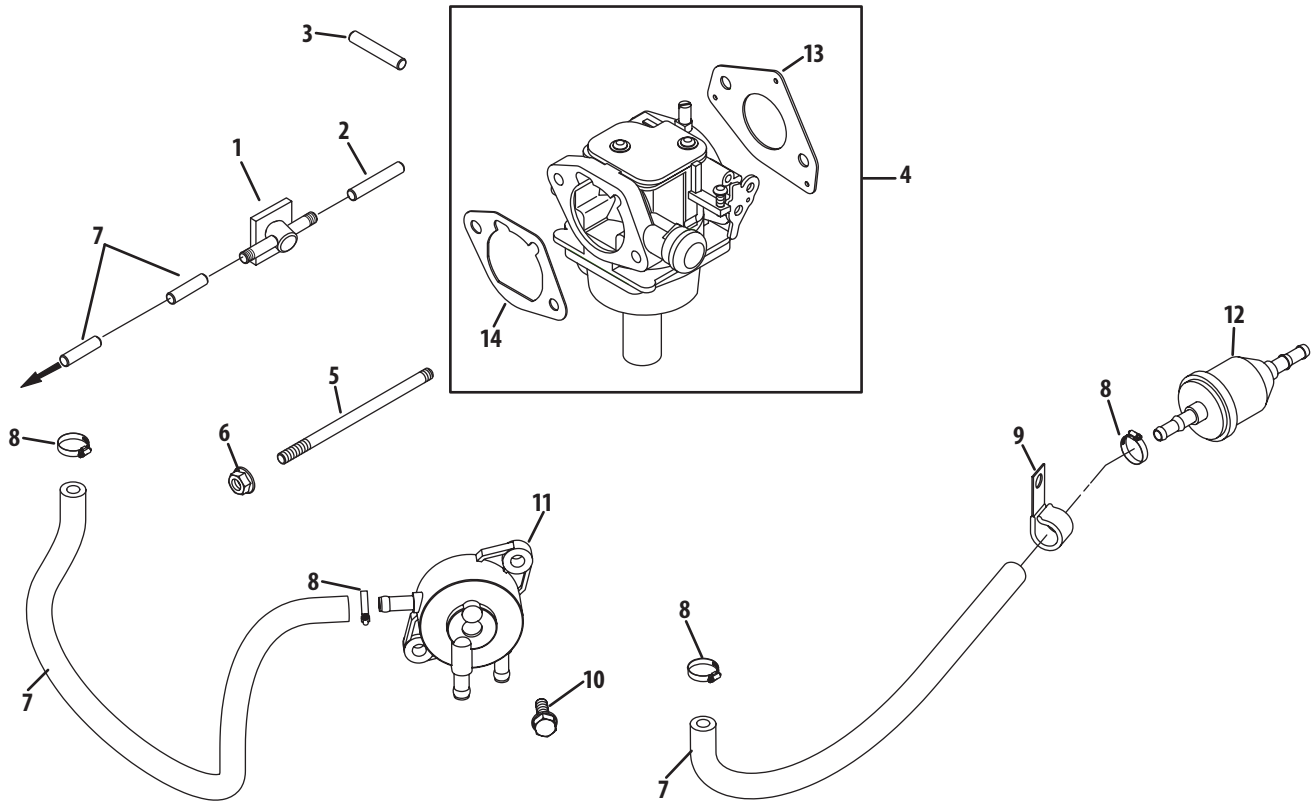
Ref.	Part-Number	Description
15	KH-24-079-22-S	Choke Linkage
16	KH-24-112-27-S	Control Assembly Spacer
17	KH-24-090-47-S	Throttle Actuator Lever
18	KH-24-090-13	Throttle Control Lever
19	KH-24-468-01	Flat Washer, 5.5mm
20	KH-M-545020-S	Flange Screw, M5 x .8 x 20
21	KH-41-468-03	Spring Washer, 1/4
22	KH-24-090-05	Choke Lever
23	KH-M-403025	Screw, M4 x .7 x 25
24	KH-M-446030-S	Nut, M4 x .7
25	KH-24-468-20-S	Flat Washer, 5mm
26	KH-24-112-24-S	Spacer
27	KH-24-089-55-S	Governor Spring
28	KH-24-089-25-S	Governor Spring

# Kohler SV720-3044 Air Intake/Filtration



Ref.	Part Number	Description
1	KH-24-164-91-S	Intake Manifold Kit (Inc. #2-4)
2	KH-25-139-60-S	Pipe Plug
3	KH-24-041-52-S	Carburetor Gasket
4	KH-24-153-27-S	O-Ring
5	KH-32-094-04-S	Air Cleaner Base Kit (Inc. #5 & 6)
6	KH-24-041-14	Air Cleaner Base Gasket
7	KH-32-344-02-S	Air Cleaner Element Latch
8	KH-32-883-03-S1	Air Filter Element
9	KH-M-651040-S	Flange Screw, M6 x 1.0 x 40

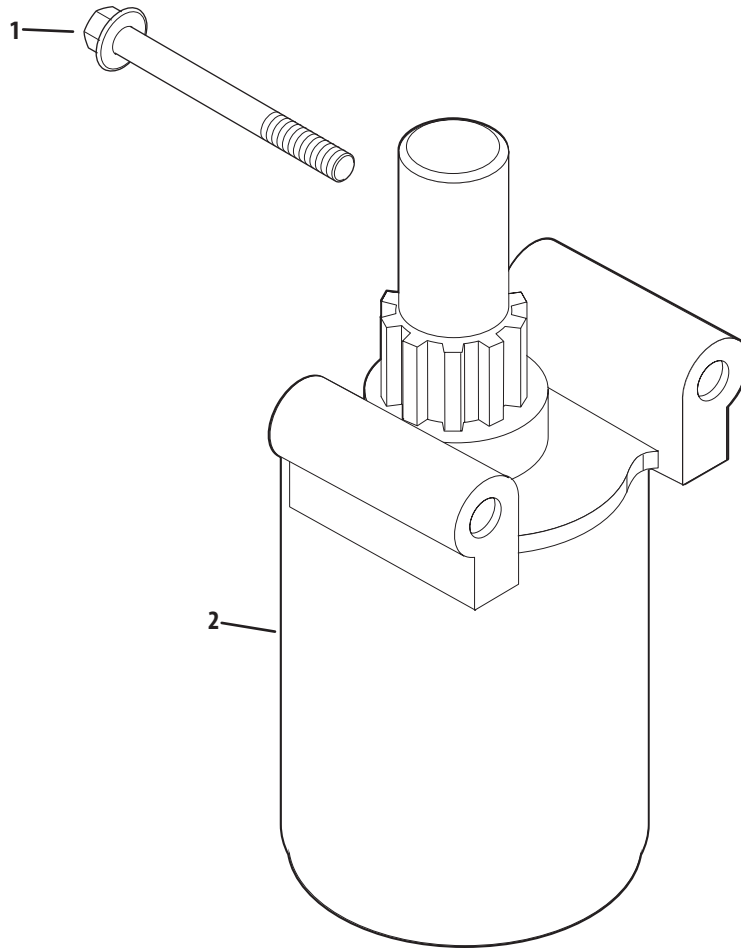
# Kohler SV720-3044 Fuel System



Ref.	Part-Number	Description
1	KH-25-155-40-S	SAI Connector
2	KH-25-173-23-S	Masking Cap
3	KH-25-173-25-S	Masking Cap
4	KH-32-853-17-S	Carburetor Kit (Inc. #13 & 14)
5	KH-M-629105-S	Stud, M6 x 1.0 x 106
6	KH-M-641060-S	Flange Nut, M6 x 1.0
7	KH-25-111-34-S	Fuel Line

Ref.	Part-Number	Description
8	KH-25-237-14-S	Hose Clamp, ½
9	KH-47-154-01-S	Cable Clip
10	KH-24-086-12	Screw, M6 x 1.7 x 18
11	KH-24-393-16	Fuel Pump
12	KH-25-050-22-S1	Fuel Filter
13	KH-24-041-52-S	Carburetor Gasket
14	KH-24-041-14	Air Cleaner Base Gasket

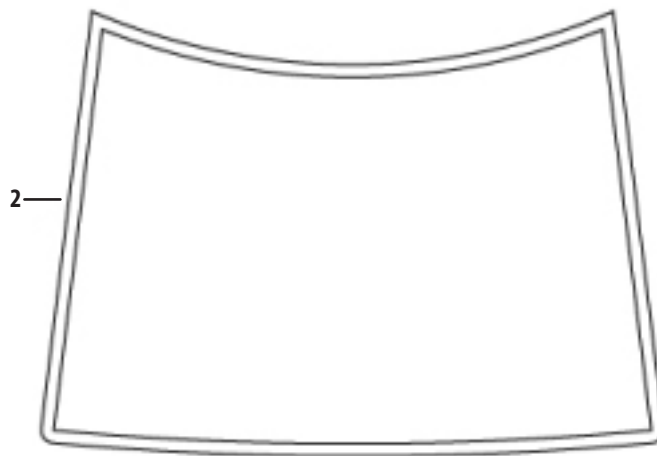
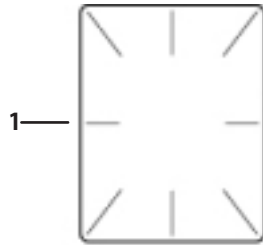
# Kohler SV720-3044 Starting System



Ref.	Part Number	Description
1	KH-32-098-03-S	Starter Assembly
2	KH-M-851080-S	Flange Screw, M8 x 1.25 x 80

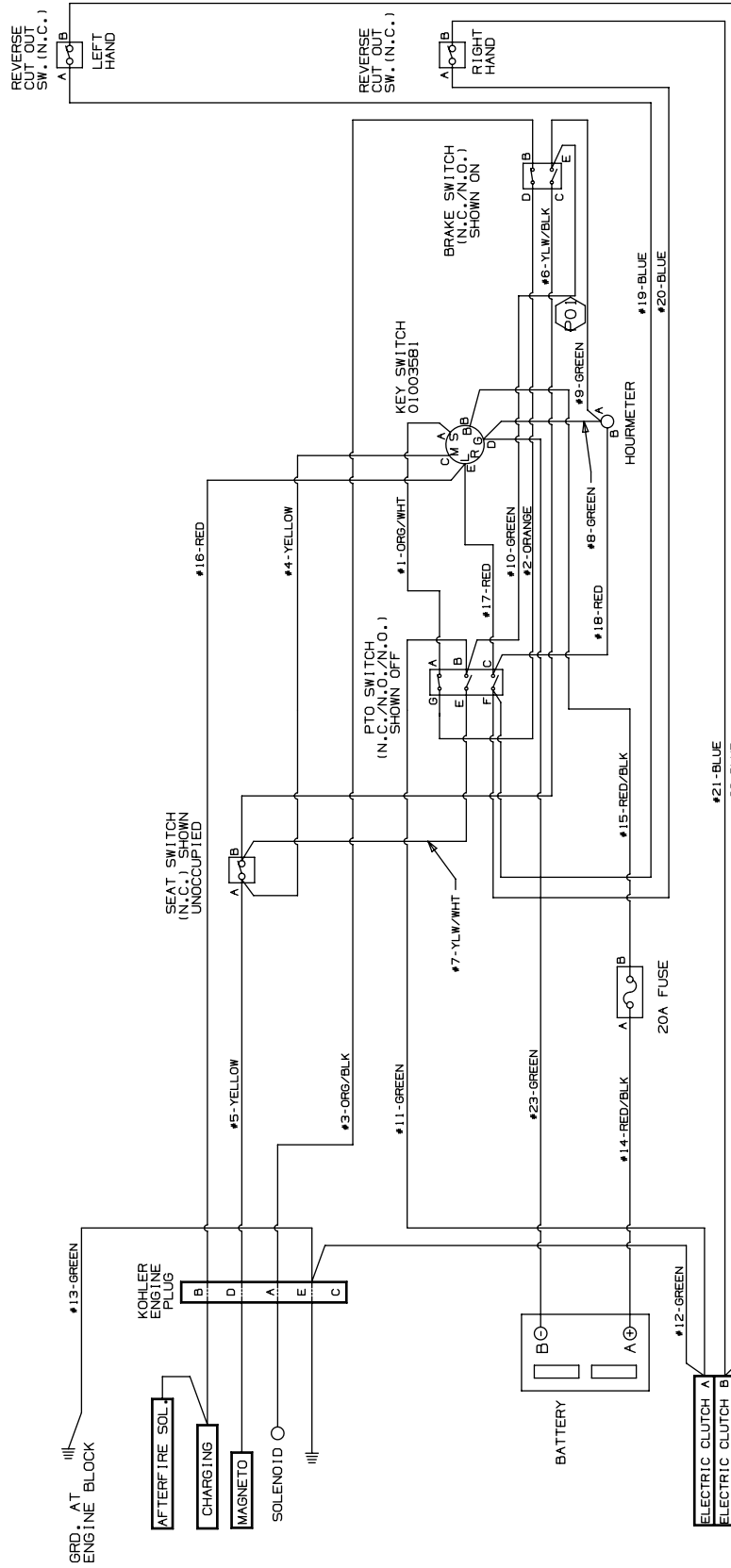


# Kohler SV720-3044 Miscellaneous



Ref.	Part Number	Description
1	KH-25-113-39-S	Clear Laminate Decal
2	KH-32-113-07-S	Decal, 23 HP

# Electrical Schematic







To order replacement parts, call a Customer Support Representative at (800) 965-4CUB.  
Locate your nearest Cub Cadet dealer at (877) 282-8684  
or visit [www.cubcadet.com](http://www.cubcadet.com) to find the nearest Cub Cadet dealer in your area.

---

**CUB CADET LLC, P.O. BOX 361131 CLEVELAND, OHIO 44136-0019**

---