

# *Cub Cadet*

## Parts Manual

### **SERIES 1000**

Hydrostatic Lawn Tractor

Models LT1042

LT1045

LT1046

LT1050



**CUB CADET LLC, P.O. BOX 361131 CLEVELAND, OHIO 44136-0019**

PRINTED IN U.S.A.

FORM NO. 769-00578C  
(11/9/2004)

# SERIES 1000 HYDROSTATIC LAWN TRACTORS

## TABLE OF CONTENTS

| DESCRIPTION              | PAGE | DESCRIPTION                     | PAGE |
|--------------------------|------|---------------------------------|------|
| Axle, Front .....        | 6    | Frame .....                     | 8    |
| Battery .....            | 16   | Fuel Tank .....                 | 10   |
| Brake Pedal .....        | 12   | Head Lamp .....                 | 18   |
| Deck, 42-inch.....       | 20   | Hood .....                      | 18   |
| Deck, 46-inch.....       | 22   | Lift Linkage .....              | 11   |
| Deck, 50-inch.....       | 24   | Muffler .....                   | 15   |
| Dash Panel .....         | 16   | PTO .....                       | 19   |
| Drive System .....       | 4    | Seat .....                      | 14   |
| Engines .....            | *    | Steering .....                  | 6    |
| Engine Accessories ..... | 15   | Transmission, Hydrostatic ..... | 26   |
| Fender .....             | 10   | Wheels, Front & Rear .....      | 3    |

\* Engine parts breakdowns unavailable at time of printing.

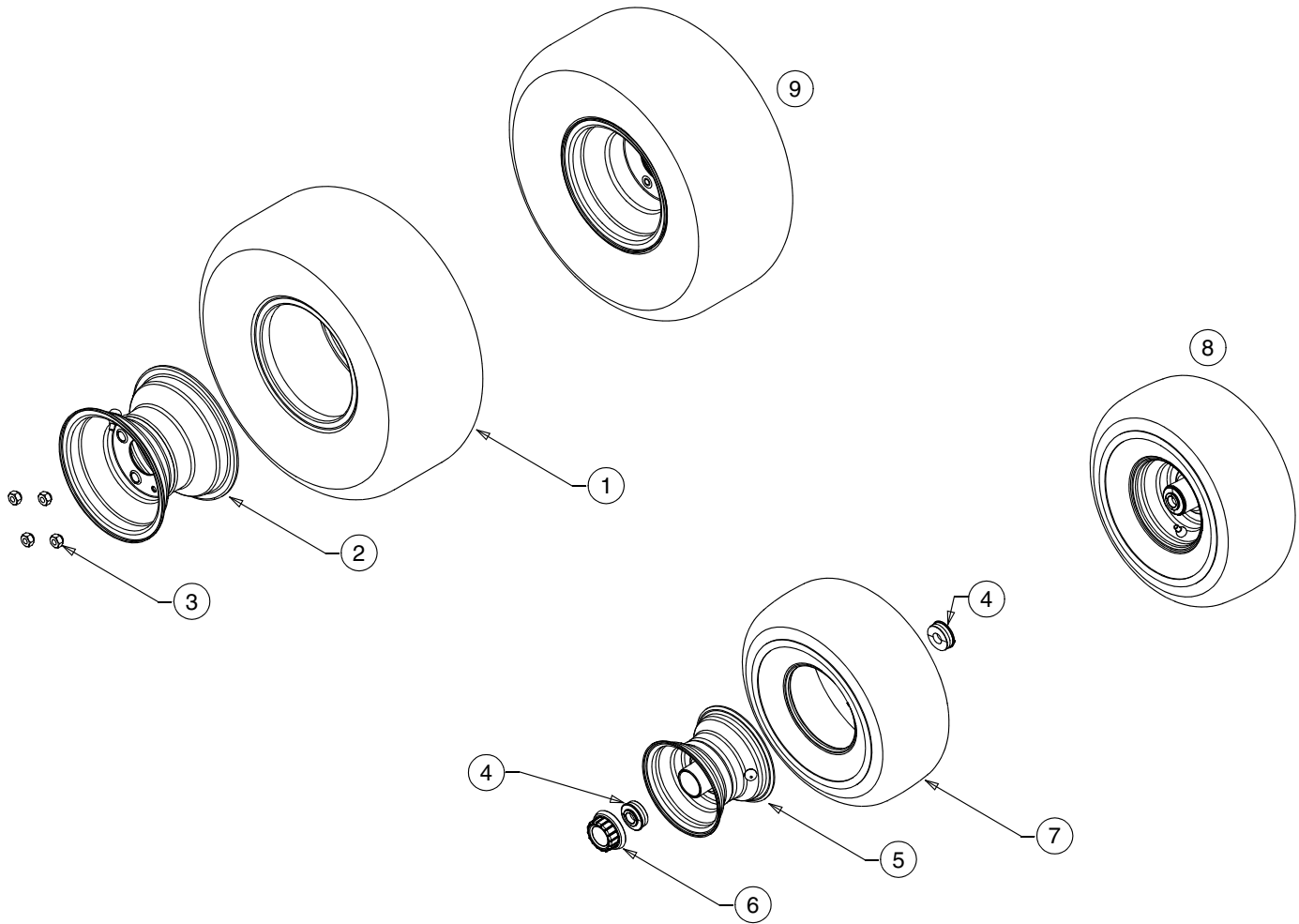
**NOTE,** For **painted parts**, please refer to the list of color codes below. Please add the applicable color code, wherever needed, to the part number to order a replacement part. For instance, if a part, numbered 700-xxxx, is painted Cub Yellow, the part number to order would be 700-xxxx-0716.

Cub Yellow: 0716

Cub Beige: 0499

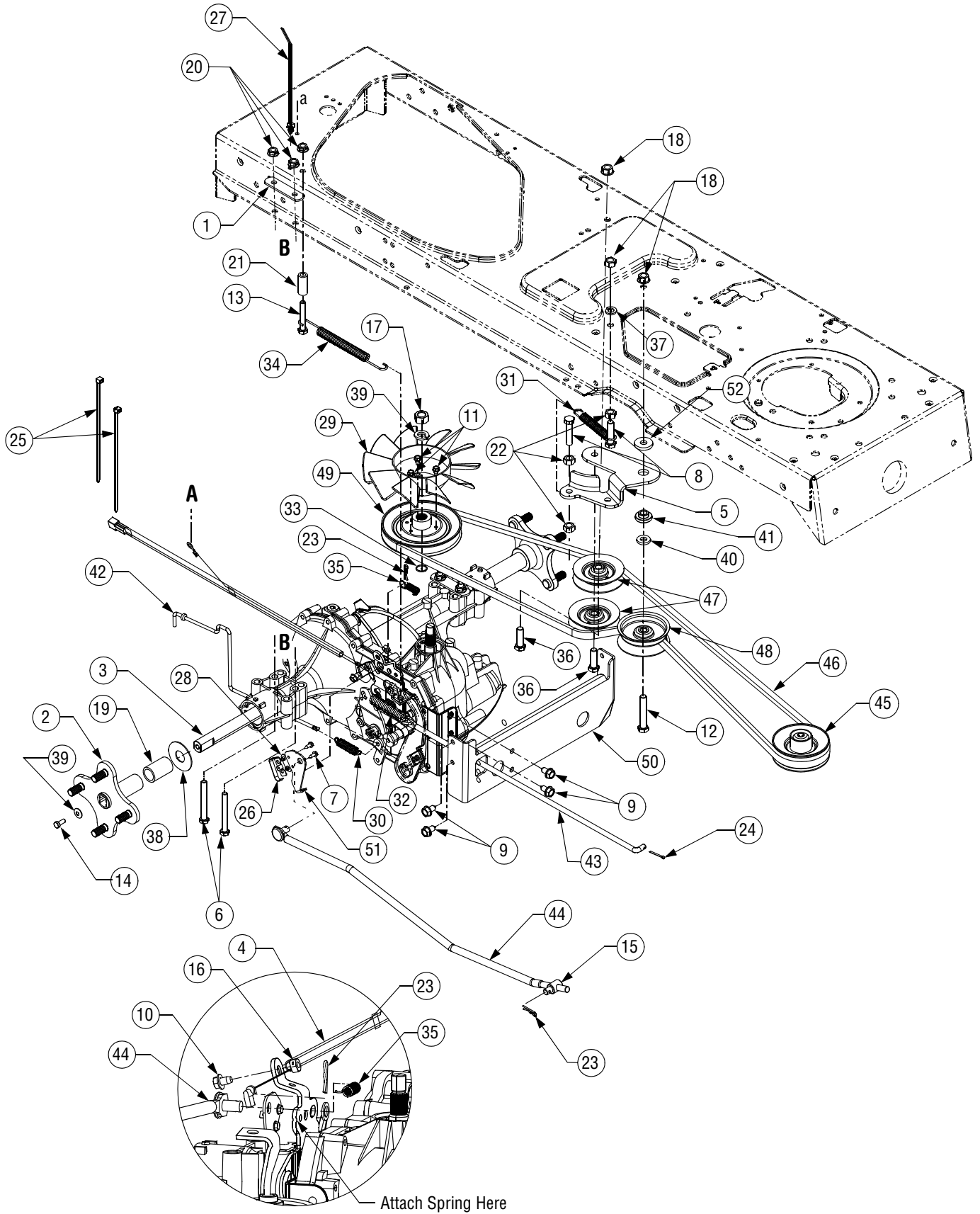
Powder Black: 0637

## WHEELS



| REF. NO. | PART NUMBER | DESCRIPTION   | QTY. |
|----------|-------------|---|------|
| 1        | 734-04139   | Tire, Turf, <i>Cub Cadet</i> 20 x 10 x 8  | 2    |
| 2        | 634-0246A   | Rim Assembly, 8.0 x 6.19 (4-Lug)  | 2    |
| 3        | 712-3050    | Lug Nut, 7/16-14  | 8    |
| 4        | 741-3032    | Bearing, Ball, .75 ID x 1.75 OD   | 4    |
| 5        | 634-04104A  | Rim Assembly, 6 x 4.5<br>(Included, Bearings, Spacer and Valve)                       | 2    |
| 6        | 731-3020    | Hub Cap   | 2    |
| 7        | 734-0414D   | Tire, Turf, <i>Cub Cadet</i> 15 x 6 x 6   | 2    |
| 8        | 634-04094A  | Wheel Assembly, <i>Cub Cadet</i> 15 x 6 x 6<br>(Includes Rim Ass'y, Tire and Fitting) | 2    |
| 9        | 634-0245B   | Wheel Assembly, <i>Cub Cadet</i> 20 x 10 x 8<br>(Includes Rim Ass'y, Tire and Valve)  | 2    |
| —        | 737-0224    | Gease Fitting   | 2    |
| —        | 734-0255    | Valve, Tubeless Air   | 4    |

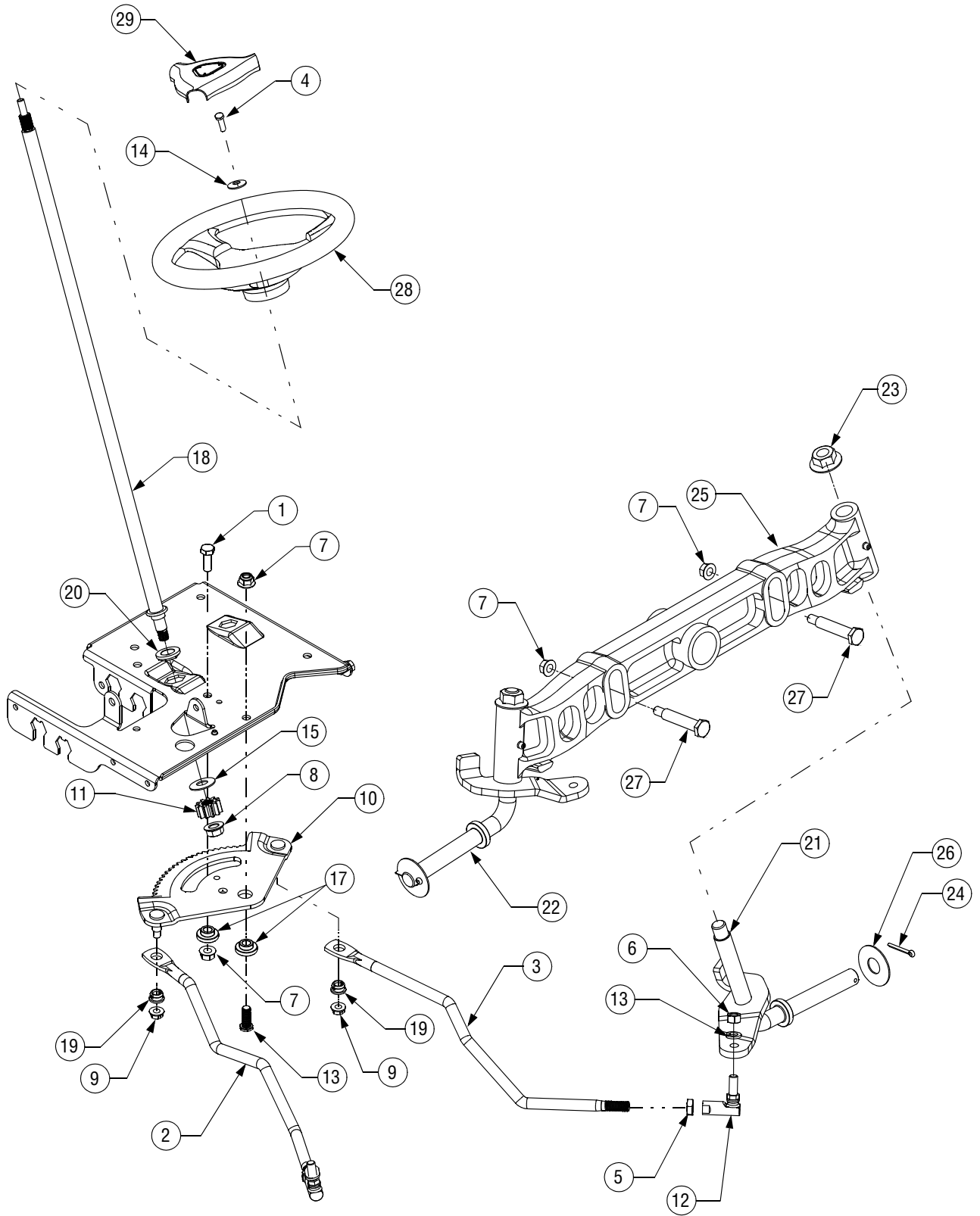
# DRIVE SYSTEM



## DRIVE SYSTEM

| REF. NO. | PART NUMBER | DESCRIPTION                          | QTY. |
|----------|-------------|--------------------------------------|------|
| 1        | 17840       | Bracket, Mounting, Transaxle         | 2    |
| 2        | 618-04145   | Hub Assembly, Wheel                  | 2    |
| 3        | 618-0319    | Transmission, Hydrostatic            | 1    |
|          | 618-04228   | Transmission, Hydrostatic w/ Drain   | 1    |
| 4        | 629-04124   | Harness Assembly, Ground & Reverse   | 1    |
| 5        | 783-04442   | Bracket Assembly, Idler, Center Dbl  | 1    |
| 6        | 710-1266    | Hex Cap Screw, 5/16-18,3.5, Gr5      | 4    |
| 7        | 710-0227    | Screw, #8-18, 0.500                  | 2    |
| 8        | 710-0344    | Hex Cap Screw, 3/8-16, 1.50, Gr5     | 3    |
| 9        | 710-0726    | Screw, 5/16-12, 0.75                 | 6    |
| 10       | 710-0599    | Screw, 1/4-20, 0.5                   | 1    |
| 11       | 710-3007    | Screw, #12-24, 0.375                 | 3    |
| 12       | 710-3011    | Hex Cap Screw, 3/8-16, 2.25, Gr5     | 1    |
| 13       | 710-0809    | Hex Cap Screw, 5/16-18, 1.25, Gr5    | 1    |
| 14       | 710-0627    | Hex Cap Screw, 5/16-24 x .750        | 2    |
| 15       | 711-0832    | Ferrule, 3/8-24 x .375 Dia           | 1    |
| 16       | 712-0291    | Nut, Hex Lock, 1/4-20                | 1    |
| 17       | 712-0333    | Nut, Hex, 1/2-20, Gr2                | 1    |
| 18       | 712-04065   | Nut, Nylon Lock, 3/8-16              | 4    |
| 19       | 731-05130   | Sleeve, 2.4"                         | 2    |
| 20       | 712-04052   | Nut, Nylon Lock, 5/16-18, Gr5        | 5    |
| 21       | 750-0566    | Spacer, 1"                           | 1    |
| 22       | 712-3017    | Nut, Hex, 3/8-16, Gr8                | 3    |
| 23       | 714-0104    | Pin, Cotter, .072 Dia. x 1.13 Lg     | 2    |
| 24       | 714-0111    | Pin, Cotter, 3/32, 1.0               | 1    |
| 25       | 725-0157    | Cable, Tie, 3/16 x .05 x 7.4         | 2    |
| 26       | 725-1644    | Switch, Spring, Short                | 1    |
| 27       | 726-0154    | Tie, Cable, Push Mount 7.5 Lg        | 1    |
| 28       | 726-0320    | Plate, Insulator Nut                 | 1    |
| 29       | 731-1449A   | Fan, Blade, 10"                      | 1    |
| 30       | 732-0209    | Spring, .48 OD x 2.03 Extension      | 1    |
| 31       | 732-0429A   | Spring, Extension, .50 Dia x 3.97 Lg | 1    |
| 32       | 732-0716    | Spring, Extension, .59 OD x 4.00 Lg  | 1    |
| 33       | 732-0729    | Ring, Wire                           | 1    |
| 34       | 732-0994    | Spring, Extension, .500 Dia x 7.0    | 1    |
| 35       | 732-3118    | Spring, Extension, 3/8 OD x 1.44     | 1    |
| 36       | 710-0502A   | Screw, 3/8-16, 1.25                  | 1    |
| 37       | 736-0169    | Washer, Lock, 3/8 , Regular Duty     | 1    |
| 38       | 736-0866    | Washer, Flat, .755 x 1.92 x .060     | 2    |
| 39       | 736-0242    | Belle Washer                         | 2    |
| 40       | 736-3010    | Washer, Flat, .407 x .812 x .135     | 1    |
| 41       | 738-0372B   | Spacer, Shoulder, 1.00 x .38 x .38   | 1    |
| 42       | 747-1149    | Rod, Hydro Bypass                    | 1    |
| 43       | 747-04139   | Rod, Brake, Hydro                    | 1    |
| 44       | 747-1151    | Rod, Control, Hydro                  | 1    |
| 45       | 756-0978A   | Pulley, Engine, 3.56 Dia.            | 1    |
| 46       | 754-0461    | Belt, V Type, Poly                   | 1    |
| 47       | 756-0116A   | Pulley, Idler, V Type x 3.06 Dia     | 2    |
| 48       | 756-0981B   | Pulley, Idler, Flat 2.75 OD          | 1    |
| 49       | 756-04111   | Pulley, Engine, 4.11Dia.             | 1    |
| 50       | 783-0810B   | Bracket, Transmission, Torque Hydro  | 1    |
| 51       | 783-1019    | Bracket, Actuator, Switch            | 1    |
| 52       | 736-0320    | Washer, Flat, .38 x 1.92 x .060      | 1    |

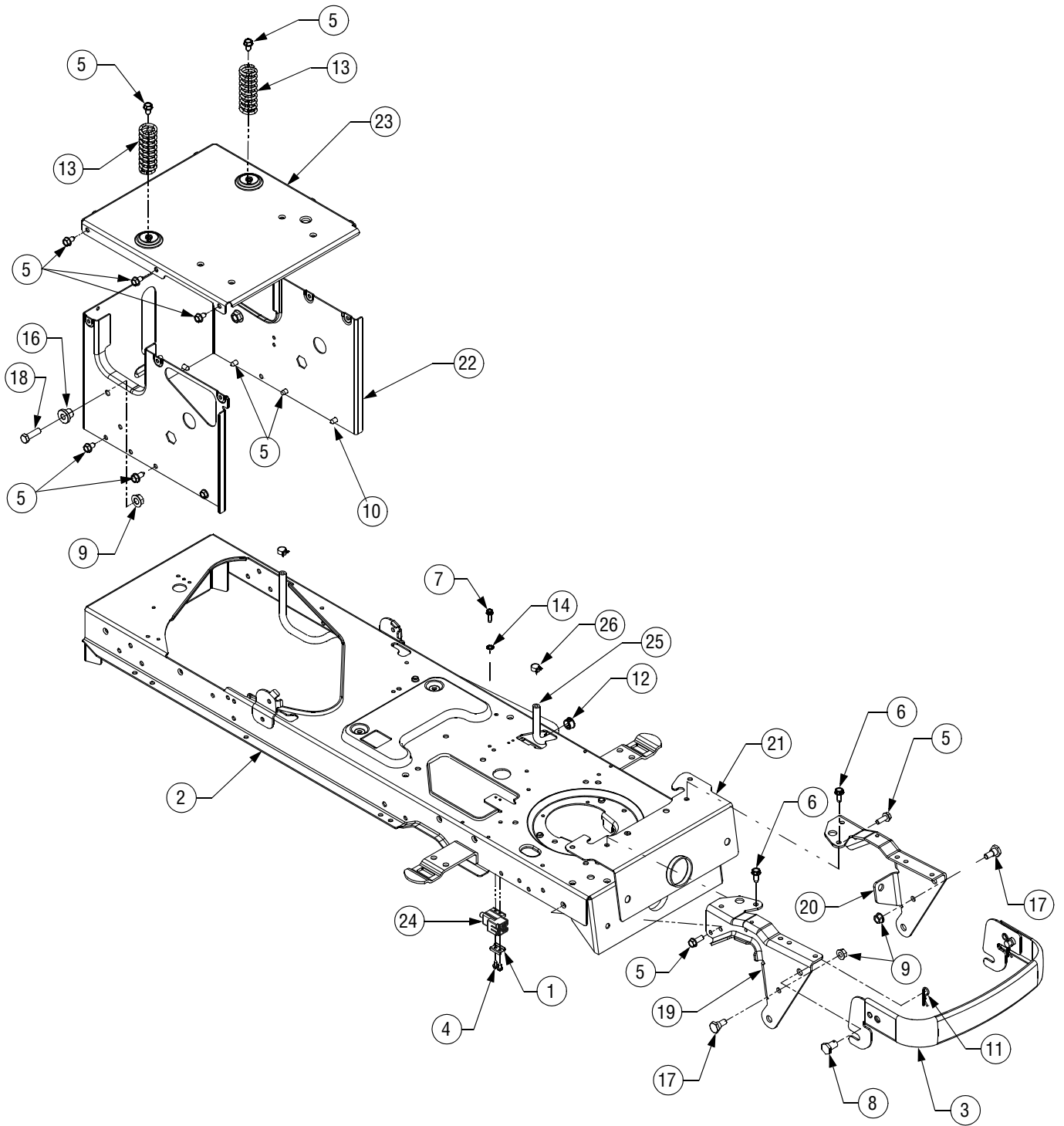
# STEERING



## STEERING

| REF. NO. | PART NUMBER | DESCRIPTION                           | QTY. |
|----------|-------------|---------------------------------------|------|
| 1        | 710-0514    | Hex Cap Screw, 3/8-16, 1.00, Gr5, Std | 1    |
| 2        | 711-1408    | Link, Drag, RH                        | 1    |
| 3        | 711-1409A   | Link, Drag, LH                        | 1    |
| 4        | 710-1260    | Self-tapping Screw, 5/16-18 x .75     | 1    |
| 5        | 712-0240    | Nut, Jam, 7/16-20, Gr2                | 2    |
| 6        | 712-0214    | Nut, Hex, 3/8-24, Gr5                 | 2    |
| 7        | 712-04065   | Nut, Nylon Lock, 3/8-16               | 4    |
| 8        | 712-0459    | Nut, Flange Lock, 7/16-20             | 1    |
| 9        | 712-3004A   | Nut, Flange Lock, 5/16-18             | 2    |
| 10       | 717-1550E   | Gear, Steering, 11/90 Ratio           | 1    |
| 11       | 717-1554    | Gear, Pinion, Steering                | 1    |
| 12       | 723-0448A   | Ball Joint, 7/16-20                   | 2    |
| 13       | 710-04095   | Hex Cap Screw, 3/8-16, 1.00           | 1    |
| 14       | 736-3004    | Washer, Flat, .406 x .875 x .105      | 1    |
| 15       | 736-3084    | Washer, Flat, .510 x 1.120 x .060     | 1    |
| 16       | 737-3007    | Grease, Alvania Ep 2                  | 1    |
| 17       | 738-04154   | Spacer, Shoulder, 1.00 x .38 x .38    | 2    |
| 18       | 738-04075   | Shaft, Steering, .625 OD x 25.00 Lg   | 1    |
| 19       | 741-0475    | Bushing, Plastic, .380 ID             | 2    |
| 20       | 741-0656A   | Bearing, Hex Flange, 5/8              | 1    |
| 21       | 683-04101   | Axle Assembly, LH .750 Dia            | 1    |
| 22       | 683-04102   | Axle Assembly, RH .750 Dia            | 1    |
| 23       | 712-0417A   | Nut, Hex, Flange, 5/8-18              | 2    |
| 24       | 714-04039   | Pin, Cot, 5/32, 1.25                  | 2    |
| 25       | 719-04105   | Axle, Pivot, Cast .750 Dia            | 1    |
| 26       | 736-0866    | Washer, Flat, .755 x 1.92 x .060      | 2    |
| 27       | 738-1011A   | Screw, Shoulder, .500 x 2.230, 3/8-16 | 2    |
| 28       | 631-04008   | Wheel, Steering, Three Spoke          | 1    |
| 29       | 731-04532   | Cover, Steering Wheel                 | 1    |

# FRAME

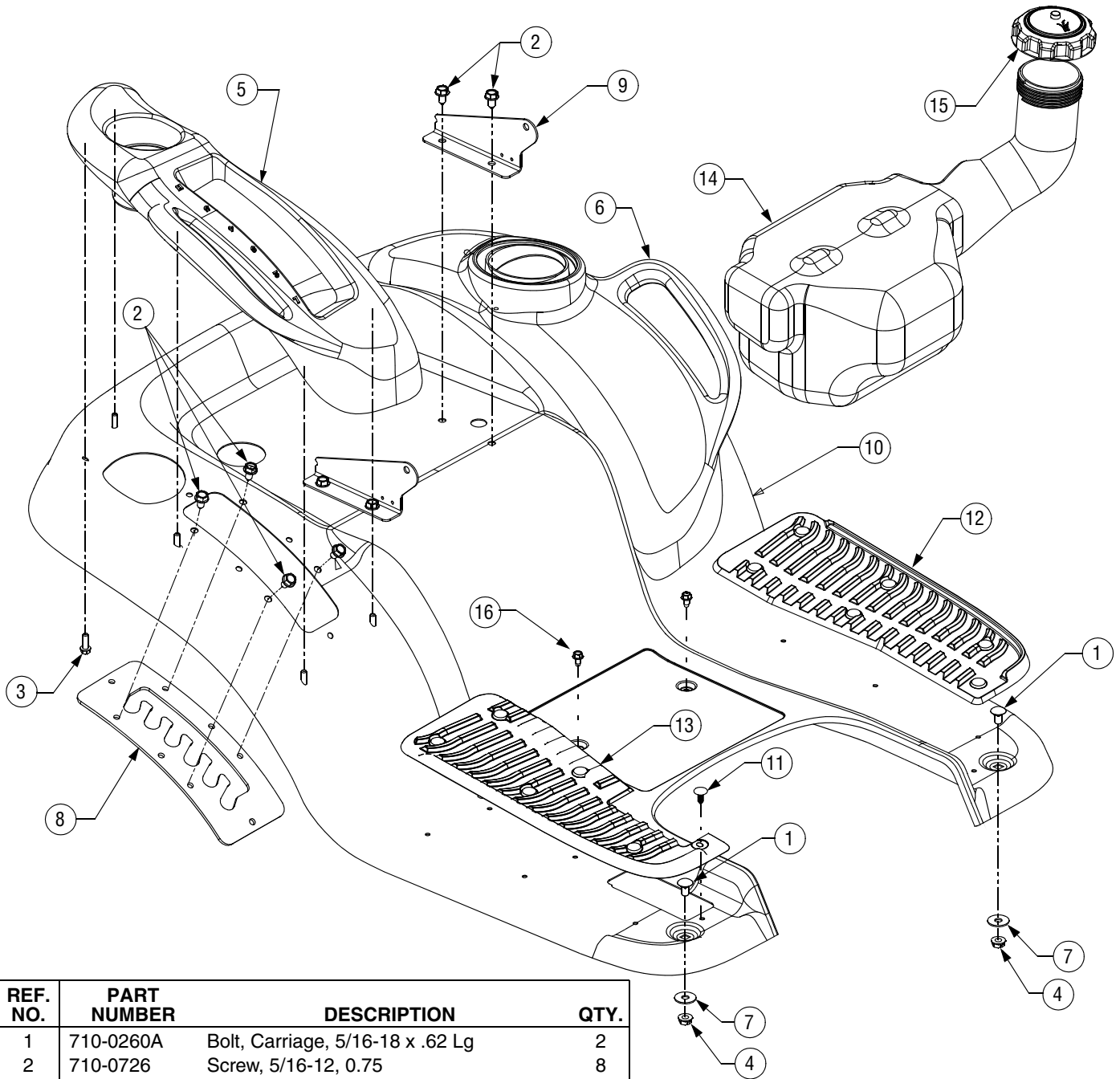




## FRAME

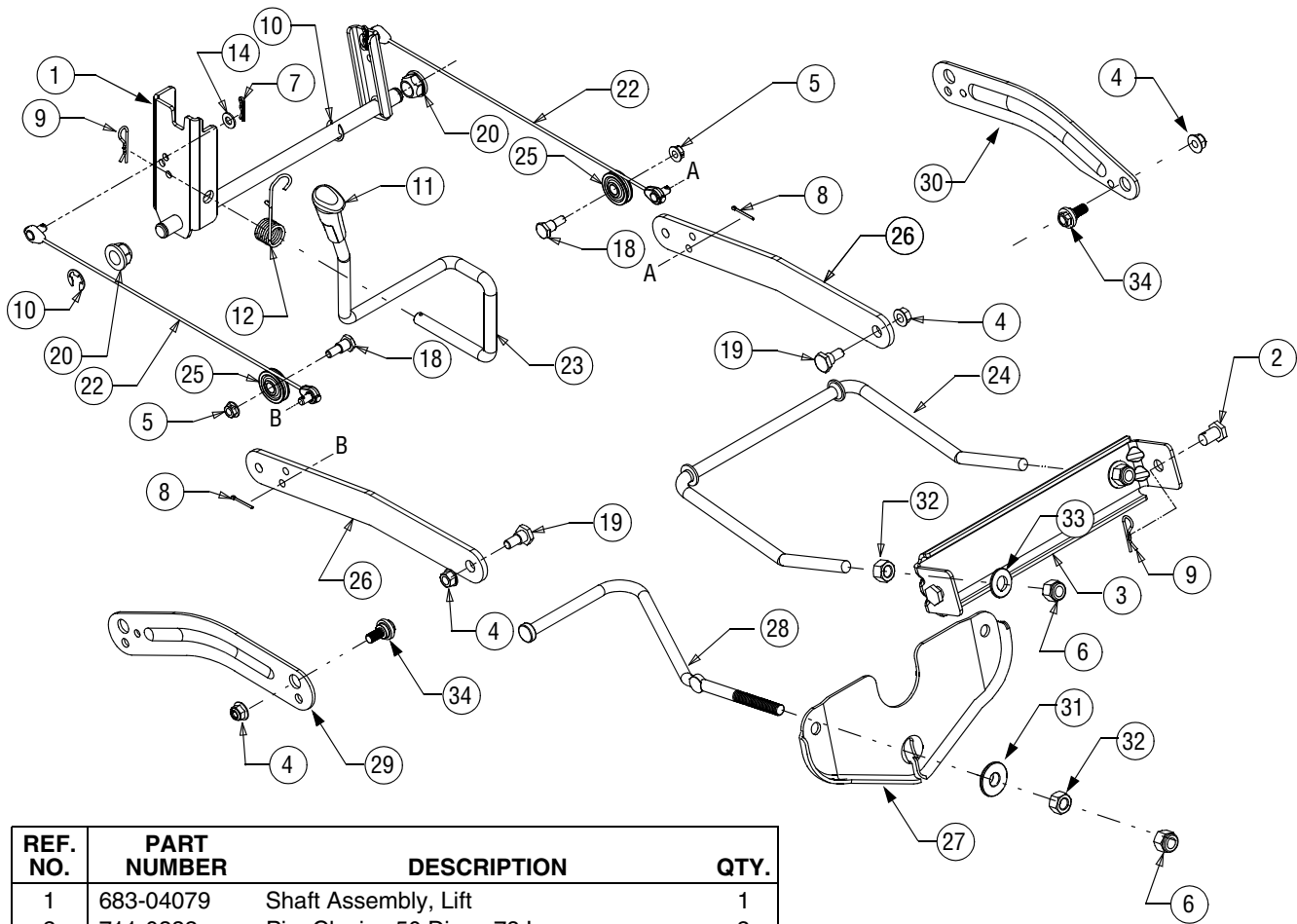
| REF.<br>NO. | PART<br>NUMBER | DESCRIPTION                               | QTY. |
|-------------|----------------|---|------|
| 1           | 17962          | Plate, Switch                             | 1    |
| 2           | 683-04173      | Frame Assembly, Lower                     | 1    |
| 3           | 683-0612       | Bumper Assembly                           | 1    |
| 4           | 710-0224       | Screw, Hex Wash. Hd. Tapp, 10-16 x .5     | 2    |
| 5           | 710-0726       | Screw, Self-tapping, 5/16-18, 0.75        | 13   |
| 6           | 710-1260A      | Screw, 5/16-18, 0.750                     | 2    |
| 7           | 710-1652       | Screw, Hex Wash. Hd. Tapp, 1/4-20 x 0.625 | 1    |
| 8           | 711-0332       | Pin, Clevis, .50 Dia x .78 Lg             | 2    |
| 9           | 712-04065      | Nut, Nylon Lock, 3/8-16                   | 2    |
| 10          | 710-0607       | Screw, Hex Wash. Tapp, 5/16-18 x .5       | 1    |
| 11          | 714-04023      | Pin, Internal Cotter                      | 2    |
| 12          | 741-04092      | Snap Bushing                              | 1    |
| 13          | 732-04035      | Spring, Compression, 1.28 OD x 3.125 Lg   | 2    |
| 14          | 736-0222       | Washer, Lock, Ext 1/4                     | 2    |
| 16          | 738-04058      | Shoulder Spacer                           | 2    |
| 17          | 738-0143       | Shoulder Screw, 3/8-16                    | 2    |
| 18          | 710-3005       | Hex Screw 3/8-16 x 1.25                   | 2    |
| 19          | 783-0726D      | Bracket, Pivot, Support RH                | 1    |
| 20          | 783-0727C      | Bracket, Pivot, Support LH                | 1    |
| 21          | 783-0728       | Bracket, Pivot, Bar                       | 1    |
| 22          | 783-04330A     | Frame, Upper                              | 1    |
| 23          | 783-04329A     | Bracket, Frame, Seat                      | 1    |
| 24          | 725-04039      | Switch, Interlock                         | 1    |
| 25          | 751-0535       | Fuel Line                                 | 1    |
| 26          | 726-0205       | Clamp, Hose, .490 Dia.                    | 2    |

## FENDER & FUEL TANK



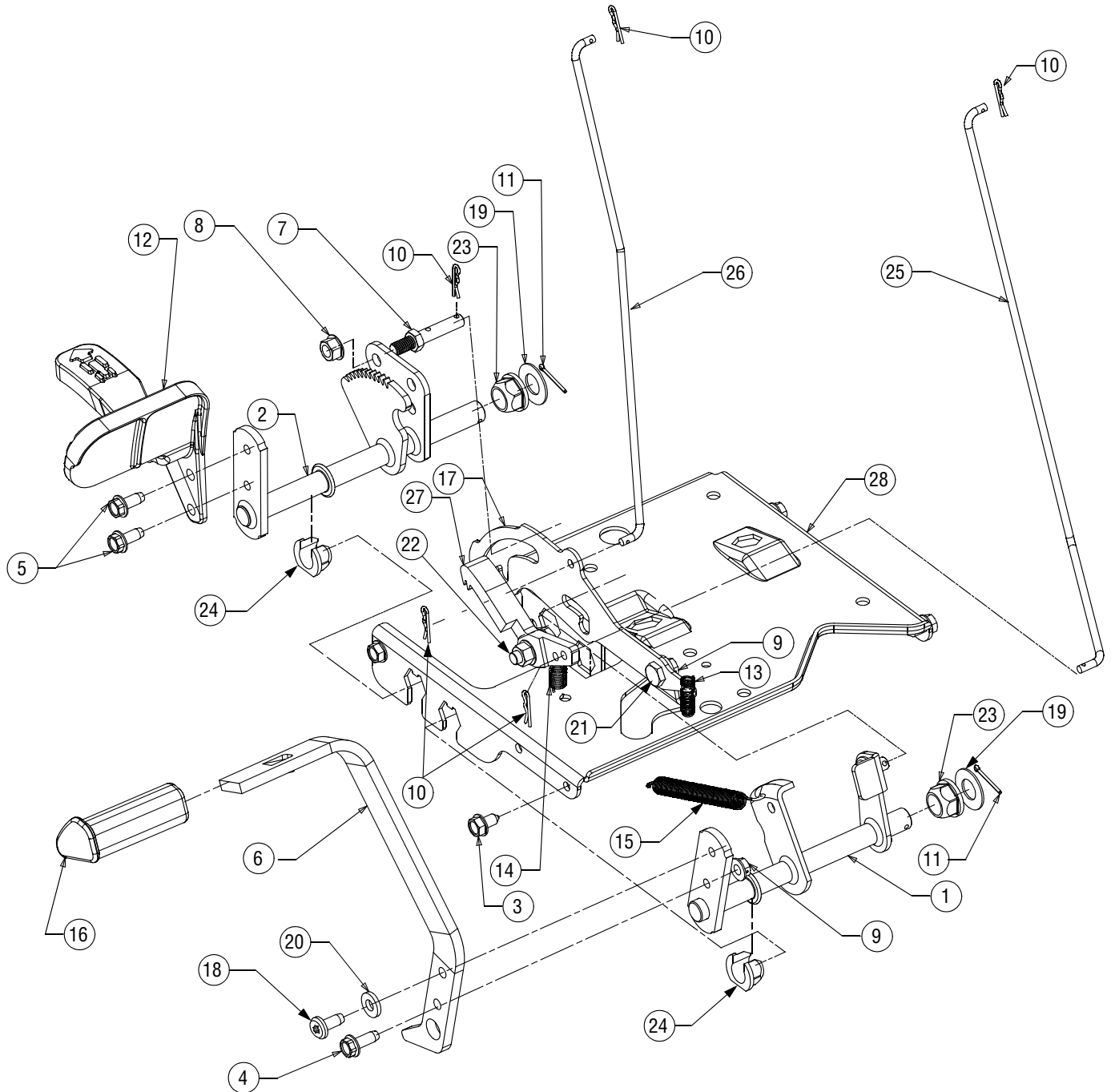
| REF. NO. | PART NUMBER | DESCRIPTION                        | QTY. |
|----------|-------------|------------------------------------|------|
| 1        | 710-0260A   | Bolt, Carriage, 5/16-18 x .62 Lg   | 2    |
| 2        | 710-0726    | Screw, 5/16-12, 0.75               | 8    |
| 3        | 710-0895    | Screw, 1/4-15, 0.750               | 9    |
| 4        | 712-04063   | Nut, Nylon Lock, 5/16-18           | 2    |
| 5        | 731-2616A   | Cover, Fender, RH                  | 1    |
| 6        | 731-2617    | Cover, Fender, LH                  | 1    |
| 7        | 736-3078    | Washer, Flat, .349 x 1.00 x .063   | 2    |
| 8        | 783-0677    | Bracket, Lift, Adjustment          | 1    |
| 9        | 783-1489A   | Bracket, Seat, Mount               | 2    |
| 10       | 783-04398A  | Fender                             | 1    |
| 11       | 726-3046    | Clip, Ratchet, .250 Dia            | 12   |
| 12       | 735-0697A   | Pad, Foot, LH                      | 1    |
| 13       | 735-0698B   | Pad, Foot, RH                      | 1    |
| 14       | 751-0819A   | Tank, Fuel                         | 1    |
| 15       | 751-3124B   | Cap, Fuel                          | 1    |
| 16       | 710-0599    | Screw, Self-tapping, 1/4-20, 0.500 | 2    |

## LIFT ASSEMBLY



| REF. NO. | PART NUMBER | DESCRIPTION                                | QTY. |
|----------|-------------|--|------|
| 1        | 683-04079   | Shaft Assembly, Lift                       | 1    |
| 2        | 711-0332    | Pin, Clevis, .50 Dia x .78 Lg              | 2    |
| 3        | 783-0720A   | Bracket, Deck (46- and 50-inch Decks)      | 1    |
| 4        | 712-04065   | Nut, Nylon Lock, 3/8-16                    | 2    |
| 5        | 712-04063   | Nut, Nylon Lock, 5/16-18, Gr5              | 2    |
| 6        | 712-3083    | Nut, Hex Lock, 1/2-13, Gr8, Nylon          | 2    |
| 7        | 714-0104    | Pin, Cotter, .072 Dia. x 1.13 Lg           | 2    |
| 8        | 714-0111    | Pin, Cotter, 3/32, 1.0                     | 2    |
| 9        | 714-04023   | Pin, Click, .092 x 1.64 Lg                 | 2    |
| 10       | 716-0106A   | E-ring, .625 Dia. Shaft                    | 2    |
| 11       | 720-0311    | Grip, Handle                               | 1    |
| 12       | 732-0874    | Spring, Torsion                            | 1    |
| 18       | 738-0138A   | Screw, Hex Cap, 5/16-18x.620 Gr2           | 2    |
| 19       | 738-0143    | Shoulder Screw, 3/8-16                     | 2    |
| 20       | 741-0225    | Bearing, Hex Flange                        | 2    |
| 22       | 746-0968    | Cable, Lift, 16.16 Lg                      | 2    |
| 23       | 747-04155   | Handle, Lift                               | 1    |
| 24       | 747-1130B   | Rod, Deck .5" Dia. (46- and 50-inch Decks) | 1    |
| 25       | 756-1154    | Pulley, Roller                             | 2    |
| 26       | 783-0678A   | Arm, Lift (46- and 50-inch Decks)          | 2    |
| 27       | 783-04568   | Hanger Bracket, Deck (42-inch Deck)        | 1    |
| 28       | 747-04269   | Rod, Deck, .448" Dia. (42-inch Deck)       | 1    |
| 29       | 783-04494   | RH Arm, Lift (42-inch Deck)                | 1    |
| 30       | 783-04711   | LH Arm, Lift (42-inch Deck)                | 1    |
| 31       | 748-04069   | Pivot Cup                                  | 1    |
| 32       | 712-0206    | Nut, Hex, 1/2-13                           | 2    |
| 33       | 736-3084    | Washer, Flat, .51 x 1.12 x .06             | 2    |
| 34       | 738-04130   | Shoulder Screw, 3/8-16                     | 2    |

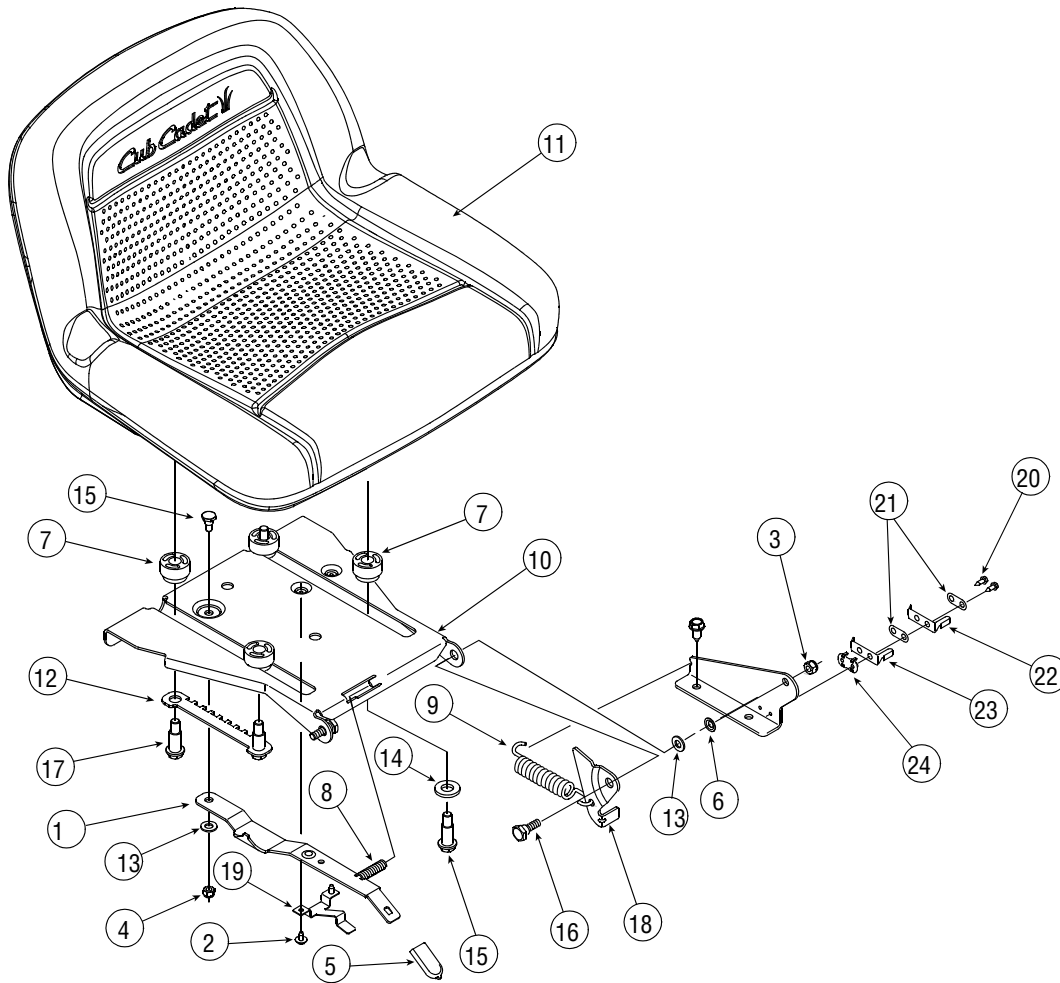
# PEDAL ASSEMBLY



## PEDAL ASSEMBLY

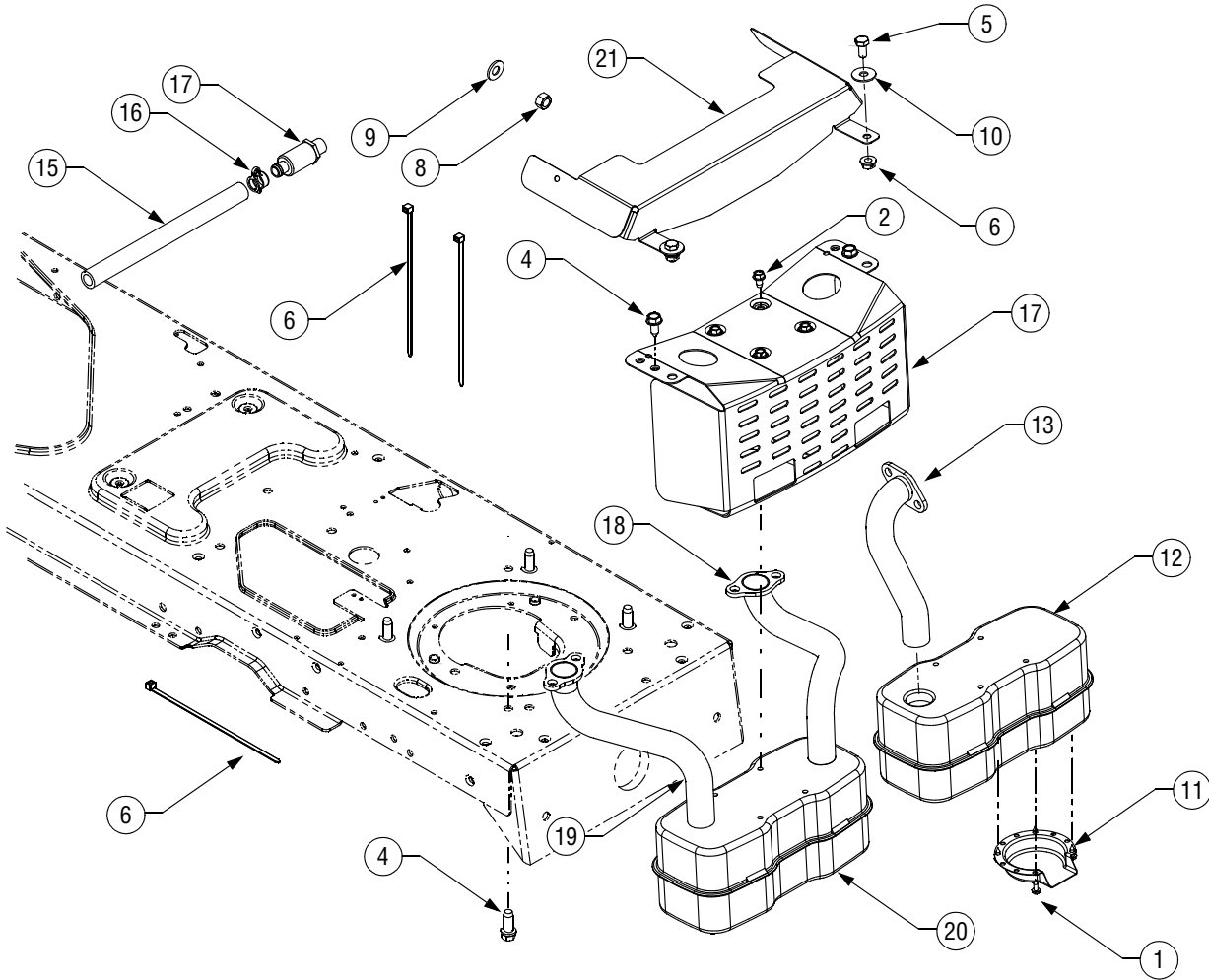
| REF.<br>NO. | PART<br>NUMBER | DESCRIPTION                          | QTY. |
|-------------|----------------|--------------------------------------|------|
| 1           | 647-0031B      | Control Assembly, Brake              | 1    |
| 2           | 647-0049A      | Control Assembly, Hydro              | 1    |
| 3           | 710-0726       | Screw, Self-tapping, 5/16-12, 0.75   | 4    |
| 4           | 710-0650       | Screw, Self-tapping, 5/16-18, 0.875  | 1    |
| 5           | 710-1260A      | Screw, 5/16-18, 0.750                | 2    |
| 6           | 783-0773A      | Pedal, Brake                         | 1    |
| 7           | 711-04159B     | Pin, 3/8-16, 3/8 x 2.68              | 1    |
| 8           | 712-04065      | Nut, Nylon Lock, 3/8-16              | 2    |
| 9           | 712-3004A      | Nut, Flange Lock, 5/16-18, Gr5       | 2    |
| 10          | 714-0104       | Pin, Cotter, .072 Dia. x 1.13 Lg     | 5    |
| 11          | 714-0111       | Pin, Cotter, 3/32, 1.0               | 2    |
| 12          | 719-0584A      | Pedal, Hydro Control                 | 1    |
| 13          | 732-0335       | Spring, Compression, .405 x 1.17     | 1    |
| 14          | 732-0955       | Spring, Extension, .50 OD x 1.41 Lg  | 1    |
| 15          | 732-0963       | Spring, Extension, .50 Dia x 6.37 Lg | 1    |
| 16          | 735-3049       | Pad, Brake, Control                  | 1    |
| 17          | 683-04185      | Bracket, Lockout, Hydro              | 1    |
| 18          | 710-1611B      | Screw, Torx Hd. Tapp. 5/16-18 x .75  | 1    |
| 19          | 736-0187       | Washer, Flat .64 ID x 1.24 x .06     | 2    |
| 20          | 736-3008       | Washer, Flat, .344 x .750 x .120     | 1    |
| 21          | 738-0155       | Shoulder, Screw .437                 | 1    |
| 22          | 738-0380       | Shoulder, Screw 3/8-16               | 1    |
| 23          | 741-0225       | Bearing, Hex Flange                  | 2    |
| 24          | 741-3065B      | Bearing, Hex Flange, .628 ID, Split  | 2    |
| 25          | 747-04096      | Rod, Control, Cruise                 | 1    |
| 26          | 747-04093      | Rod, Control, Brake Lock             | 1    |
| 27          | 748-04039B     | Latch, Cruise                        | 1    |
| 28          | 783-04612      | Bracket, Support, Stearing           | 1    |

## ADJUSTABLE SEAT



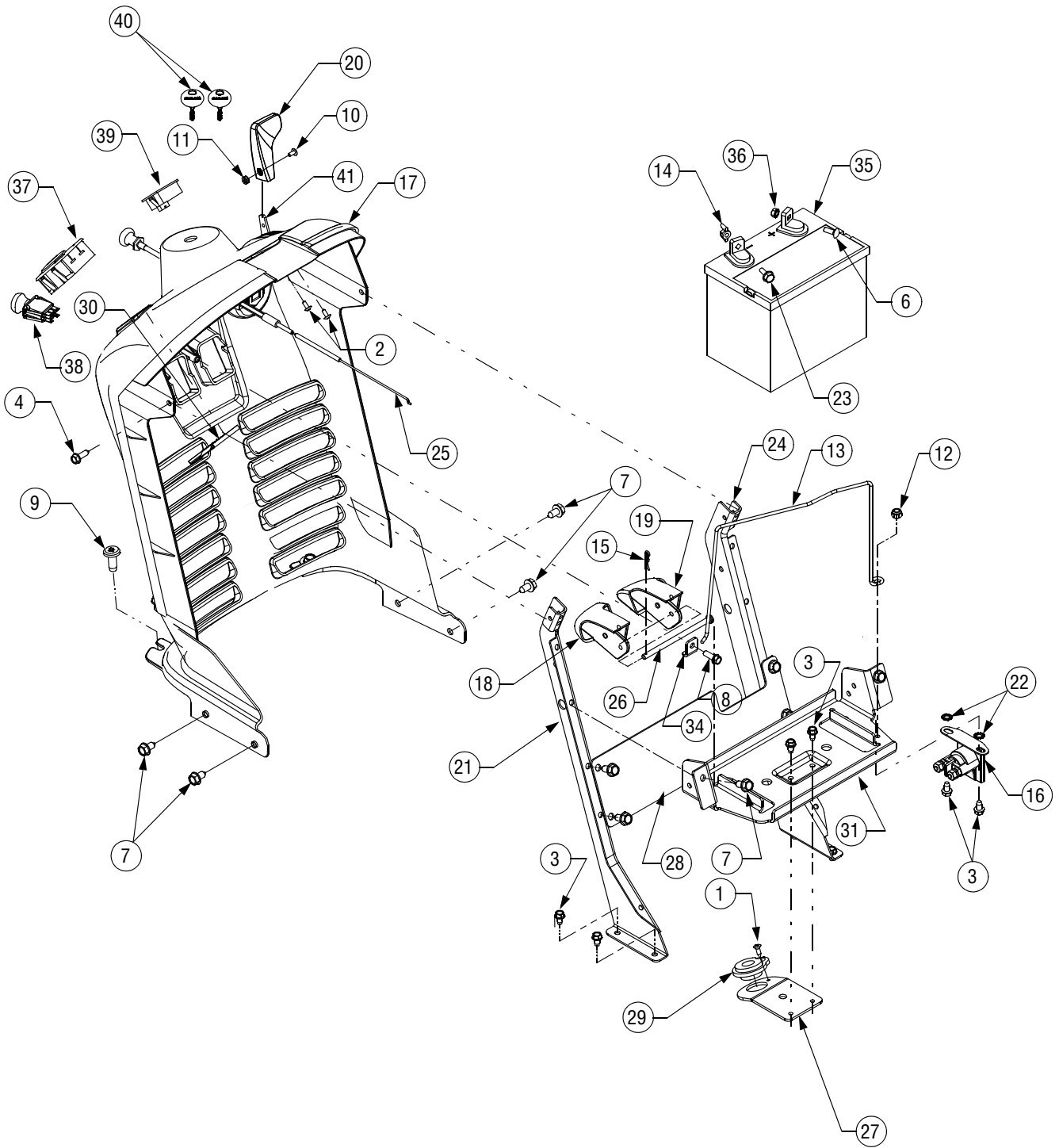
| REF. NO. | PART NUMBER | DESCRIPTION                          | QTY. |
|----------|-------------|--------------------------------------|------|
| 1        | 783-0739A   | Lever, Seat, Adjustment              | 1    |
| 2        | 710-1268    | Screw, #10-16, 0.375                 | 2    |
| 3        | 712-04063   | Nut, Nylon Lock, 5/16-18, Gr5        | 2    |
| 4        | 712-3027    | Nut, Nylon Lock, 1/4-20              | 1    |
| 5        | 720-0433    | Grip, Seat, Adjustment (Yellow)      | 1    |
| 6        | 726-0201    | Nut, Speed, .3125 ID                 | 2    |
| 7        | 731-04074   | Spacer, Seat, Adjustment             | 4    |
| 8        | 732-0499    | Spring, Compression .41 OD x 1.50    | 1    |
| 9        | 732-1184    | Spring, Extension, .80 Dia x 4.6 Lg. | 1    |
| 11       | 757-04004   | Seat                                 | 1    |
| 12       | 783-0753    | Selector, Seat, Adjustment           | 1    |
| 13       | 736-0275    | Washer, Flat, .344 x .688 x .065     | 2    |
| 14       | 736-3019    | Washer, Flat, .531 x 1.062 x .134    | 2    |
| 15       | 738-0137A   | Screw, Shoulder, .340 x .285, 1/4-20 | 1    |
| 16       | 738-0296    | Shoulder, Screw .437 x .286 Lg       | 2    |
| 17       | 738-0966    | Screw, Shoulder, .50 x .925, 3/8-16  | 4    |
| 18       | 783-0209C   | Bracket, Seat Lift                   | 1    |
| 19       | 783-0611    | Stop, Seat, Adjustment               | 1    |
| 20       | 710-0227    | Screw, #8-18 x .50                   | 2    |
| 21       | 726-0279    | Plate, Insulator                     | 2    |
| 22       | 725-1303    | Spring Switch, Inner                 | 1    |
| 23       | 725-1439    | Spring Switch, Outer                 | 1    |
| 24       | 726-0278    | Plate, Insulator Boss                | 1    |

## ENGINE ACCESSORIES



| REF. NO. | PART NUMBER | DESCRIPTION  | QTY. |
|----------|-------------|--|------|
| 1        | 710-0227    | Screw, #8-18, 0.500                                | 4    |
| 2        | 710-0599    | Screw, Hex, 1/4-20, 0.500                          | 4    |
| 3        | 710-0726    | Screw, Hex, 5/16-12 x .75                          | 4    |
| 4        | 710-0654A   | Screw, Hex, 3/8-16 x 1.00 (LT1042 & LT1045)        | 4    |
|          | 710-1315    | Screw, Hex, 3/8-16 x 1.25 (LT1046 & LT1050)        | 4    |
| 5        | 710-3025    | Screw, Hex, 5/16-18 x .625 (LT1046 & LT1050)       | 2    |
| 6        | 725-0157    | Cable, Tie, 3/16 x .05 x 7.4                       | 2    |
| 7        | 712-3004A   | Nut, Flange Lock, 5/16-18 (LT1046 & LT1050)        | 2    |
| 8        | 712-3017    | Hex Nut, 3/8-16 (LT1046 & LT1050)                  | 1    |
| 9        | 736-0300    | Lock Washer, .406 x .875 x .059 (LT1046 & LT1050)  | 1    |
| 10       | 736-3078    | Washer, Flat, .349 x 1.00 x .063 (LT1046 & LT1050) | 2    |
| 11       | 751-0564A   | Deflector, Muffler                                 | 1    |
| 12       | 751-0617A   | Muffler, Single Inlet (LT1042 & LT1045)            | 1    |
| 13       | 751-10047   | Pipe, Exhaust (LT1042 & LT1045)                    | 1    |
| 14       | 751-3140    | Drain, Oil   | 1    |
| 15       | 751-3141    | Extension Hose, Oil Drain                          | 1    |
| 16       | 751-3142    | Cap, Oil Drain                                     | 1    |
| 17       | 783-0615D   | Bracket, Muffler                                   | 1    |
| 18       | 751-0644B   | Pipe, Exhaust, LH (LT1046 & LT1050)                | 1    |
| 19       | 751-0645A   | Pipe, Exhaust, RH (LT1046 & LT1050)                | 1    |
| 20       | 751-0805    | Muffler, Dual Inlet (LT1046 & LT1050)              | 1    |
| 21       | 783-0881    | Shield, Heat (LT1046 & LT1050)                     | 1    |

# DASH PANEL

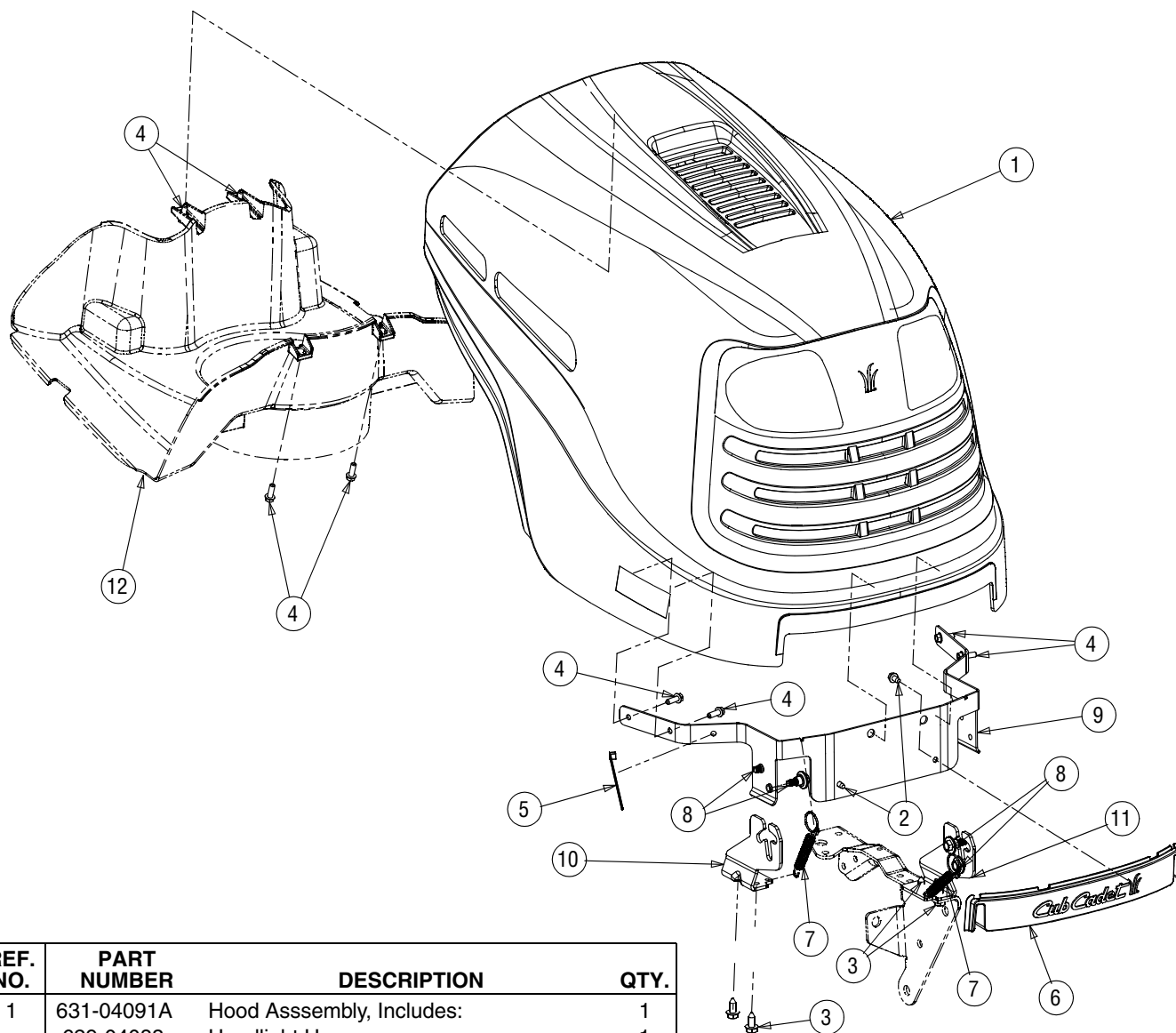




## DASH PANEL

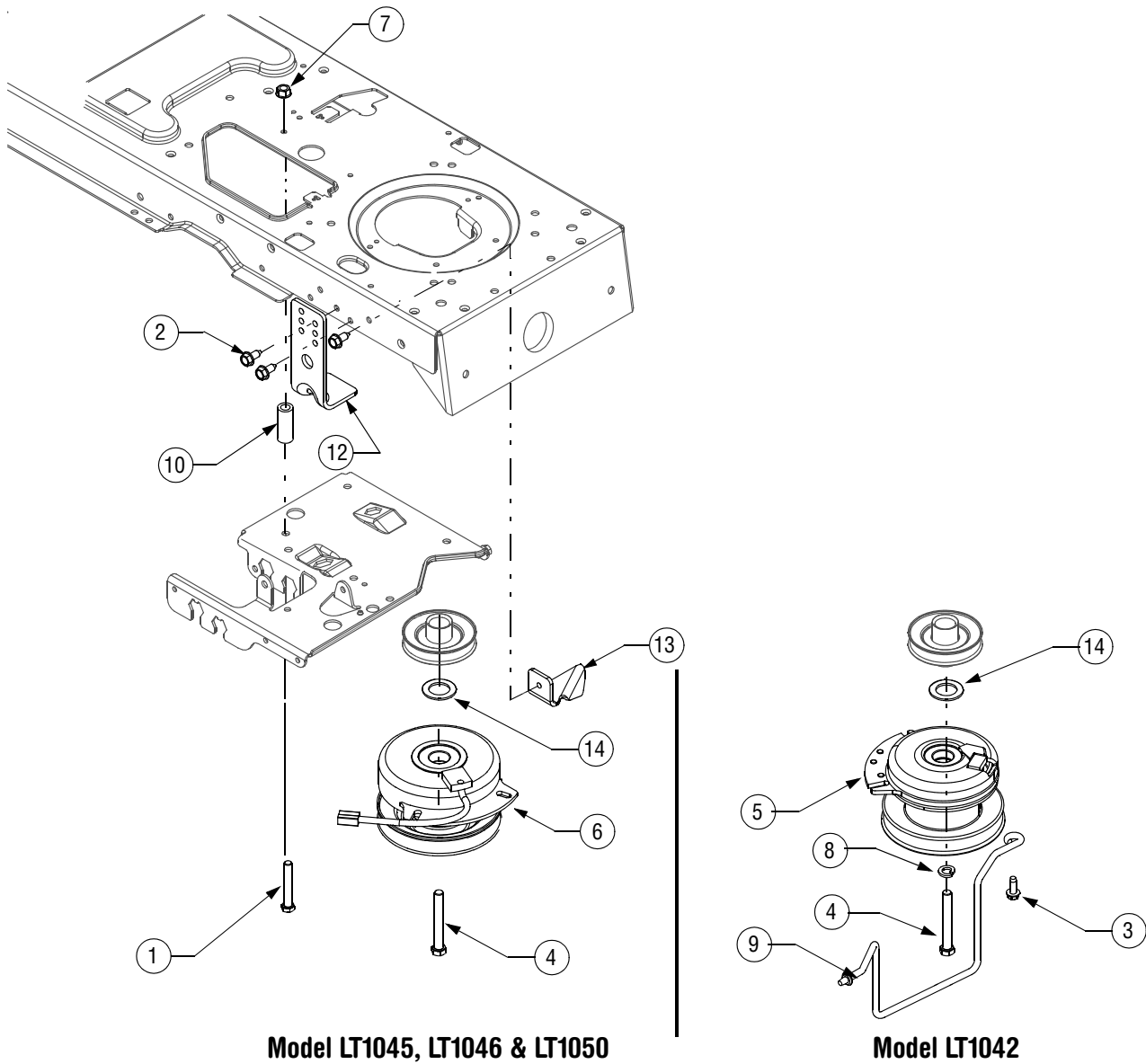
| REF. NO. | PART NUMBER | DESCRIPTION                                 | QTY. |
|----------|-------------|---|------|
| 1        | 710-0837    | Screw, #10-16 x .625                        | 1    |
| 2        | 710-0192    | Screw, #10-24 x .375                        | 2    |
| 3        | 710-0599    | Screw, Self-tapping, 1/4-20, 0.500          | 6    |
| 4        | 710-0642    | Screw, Hex. 1/4-20 x .75                    | 2    |
| 5        | 710-0650    | Screw, Hex, 5/16-18, .875 Gr5               | 4    |
| 6        | 710-0703    | Screw, Carriage, 1/4-20, .75,               | 1    |
| 7        | 710-0726    | Screw, Hex, 5/16-12 x .75                   | 6    |
| 8        | 710-0895    | Screw, 1/4-15, 0.750                        | 1    |
| 9        | 710-1611B   | Screw, Torx Hd. Tapp. 5/16-18 x .75         | 2    |
| 10       | 710-3217    | Screw, Machine, #8-32, 0.375, Trus Phillips | 1    |
| 11       | 712-0142    | Nut, 8-32                                   | 1    |
| 12       | 712-0324    | Nut, Nylon Lock, 1/4-20                     | 1    |
| 13       | 747-04215   | Strap, Battery                              | 1    |
| 14       | 712-3087    | Nut, Wing, 1/4-20                           | 1    |
| 15       | 714-0104    | Internal Cotter Pin, .072 x 1.13            | 1    |
| 16       | 725-1426    | Solenoid, 12V, 100 Amp                      | 1    |
| 17       | 731-05004   | Dash  | 1    |
| 18       | 731-04294A  | Lever, Dash, Cruise                         | 1    |
| 19       | 731-04293A  | Lever, Dash, Brake                          | 1    |
| 20       | 731-3161    | Knob, Throttle Control                      | 1    |
| 21       | 783-04285B  | Dash Support, RH                            | 1    |
| 22       | 736-0222    | Washer, External Lock, 1/4                  | 2    |
| 23       | 738-1132    | Screw, Shoulder, 1/4-20, .25 x .15          | 1    |
| 24       | 783-04323B  | Dash Support, LH                            | 1    |
| 25       | 746-04121   | Control, Choke, 24.0 (LT1042 & LT1045)      | 1    |
|          | 746-1085A   | Control, Choke, 37.5 (LT1046 & LT1050)      | 1    |
| 26       | 747-1323A   | Rod, .250 Dia x 4.25 Lg.                    | 1    |
| 27       | 783-04475   | Bracket, Steering Support                   | 1    |
| 28       | 783-04506A  | Plate, Dash Support                         | 1    |
| 29       | 741-0587    | Steering Colum Bearing                      | 1    |
| 30       | 783-0462    | Bracket, PTO Switch Retainer                | 1    |
| 31       | 783-1447A   | Bracket, Support, Battery                   | 1    |
| 34       | 783-1499    | Bracket, Rod, Dash                          | 1    |
| 35       | 725-1737A   | Battery, 190 CCA (LT1042 & LT1045)          | 1    |
|          | 725-1750A   | Battery, 235 CCA (LT1046 & LT1050)          | 1    |
| 36       | 712-0324    | Nut, Sems, 1/4-20                           | 1    |
| 37       | 725-04227   | Switch Module, Ignition                     | 1    |
| 38       | 725-04258   | Switch, PTO, Yellow (LT1042 & LT1045)       | 1    |
|          | 725-04175   | Switch, PTO, Yellow (LT1046 & LT1050)       | 1    |
| 39       | 725-04022   | Monitor, Systems Indicator / Hour Meter     | 1    |
| 40       | 725-2054    | Ignition Key, Plastic                       | 2    |
| 41       | 746-1087    | Control, Throttle, 27.4 (LT1042 & LT1045)   | 1    |
|          | 746-1100    | Control, Throttle, 38.0 (LT1046 & LT1050)   | 1    |
| —        | 629-04106   | Wire Harness (LT1042 & LT1045 )             | 1    |
| —        | 629-04136   | Wire Harness (T1046 & LT1050)               | 1    |

## HOOD & GRILLE



| REF. NO. | PART NUMBER | DESCRIPTION                           | QTY. |
|----------|-------------|---------------------------------------|------|
| 1        | 631-04091A  | Hood Assembly, Includes:              | 1    |
|          | 629-04083   | Headlight Harness                     | 1    |
|          | 725-0963    | Minirature Lamp, 12 V                 | 2    |
|          | 725-1649    | Lamp Socket                           | 2    |
|          | 731-04567A  | Hood                                  | 1    |
|          | 731-04577   | Headlight Lens                        | 1    |
|          | 777X41562   | Headlight Lens Reflector, RH          | 1    |
|          | 777X41563   | Headlight Lens Reflector, RH          | 1    |
| 2        | 710-0599    | Screw, Hex Wash, Hd, Tapp 1/4-20 x .5 | 2    |
| 3        | 710-0726    | Self-tapping Screw, 5/16-18 x.625     | 4    |
| 4        | 710-0895    | Screw, 1/4-15 x .75                   | 8    |
| 5        | 725-0157    | Cable Tie                             | 1    |
| 6        | 731-04687A  | Cover, Front Hood                     | 1    |
| 7        | 732-04189B  | Spring, .46 x 4.12                    | 2    |
| 8        | 738-04091   | Shoulder Screw, .43 x .29 x 5/16-18   | 4    |
| 9        | 783-04428   | Pivot Bracket                         | 1    |
| 10       | 783-04464B  | Pivot Bracket, Hood, RH               | 1    |
| 11       | 783-04465A  | Pivot Bracket, Hood, LH               | 1    |
| 12       | 731-04569   | Hood Plenum (LT1042 & LT1045)         | 1    |
|          | 731-04579   | Hood Plenum (LT1046 & LT1050)         | 1    |

## POWER TAKE-OFF (PTO) SYSTEM

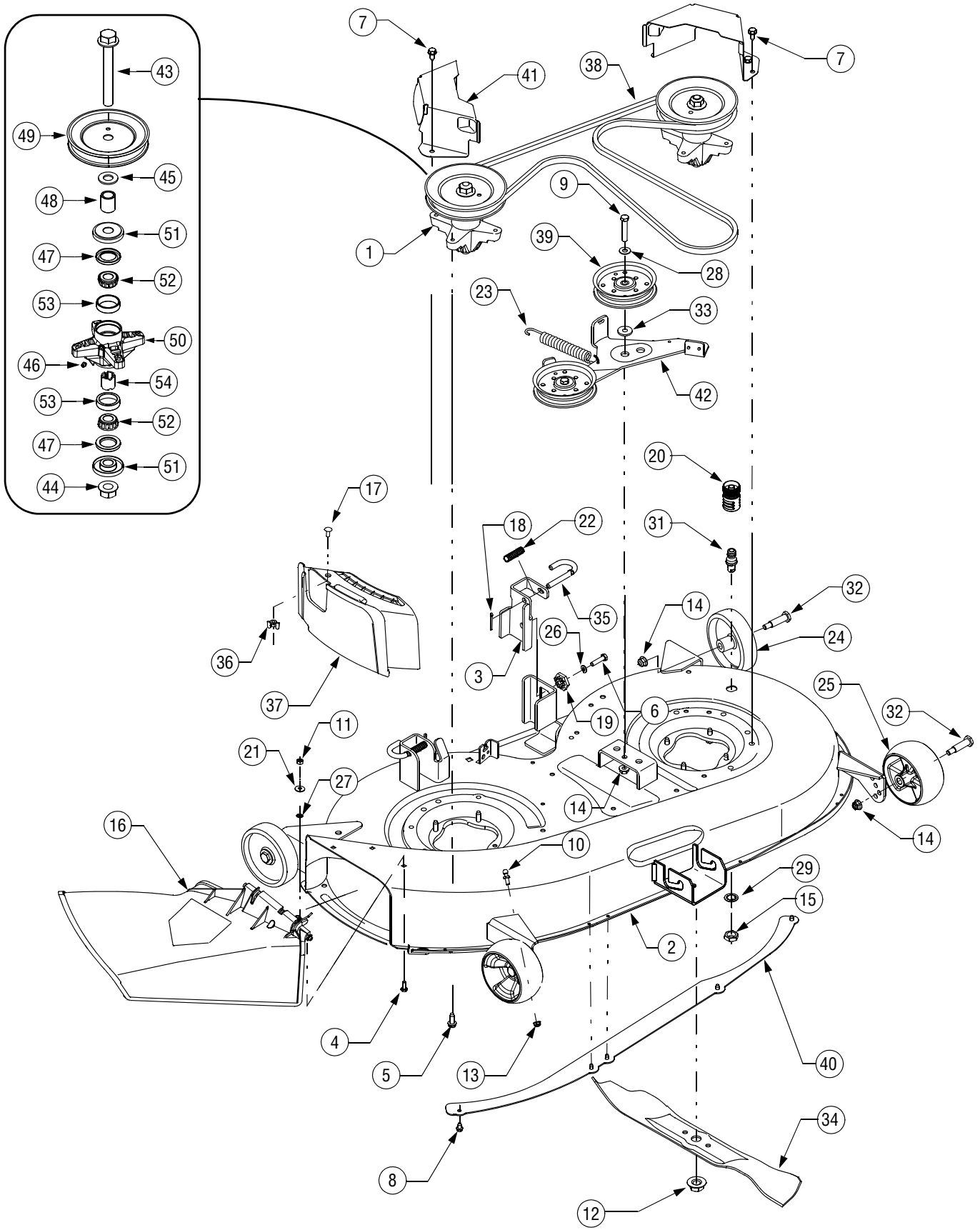


**Model LT1045, LT1046 & LT1050**

**Model LT1042**

| REF. NO. | PART NUMBER | DESCRIPTION                               | QTY. |
|----------|-------------|---|------|
| 1        | 710-0859    | Screw, 3/8-16 x 2.5 GR5                   | 1    |
| 2        | 710-0726    | Screw, 5/16-12, .75                       | 3    |
| 3        | 710-0650    | Screw, 5/16-18, .875                      | 1    |
| 4        | 710-3157    | Screw, Hex Cap, 7/16-20 x 3.25 GR5        | 1    |
| 5        | 717-04163   | Clutch, PTO (Model 1042)                  | 1    |
| 6        | 717-04174   | Clutch, PTO (Model 1045, LT1046 & LT1050) | 1    |
| 7        | 712-04065   | Nut, Hx. Nylon Lock, 3/8-16               | 1    |
| 8        | 736-0171    | Washer, Lock, 7/16, Regular Duty          | 1    |
| 9        | 747-04307   | Rod, Belt Keeper                          | 1    |
| 10       | 748-0415B   | Spacer, 3/8 x 1.54                        | 1    |
| 11       | 736-0277    | Washer, Flat, 1.031 x 1.62 x .095         | 1    |
| 12       | 783-04467   | Deck Stop                                 | 1    |
| 13       | 783-04419A  | Bracket, Clutch                           | 1    |
| 14       | 736-0277    | Washer, Flat, 1.031 x 1.62 x .095         | 1    |

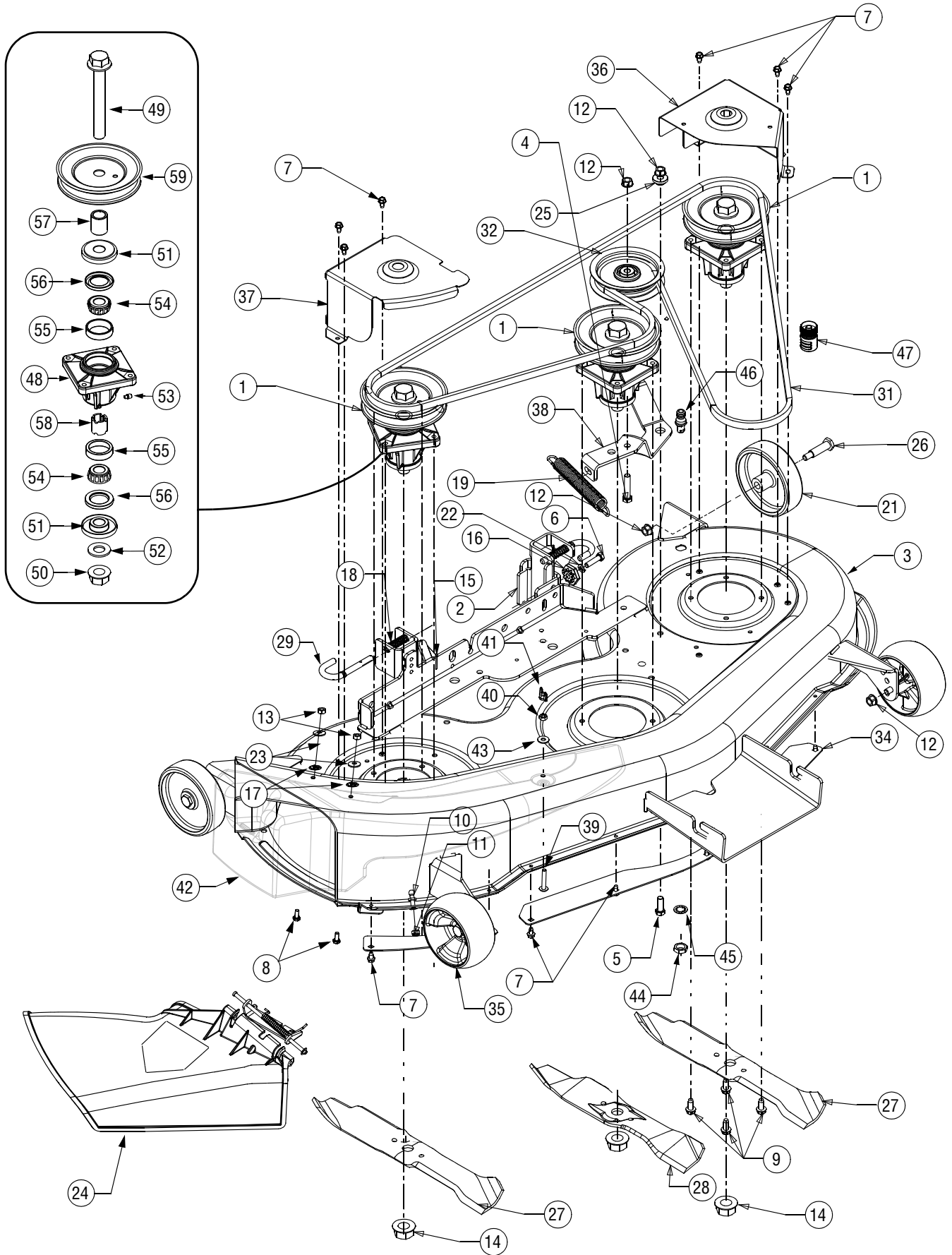
# 42-INCH MOWER DECK



## 42-INCH MOWER DECK

| REF. NO. | PART NUMBER | DESCRIPTION                           | QTY. |
|----------|-------------|---------------------------------------|------|
| 1        | 618-04124A  | Spindle Assembly                      | 2    |
| 2        | 683-04171   | Deck Weldment, 42 inch                | 1    |
| 3        | 683-0254B   | Bracket, Deck Hanger LH               | 1    |
| 4        | 710-0751    | Screw, Hex Cap, 1/4-20, .620, Gr5     | 2    |
| 5        | 710-0650    | Screw, Self-tapping, 5/16-18 x .875   | 8    |
| 6        | 710-0817    | Screw, Self-tapping, 5/16-18 x 1.25   | 1    |
| 7        | 710-0726    | Screw, Self-tapping, 5/16-12 x .75    | 4    |
| 8        | 710-0599    | Screw, Self-tapping, 1/4-20 x .50     | 5    |
| 9        | 710-3096    | Screw, 3/8-16 x 2.0                   | 2    |
| 10       | 711-04069   | Pin, Grasscatcher                     | 1    |
| 11       | 712-3006    | Nut, Hex, 1/4-20, Gr5                 | 2    |
| 12       | 712-0417A   | Nut, Flange, 5/8-18                   | 2    |
| 13       | 712-04064   | Nut, Hx. Nylon Lock, 1/4-20           | 1    |
| 14       | 712-04065   | Nut, Hx. Nylon Lock, 3/8-16           | 6    |
| 15       | 712-0641    | Nut, Hex, M16-1.5                     | 1    |
| 16       | 731-1032B   | Chute Assembly, Side Discharge        | 1    |
| 17       | 710-0134    | Carriage Screw, 1/4-20, .62           | 1    |
| 18       | 714-0470    | Pin, Cotter, 1/8 x 1.25               | 2    |
| 19       | 717-04074   | Adjustment Gear, Deck                 | 1    |
| 20       | 721-04041   | Coupler, Hose                         | 1    |
| 21       | 726-0233    | Nut, Push, .25 ID x .50 OD            | 2    |
| 22       | 732-0306A   | Spring, Extension, .531 x 1.75        | 1    |
| 23       | 732-04247   | Spring, Extension .850 x 6.415        | 1    |
| 24       | 734-0973    | Wheel Deck 5.0 x 1.38                 | 2    |
| 25       | 734-04039   | Wheel Deck 5.0 x 1.38                 | 2    |
| 26       | 736-0119    | Washer, Lock, 5/16, Regular Duty      | 1    |
| 27       | 736-0270    | Washer, Belleville, .265 x .75 x .062 | 2    |
| 28       | 736-0267    | Washer, Flat, .385 x .87 x .06        | 2    |
| 29       | 736-0760    | Washer, Lock                          | 1    |
| 30       | 736-3039    | Washer, Flat, .406 x 1.5 x .105       | 1    |
| 31       | 737-04003B  | Port, Water                           | 1    |
| 34       | 742-04101   | Blade, 21.20 Lg, 3-in-1               | 2    |
| 35       | 747-1116    | Rod, Handle, Deck Release .375 Dia    | 2    |
| 36       | 712-3087    | Wing Nut, 1/4-20                      | 1    |
| 37       | 731-2363    | Baffle, Mulch                         | 1    |
| 38       | 754-04060   | Belt, V-Type                          | 1    |
| 39       | 756-04129   | Pulley, Idler, 4.25 Dia.              | 2    |
| 40       | 783-1146A   | Skirt, Deck                           | 1    |
| 41       | 783-04327   | Cover, Belt                           | 2    |
| 42       | 783-04491   | Idler Bracket, Pivot                  | 1    |
| 43       | 710-04226   | Bolt, Spindle, 3/4-16, 5.85           | 2    |
| 44       | 712-3078    | Nut, Flange Lock, 3/4-16              | 2    |
| 45       | 736-0315    | Washer, Flat, .760 x 1.5 x .120       | 2    |
| 46       | 737-3000    | Lube Fitting, 3/16                    | 2    |
| 47       | 748-3065    | Spacer, Spindle                       | 4    |
| 48       | 750-1000    | Spacer, 1.322                         | 2    |
| 49       | 756-04086   | Pulley, 6.3 Dia.                      | 2    |
| 50       | 719-04110   | Housing, Spindle                      | 2    |
| 51       | 721-3018A   | Seal, Oil                             | 4    |
| 52       | 741-04129   | Cone Bearing, Tapered Roller, .750    | 4    |
| 53       | 741-04130   | Cone Cup, Tapered Roller, .750        | 4    |
| 54       | 750-3190A   | Spacer, Bearing, .780 x 10 x 1.0425   | 2    |

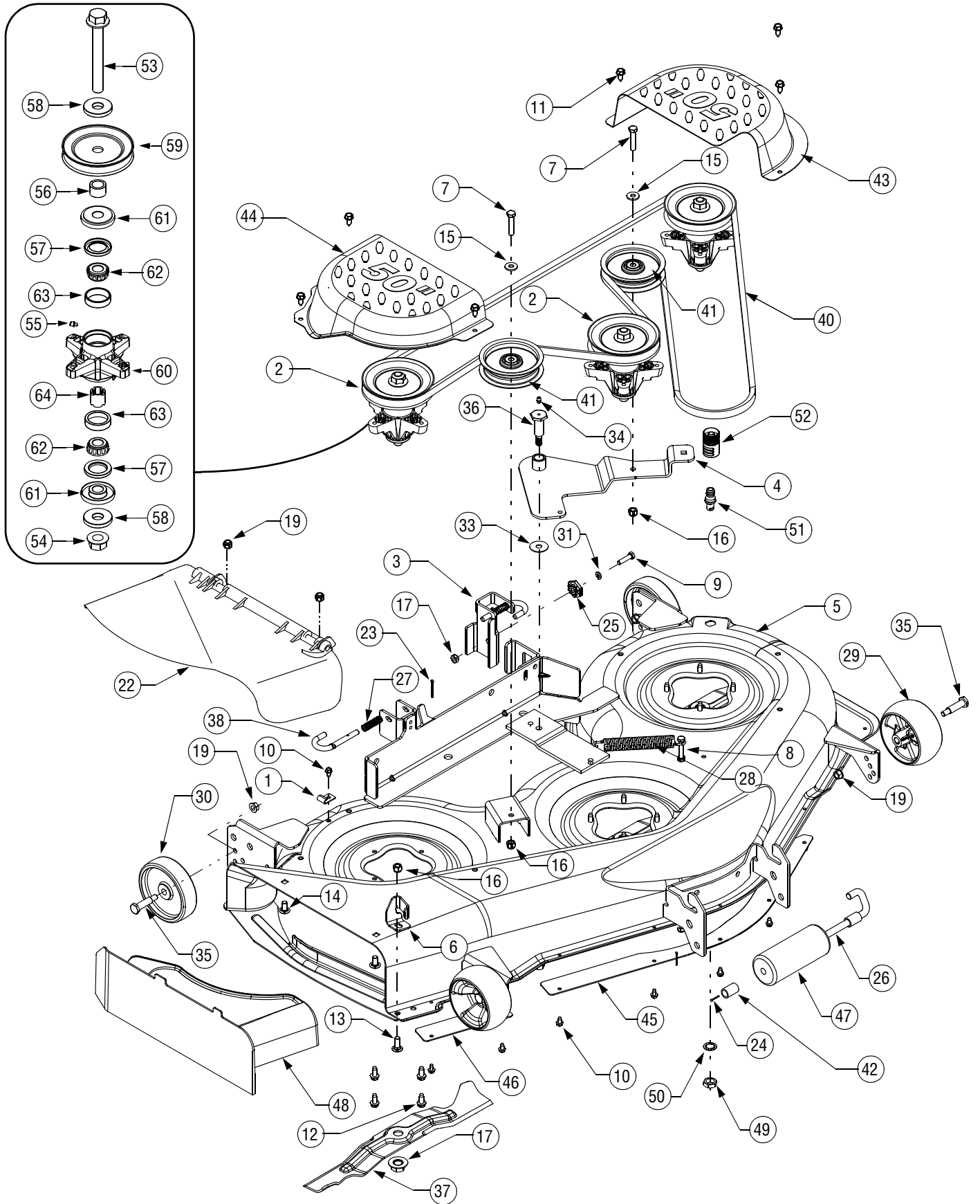
# 46-INCH MOWER DECK



## 46-INCH MOWER DECK

| REF. NO. | PART NUMBER | DESCRIPTION                            | QTY. |
|----------|-------------|--|------|
| 1        | 618-04123B  | Spindle Assembly                       | 3    |
| 2        | 683-0254B   | Bracket Assembly, Deck Hanger          | 1    |
| 3        | 683-04172   | Deck Weldment, 46-inch                 | 1    |
| 4        | 710-0347    | Screw, 3/8-16, 1.75                    | 1    |
| 5        | 710-0514    | Hex Cap Screw, 3/8-16, 1.00, Gr5, Std  | 1    |
| 6        | 710-0528    | Screw, 5/16-18, 1.25, Gr5              | 1    |
| 7        | 710-0599    | Screw, Hx. Wash. Hd. Tapp, 1/4-20, 0.5 | 13   |
| 8        | 710-0751    | Screw, Hex Cap, 1/4-20, .620, Gr5      | 2    |
| 9        | 710-1260A   | Self-tapping Screw, 5/16-18 x .75      | 12   |
| 10       | 711-04069   | Pin, Grasscatcher                      | 1    |
| 11       | 712-04064   | Nut, Nylon Lock, 1/4-20                | 1    |
| 12       | 712-0431    | Flange Lock Nut, 3/8-16                | 6    |
| 13       | 712-3006    | Nut, Hex, 1/4-20, Gr5                  | 2    |
| 14       | 712-3078    | Nut, Hx. Flange, 3/4-16                | 3    |
| 15       | 714-0411    | Cotter Pin, 1.0                        | 2    |
| 16       | 717-04074   | Deck Adjustment Gear                   | 1    |
| 17       | 726-0233    | Push Nut                               | 2    |
| 18       | 732-0306A   | Compression Spring, 1.75               | 2    |
| 19       | 732-0594A   | Extension Spring, 7.33                 | 1    |
| 20       | 734-04039   | Deck Wheel, 5.0                        | 2    |
| 21       | 734-0973    | Deck Wheel,                            | 2    |
| 22       | 736-0119    | Washer, Lock, 5/16, Regular Duty       | 1    |
| 23       | 736-0270    | Washer, Belleville, .265 x .75 x .062  | 2    |
| 24       | 731-1032B   | Chute Assembly, Side Discharge         | 1    |
| 25       | 738-0372B   | Spacer, Shoulder, 1.00 x .38 x .38     | 1    |
| 26       | 738-0373    | Shoulder Screw                         | 1    |
| 27       | 742-04015   | Blade, 16.28                           | 2    |
| 28       | 742-04016   | Blade, 14.88                           | 1    |
| 29       | 747-1116    | Rod, Handle, Deck Release .375 Dia     | 2    |
| 31       | 754-04033   | Belt, V-Type                           | 1    |
| 32       | 756-04129   | Idler Pulley, 4.25                     | 1    |
| 34       | 783-0141    | Deck Skirt, Center                     | 1    |
| 35       | 783-0142    | Deck Skirt, RH                         | 1    |
| 36       | 783-0747B   | Belt Cover, LH                         | 1    |
| 37       | 783-0805C   | Belt Cover, RH                         | 1    |
| 38       | 783-1421A   | Bracket, Idler                         | 1    |
| 39       | 710-0578    | Screw, 1/4-20, 1.50                    | 1    |
| 40       | 712-3006    | Nut, Hex, 1/4-20, Gr5                  | 1    |
| 41       | 712-3087    | Nut, Wing, 1/4-20                      | 1    |
| 42       | 731-1636    | Mulch Plug                             | 1    |
| 43       | 736-0173    | Washer, Flat, .28 X.74 X .063          | 1    |
| 44       | 712-0641    | Nut, Hex, M16-1.5                      | 2    |
| 45       | 736-0760    | Washer, Lock                           | 2    |
| 46       | 737-04003B  | Port, Water                            | 2    |
| 47       | 721-04041   | Coupler, Hose                          | 1    |
| 48       | 618-04087   | Housing, Spindle                       | 3    |
| 49       | 710-04226   | Bolt, Spindle, 3/4-16, 5.85            | 3    |
| 50       | 712-3078    | Nut, Flange Lock, 3/4-16               | 3    |
| 51       | 721-3018A   | Seal, Oil                              | 6    |
| 52       | 736-0315    | Washer, Flat, .760 x 1.5 x .120        | 3    |
| 53       | 737-3000    | Lube Fitting, 3/16                     | 3    |
| 54       | 741-04129   | Cone Bearing, Tapered Roller, .750     | 6    |
| 55       | 741-04130   | Cone Cup, Tapered Roller, .750         | 6    |
| 56       | 748-3065    | Spacer, Spindle                        | 6    |
| 57       | 750-1000    | Spacer, 1.322                          | 3    |
| 58       | 750-3190A   | Spacer, Bearing, .780 x 10 x 1.0425    | 2    |
| 59       | 756-04085A  | Pulley, 6.3 Dia.                       | 3    |

# 50-INCH MOWER DECK

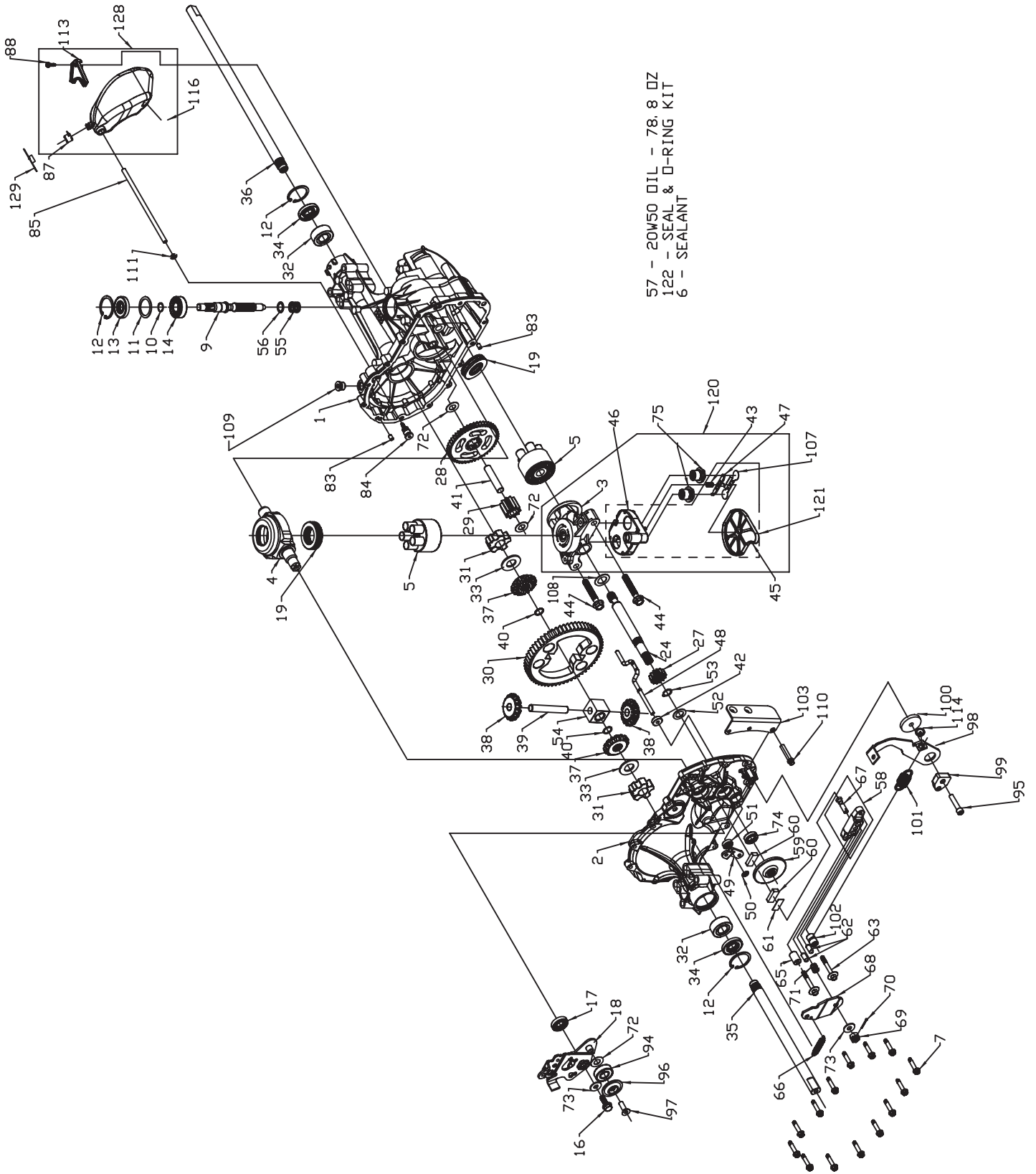




## 50-INCH MOWER DECK

| REF. NO. | PART NUMBER | DESCRIPTION                      | QTY. | REF. NO. | PART NUMBER | DESCRIPTION                      | QTY. |
|----------|-------------|----------------------------------|------|----------|-------------|----------------------------------|------|
| 1        | 16606       | Hook, Retainer                   | 1    | 33       | 736-0406    | Washer, Flat, .442 x 1.38 x .060 | 1    |
| 2        | 618-04129A  | Spindle Assembly                 | 3    | 34       | 737-3000    | Fitting, Lube, 3/16              | 1    |
| 3        | 683-0254B   | Hanger Bracket Assembly          | 1    | 35       | 738-0373    | Shoulder Screw                   | 1    |
| 4        | 683-04098   | Idler Bracket                    | 1    | 36       | 738-3005    | Screw, Shoulder, .68 x 1.59      | 1    |
| 5        | 683-04075   | Weldment, 50-inch Deck           | 1    | 37       | 742-04068A  | Blade                            | 3    |
| 6        | 703-3279    | Chute Stop                       | 1    | 38       | 747-1116    | Rod, Deck Release .375 Dia       | 2    |
| 7        | 710-0347    | Screw, 3/8-16, 1.75              | 2    | 39       | 750-0151    | Spacer, .550 x .755 x 1.1        | 2    |
| 8        | 710-3103    | Screw, 5/16-18 x 2.00            | 1    | 40       | 754-04048   | Belt, V-Type, Aramid             | 1    |
| 9        | 710-0528    | Screw, 5/16-18, 1.25, Gr5        | 8    | 41       | 756-04129   | Pulley, Idler, 3.5"              | 2    |
| 10       | 710-0599    | Screw, 1/4-20 x 0.5              | 6    | 42       | 750-0151    | Spacer, 1.1"                     | 2    |
| 11       | 710-0726    | Screw, 5/16-18 x.625             | 1    | 43       | 783-04399   | LH Belt Cover                    | 1    |
| 12       | 710-1260A   | Screw, 5/16-18 x .75             | 12   | 44       | 783-04400   | RH Belt Cover                    | 1    |
| 13       | 710-3168    | Screw, Carriage, 3/8-16 x 1.0    | 1    | 45       | 783-04414   | Deck Skirt, Center               | 1    |
| 14       | 710-3178    | Screw, Carriage, 3/8-16 x .75    | 1    | 46       | 783-04415   | Deck Skirt, RH                   | 1    |
| 15       | 736-0300    | Washer, Flat, .406 x .875 x .059 | 2    | 47       | 731-3005    | Roller                           | 1    |
| 16       | 712-04065   | Nut, Nylon Lock, 3/8-16          | 1    | 48       | 731-04651   | Baffle, Mulch                    | 1    |
| 17       | 712-0417A   | Nut, Hex, Flange, 5/8-18         | 2    | 49       | 712-0641    | Nut, Hex, M16-1.5                | 2    |
| 18       | 712-04063   | Nut, Nylon Lock, 5/16-18         | 1    | 50       | 736-0760    | Washer, Lock                     | 2    |
| 19       | 712-0431    | Nut, Flange Lock, 3/8-16         | 5    | 51       | 737-04003B  | Port, Water                      | 2    |
| 20       | 712-3010    | Nut, Hex, 5/16-18, Gr5           | 4    | 52       | 721-04041   | Coupler, Hose                    | 1    |
| 21       | 712-3019    | Nut, 7/16-14                     | 2    | 53       | 710-04226   | Bolt, Spindle, 3/4-16, 5.85      | 3    |
| 22       | 631-04070   | Chute Assembly, Side Discharge   | 1    | 54       | 712-3078    | Nut, Flange Lock, 3/4-16         | 3    |
| 23       | 714-0470    | Pin, Cotter, 1/8 x 1.25          | 1    | 55       | 737-3000    | Lube Fitting, 3/16               | 3    |
| 24       | 714-3004    | Pin, Cotter, 3/32 x 1.25         | 2    | 56       | 748-0433    | Spacer, .730                     | 3    |
| 25       | 717-04074   | Deck Adjustment Gear             | 1    | 57       | 748-3065    | Spacer, Spindle                  | 6    |
| 26       | 711-1737    | Roller Pin                       | 1    | 58       | 748-3101    | Spacer, Blade                    | 6    |
| 27       | 732-0306A   | Spring, Compression, .531 x 1.75 | 1    | 59       | 756-3096    | Pulley                           | 3    |
| 28       | 732-0459B   | Spring, Extension, .94 x 6.74    | 2    | 60       | 719-04110   | Housing, Spindle                 | 3    |
| 29       | 734-04039   | Deck Wheel, 5.0                  | 2    | 61       | 721-3018A   | Seal, Oil                        | 6    |
| 30       | 734-0973    | Deck Wheel, 5.0                  | 2    | 62       | 741-04129   | Cone Bearing, Tapered Roller,    | 6    |
| 31       | 736-0119    | Washer, Lock, 5/16               | 1    | 63       | 741-04130   | Cone Cup, Tapered Roller, .750   | 6    |
| 32       | 736-0407    | Washer, Bell, .45 x 1.0 x .062   | 1    | 64       | 750-3190A   | Spacer, Bearing, .780 x 10 x     | 2    |

# TRANSMISSION



# TRANSMISSION

| ITEM | PART NUMBER | QTY     | DESCRIPTION                                  |
|------|-------------|---------|--|
| 1    | 70467       | 1       | MAIN HOUSING, ASSEMBLY                       |
|      |             | 1       | MAIN HOUSING, MACHINED                       |
|      |             | 1       | BUSHING .865 X .985 X .790                   |
| 2    | 70483       | 1       | SIDE HOUSING, ASSEMBLY                       |
|      |             | 1       | SIDE HOUSING, MACHINED                       |
|      |             | 1       | BUSHING .865 X .985 X .790                   |
|      |             | 1       | BUSHING .624 X .719 X .562                   |
| 3    | 70477       | 1       | CENTER SECTION, ASSEMBLY                     |
|      |             | 1       | CENTER SECTION, MACHINED                     |
|      |             | 1       | BUSHING .707 X .788 X .591                   |
| 4    | 51048       | 1       | SWASHPLATE, TRUNNION MACHINED                |
| 5    | 70331       | 2       | BLOCK - ASSEMBLY                             |
|      |             | 1       | BLOCK - CYLINDER                             |
|      |             | 5       | PISTON                                       |
|      |             | 5       | SPRING, COMPRESSION                          |
|      |             | 5       | WASHER - THRUST                              |
| 6    | 50928       | 10.5 0Z | SEALANT                                      |
| 7    | 51190       | 14      | HEX FLANGE SCREW 1/4-20 X 1.25               |
| 9    | 51062       | 1       | SHAFT, INPUT                                 |
| 10   | 2000022     | 1       | RING - RETAINING                             |
| 11   | 50951       | 1       | SPACER                                       |
| 12   | 50329       | 3       | RING - RETAINING                             |
| 13   | 51161       | 1       | SEAL, LIP .67 X 1.58 X .276                  |
| 14   | 50315       | 1       | BALL BRG 17MM ID X 40MM OD X 12MM            |
| 16   | 51064       | 1       | BOLT, HEX FLANGE HEAD 5/16-24 X .94 (PATCH)  |
| 17   | 51140       | 1       | LIP SEAL 18 X 32 X 7                         |
| 18   | 51119       | 1       | ARM, CONTROL                                 |
| 19   | 50551       | 2       | BEARING, 30X52X13 THRUST                     |
| 24   | 50966       | 1       | SHAFT, MOTOR                                 |
| 27   | 51130       | 1       | GEAR - PINNION, 13T                          |
| 28   | 51129       | 1       | 10T/48T GEAR                                 |
| 29   | 51043       | 1       | GEAR, 10T JACKSHAFT                          |
| 30   | 51044       | 1       | 60T BULL GEAR                                |
| 31   | 51088       | 2       | SLEEVE BEARING .75 X 1.750 X .625            |
| 32   | 51089       | 2       | SLEEVE BEARING (OUTBOARD) .75 X 1.575 X .625 |
| 33   | 44875       | 2       | WASHER, 3/4 ID X 1-1/2 OD X .13 THK          |
| 34   | 51066       | 2       | LIP SEAL AXLE SEAL                           |
| 35   | 51079       | 1       | SHAFT, AXLE .75 X 11.39 (DD, R.H.)           |
| 36   | 51078       | 1       | SHAFT, AXLE .75 X 17.99 (DD, L.H.)           |
| 37   | 44096       | 2       | MITER GEAR (SPLINED)                         |
| 38   | 44097       | 2       | MITER GEAR 15T (0.5 ID)                      |
| 39   | 50146       | 1       | SHAFT  |
| 40   | 44871       | 2       | RING, SPIRAL RETAINING                       |
| 41   | 51083       | 1       | PIN, JACKSHAFT                               |
| 42   | 51100       | 1       | MAGNET, RING                                 |
| 43   | 51136       | 1       | SPRING, BYPASS                               |
| 44   | 50016       | 2       | HYDRD MTG SCREW 3/8-24 X 2.5 LONG            |
| 45   | 51581       | 1       | BOTTOM, FILTER                               |
| 46   | 51580       | 1       | BASE, FILTER W/ POPPET                       |
| 47   | 51091       | 1       | ACTUATOR, BYPASS                             |
| 48   | 51098       | 1       | ROD, BYPASS ACTUATOR                         |
| 49   | 51135       | 1       | ARM, BYPASS                                  |
| 50   | 51116       | 1       | RETAINING RING 0.250 EXTERNAL                |
| 51   | 51081       | 1       | SEAL, LIP .741 X .250 X .250 TC              |
| 52   | 44371       | 1       | FLAT WASHER, 5/8 ID X 1.0 OD X .05 THK       |
| 53   | 44145       | 1       | RETAINING RING                               |
| 54   | 51071       | 1       | BEARING, CENTER BLOCK                        |
| 55   | 2003014     | 1       | SPRING - HELICAL COMPRESSION                 |
| 56   | 2003017     | 1       | WASHER                                       |
| 57   |             | 78.8 0Z | 20W-50 OIL                                   |
| 58   | 62589       | 1       | KIT, BRAKE YOKE                              |
|      |             | 1       | BRAKE YOKE                                   |
|      |             | 1       | SQ. HD. BOLT 5/16-24 RIBBED                  |
| 59   | 51072       | 1       | ROTOR, BRAKE                                 |
| 60   | 44132       | 2       | BRAKE PUCK                                   |
| 61   | 44134       | 1       | PUCK PLATE                                   |
| 62   | 44127       | 2       | BRAKE ACTUATING PIN                          |

| ITEM | PART NUMBER  | QTY | DESCRIPTION                                     |
|------|--------------|-----|---|
| 63   | 51146        | 2   | HFHCS 1/4-20 X 2 W/PATCH, SPECIAL FLANGE        |
| 65   | 23711        | 1   | SPACER  |
| 66   | 70896        | 1   | KIT, SPRING                                     |
| 67   | 44138        | 1   | SQ. HD. BOLT 5/16-24- RIBBED                    |
| 68   | 44094        | 1   | ARM, BRAKE                                      |
| 69   | 44142        | 1   | SLOTTED HEX NUT 5/16-24                         |
| 70   | 44101        | 1   | COTTER PIN 3/32 X 3/4                           |
| 71   | 50919        | 1   | COMPRESSION SPRING BRAKE ANTI-DRAG              |
| 72   | 50132        | 3   | WASHER, HT 5 I.D. X 1 O.D. X .032               |
| 73   | 44130        | 2   | FLAT - WASHER 11/32 I.D. X 7/8 O.D.             |
| 74   | 70719        | 1   | KIT, SEAL                                       |
|      |              | 1   | DIL SEAL .625 X 1.0 X .25                       |
|      |              | 1   | RING, RET-STAR WASHER                           |
|      |              | 1   | BULLETIN, SHAFT SEAL                            |
| 75   | 51084        | 2   | CHECK PLUG ASSEMBLY, .027, WASHER               |
| 83   | 9004800-2506 | 2   | PIN, STANDARD HEADLESS                          |
| 84   | 51143        | 1   | FITTING, 5/16 SAE 5/32 TUBE                     |
| 85   | 51147        | 1   | HOSE, EXPANSION TANK                            |
| 87   | 51251        | 1   | CAP, VENT                                       |
| 88   | 50653        | 1   | BOLT, SELF TAPPING 10-32 X 1/2                  |
| 94   | 44147        | 1   | BALL BEARING .62 ID X 1.38 X .44                |
| 95   | 50837        | 1   | SOCKET HEAD CAP SCREW, 5/16-24 X 1-1/2          |
| 96   | 51200        | 1   | SPACER, LOCATING                                |
| 97   | 50870        | 1   | SCREW, SFHCS                                    |
| 98   | 51120        | 1   | ARM, RETURN                                     |
| 99   | 51097        | 1   | PUCK, ADJUSTING                                 |
| 100  | 51122        | 1   | WASHER, .325 OD X 1.60 ID X .150 W              |
| 101  | 51131        | 1   | SPRING, EXTENSION                               |
| 102  | 51123        | 1   | SPACER .560 OD X .260 ID X .870                 |
| 103  | 51223        | 1   | BRACKET, TORQUE                                 |
| 107  | 51134        | 1   | DEFLECTOR                                       |
| 108  | 51069        | 1   | WASHER, MOTOR SHAFT .71 ID X 1.15 OD X .030 THK |
| 109  | 9005110-5600 | 1   | PLUG, SAE #6                                    |
| 110  | 50868        | 1   | TORX HEAD SCREW, 5/16-18 T.F.                   |
| 111  | 51144        | 1   | O-RING .07 X .301 ID                            |
| 113  | 51179        | 1   | BRACKET, SUPPORT EXPANSION TANK                 |
| 114  | 51184        | 1   | SPRING GUIDE                                    |
| 116  | 51196        | 1   | SILICON SPONGE                                  |
| 120  | 70759        | 1   | CENTER SECTION - FILTER - BYPASS ASSEMBLY       |
|      |              | 1   | CENTER SECTION MACHINED                         |
|      |              | 1   | BASE FILTER W/ POPPET                           |
|      |              | 2   | CHECK PLUG ASSEMBLY                             |
|      |              | 1   | SPRING, BYPASS                                  |
|      |              | 1   | ACTUATOR, BYPASS                                |
|      |              | 1   | DEFLECTOR                                       |
|      |              | 1   | BOTTOM, FILTER                                  |
|      |              | 1   | BUSHING, .707 X .788 X .591                     |
| 121  | 70756        | 1   | FILTER ASSEMBLY                                 |
|      |              | 1   | BOTTOM, FILTER                                  |
|      |              | 1   | BASE, FILTER W/ POPPET                          |
|      |              | 1   | SPRING, BYPASS                                  |
|      |              | 1   | ACTUATOR, BYPASS                                |
|      |              | 1   | DEFLECTOR                                       |
| 122  | 70463        | 1   | SEAL - O-RING KIT                               |
| 128  | 70503        | 1   | KIT, EXPANSION TANK                             |
|      |              | 1   | TANK, EXPANSION                                 |
|      |              | 1   | CAP, VENT                                       |
|      |              | 1   | BOLT, SELF TAPPING 10-32 X 1/2                  |
|      |              | 1   | BRACKET, SUPPORT EXPANSION TANK                 |
|      |              | 1   | SILICON SPONGE 1/2 X 1/2 X 3/16                 |
| 129  | 51252        | 1   | CAP, EXPANSION TANK SHIPPING                    |

NOTE: Include a HG- prefix when ordering replacement transmission parts (i.e. HG-70467).

**CUB CADET LLC, P.O. BOX 361131 CLEVELAND, OHIO 44136-0019**