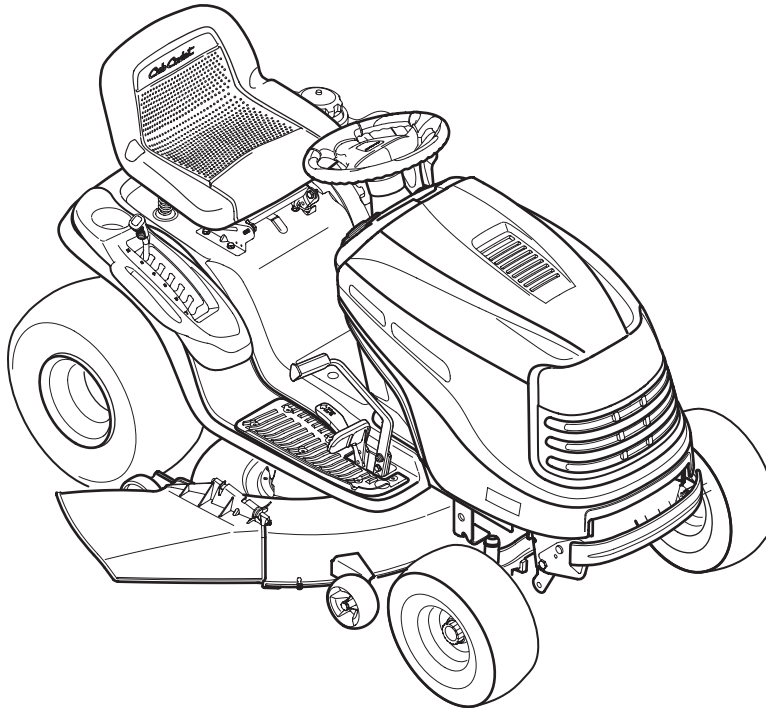

Cub Cadet.

ILLUSTRATED PARTS MANUAL



Model Series 1000 — Hydrostatic Lawn Tractor

Models LT1042

LT1045

LT1046

LT1050

CUB CADET LLC, P.O. BOX 361131 CLEVELAND, OHIO 44136-0019

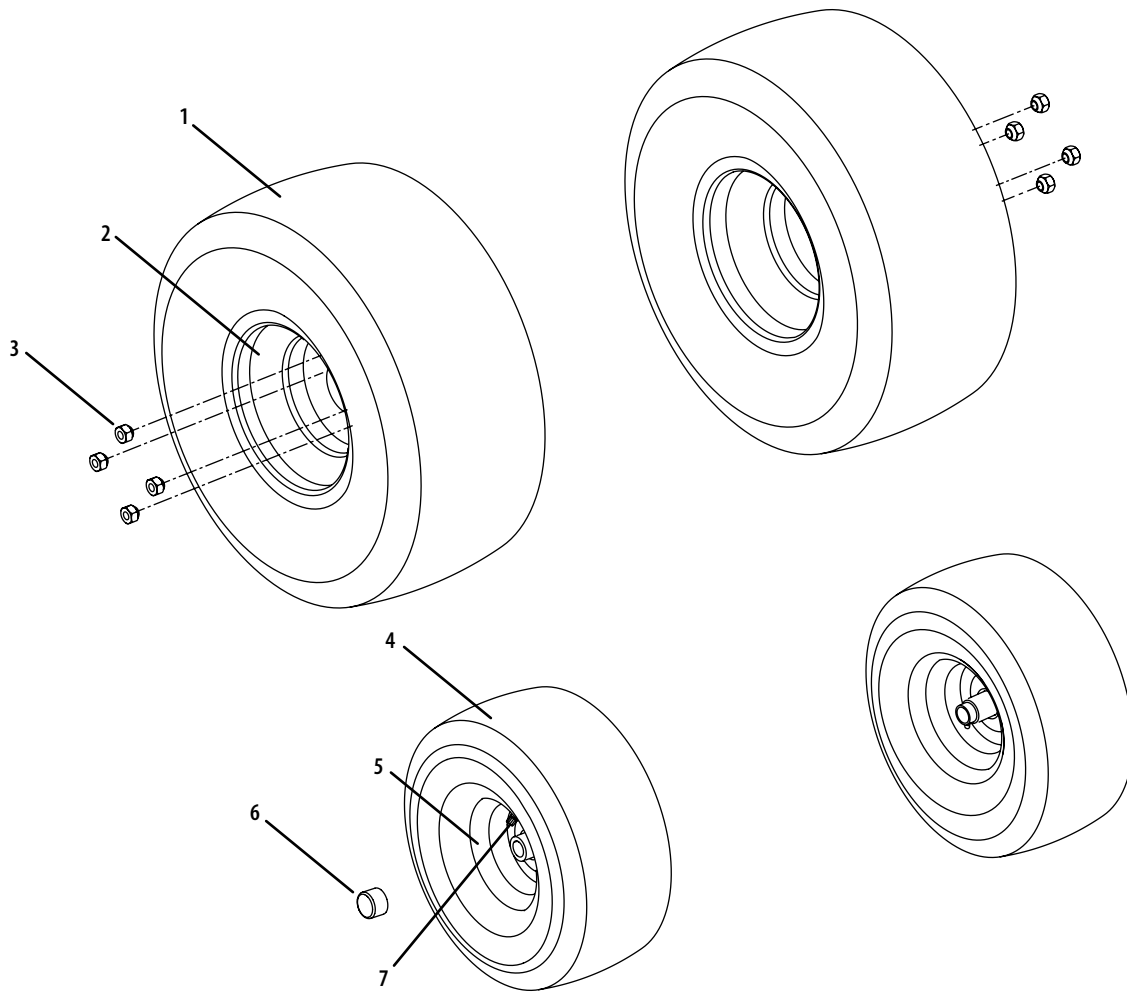
SERIES 1000 HYDROSTATIC LAWN TRACTORS

TABLE OF CONTENTS

DESCRIPTION	PAGE	DESCRIPTION	PAGE
Axle, Front	12	SV590 & SV600 KOHLER SINGLE-CYLINDER ENGINES	
Battery	6	Air Intake/Filtration.....	32
Brake Pedal	19	Blower Housing.....	36
Deck, 42-inch	22	Crankcase	30
Deck, 46-inch	24	Cylinder Head	33
Deck, 50-inch	26	Engine Controls.....	34
Dash Panel	6	Fuel System.....	35
Drive System	10	Ignition / Electrical	36
Electrical Schematic	48	Oil Pan / Lubrication.....	37
Engine Accessories	16	Starting System.....	36
Fender	8	SV720 & SV730 KOHLER TWIN-CYLINDER ENGINES	
Frame	14	Air Intake/Filtration.....	38
Fuel Tank	8	Blower Housing.....	39
Head Lamp	4	Crankcase	40
Hood	4	Cylinder Head	42
Lift Linkage	20	Engine Controls.....	43
Label Map	21	Fuel System.....	44
PTO	14	Ignition / Electrical	45
Seat	18	Oil Pan / Lubrication.....	46
Steering	12	Starting System.....	47
Transmission, Hydrostatic	28		
Wheels, Front & Rear	3		

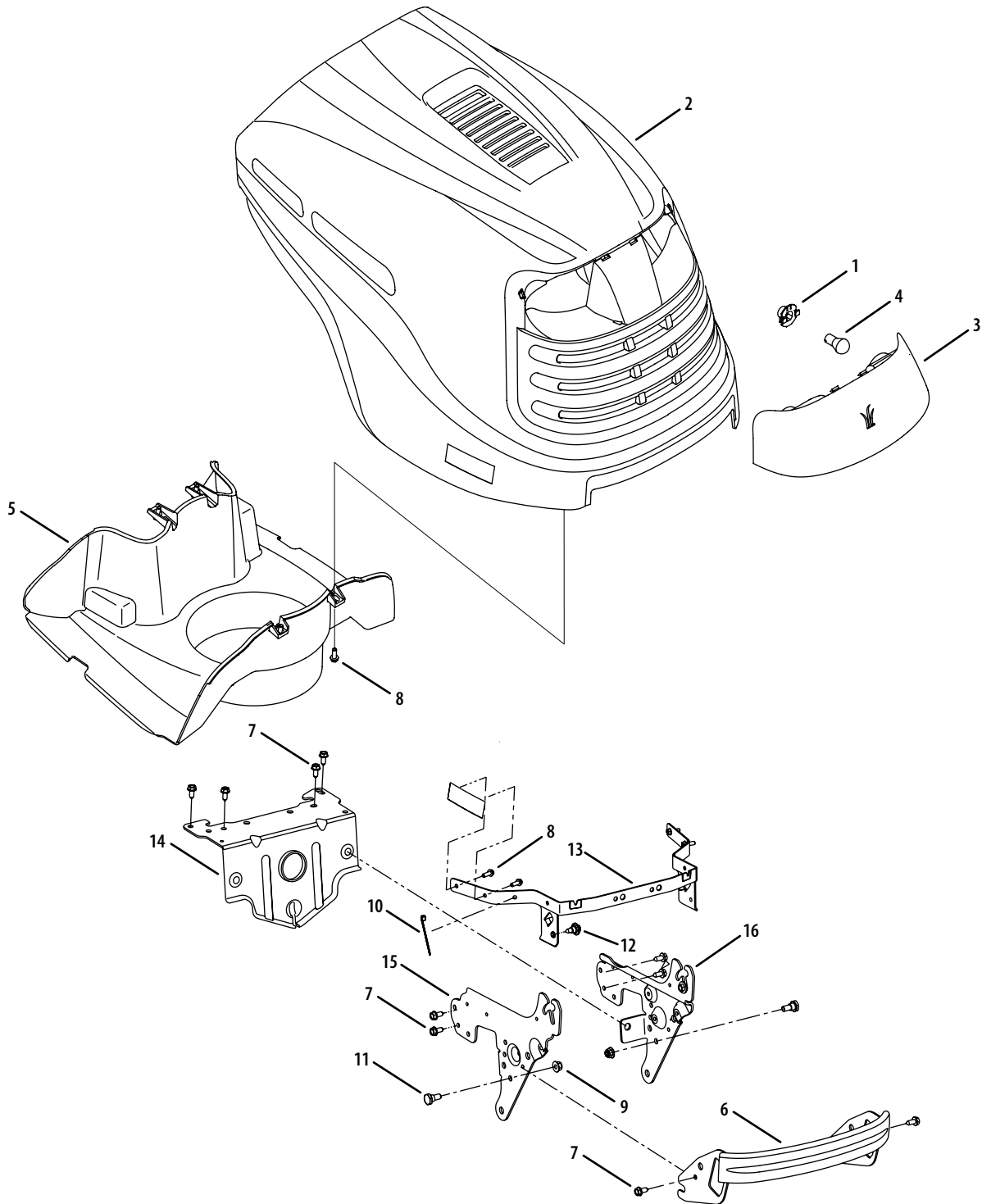
NOTE: For painted parts, please refer to the list of color codes below. Please add the applicable color code, wherever needed, to the part number to order a replacement part. For instance, if a part, numbered 700-xxxx, is painted Cub Yellow, the part number to order would be 700-xxxx-0716.

Cub Yellow: 0716
Cub Beige: 0499
Powder Black: 0637



Ref.	Part Number	Description
1	734-1873	Tire, 20 x 10 x 8 Square Shoulder
2	634-0246A	Rim Assembly, 8.0 x 6.19 (4-Lug)
	734-0255	Valve, Tubeless Air (not shown)
3	712-3050	Lug Nut, 7/16-14
4	734-1731	Tire, 15 x 6 x 6 Square Shoulder
5	634-04405	Rim Assembly, 6 x 4.5 (Includes Flange Bearings and Valve)
	741-0990B	Bearing, Flange .760 ID w/ Grease Ftg.
	741-0516B	Bearing, Flange .760 x 1.00 x 1.20 Lg.
6	734-0255	Valve, Tubeless Air
7	731-05674	Hub Cap

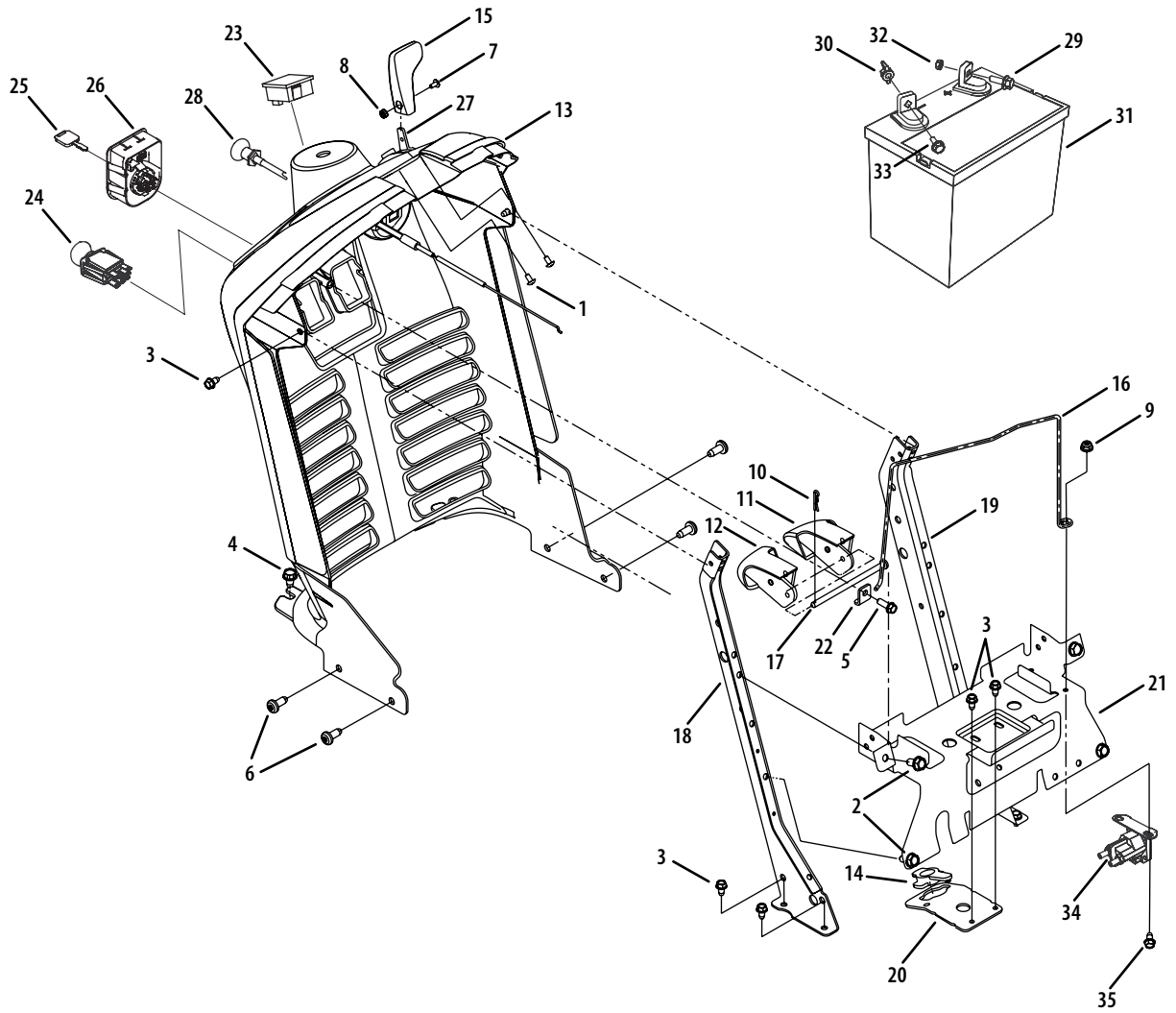
Hood & Grille



Ref.	Part Number	Description
1	625-04046	Lamp Socket
2	731-04567A	Hood
3	731-04577	Headlight Lens
—	777X41562*	Headlight Lens Reflector, RH
—	777X41563*	Headlight Lens Reflector, LH
—	629-04083*	Headlight Harness
4	725-0963	Miniature Lamp, 12 V
5	731-04569A	Hood Plenum (LT1042 & LT1045)
	731-04579A	Hood Plenum (LT1046 & LT1050)
6	683-04238	Bumper Assembly
7	710-04484	Screw, 5/16-18 x .750
8	710-0895	Screw, 1/4-15 x .75
9	712-04065	Flange Lock Nut, 3/8-16, Grf
10	725-0157	Cable Tie
11	738-0143	Shoulder Screw, .496 x .336, 3/8-16
12	738-04091A	Shoulder Screw, .43 x .29 x 5/16-18
13	783-04606B	Pivot Bracket
14	783-05326	Pivot Bar Bracket
15	783-05418	Pivot Bracket, Hood, RH
16	783-05417	Pivot Bracket, Hood, LH

* Not Shown

Dash Assembly, Battery & Solenoid

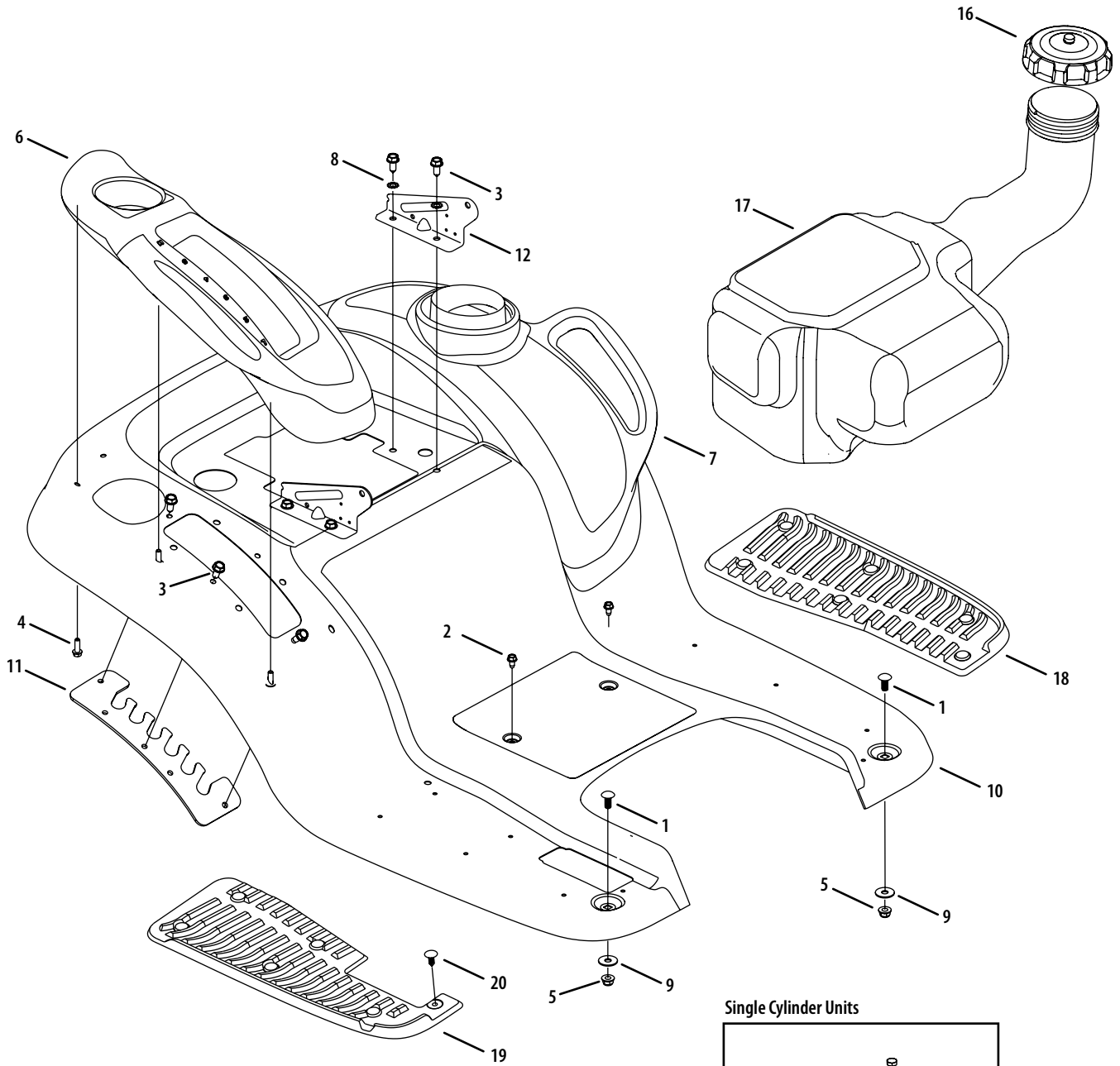


Dash Assembly, Battery & Solenoid

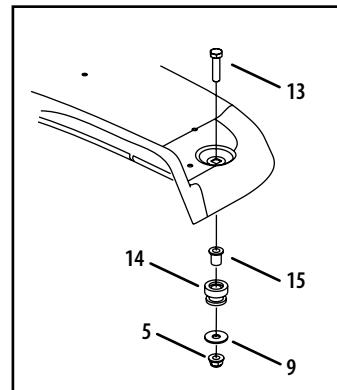
Ref.	Part Number	Description	Ref.	Part Number	Description
1	710-0192	Screw, #10-24 x .375	21	783-05469	Bracket, Support, Battery
2	710-04484	Screw, Hex, 5/16-18 x .750	22	783-1499	Bracket, Rod, Dash
3	710-0599	Screw, Self-tapping, 1/4-20, 0.500	23	725-04022B	Monitor, Sys. Indicator / Hour Meter
4	710-0607	Screw, Hex, 5/16-18 x .500	24	725-04258	Switch, PTO, Yellow
5	710-0895	Screw, 1/4-15, 0.750	25	725-2054	Ignition Key, Plastic
6	710-1611B	Screw, Torx Hd. Tapp. 5/16-18 x .75		725-1744	Ignition Key, Metal
7	710-3217	Screw, Machine, #8-32, 0.375	26	725-04227B	Switch Module, Ignition
8	712-0142	Nut, 8-32	27	746-1087	Throttle, 27.4 (LT1042 & LT1045)
9	712-04064	Nut, Nylon Lock, 1/4-20		746-04352	Throttle, 38.0 (LT1046 & LT1050)
10	714-0104	Internal Cotter Pin, .072 x 1.13	28	746-04121	Choke, 24.0 (LT1042 & LT1045)
11	731-04293A	Lever, Dash, Brake		746-04120	Choke, 37.5 (LT1046 & LT1050)
12	731-04294A	Lever, Dash, Cruise	29	738-1132	Shoulder Screw, .250 x .150, 1/4-20
13	731-05004	Dash	30	712-3087	Wing Nut, 1/4-20
14	731-05659	Steering Colum Bearing	31	725-1737A	Battery, 190 CCA (LT1042 & LT1045)
15	731-3161A	Knob, Throttle Control		725-1750A	Battery, 235 CCA (LT1046 & LT1050)
16	747-04215	Hold-down Rod, Battery	32	712-0271	Nut, Sems, 1/4-20
17	747-1323A	Rod, .250 Dia x 4.25 Lg.	33	710-04666	Screw, Flange, 1/4-20, .75,
18	783-04285E	Dash Support, RH	34	725-04439	Solenoid, 12V, 100 Amp
19	783-04323D	Dash Support, LH	35	710-0642	Screw, 1/4-20, .750
20	783-05240A	Bracket, Steering Support	—	725-04402A*	Wire Harness

* Not Shown

Fender & Fuel Tank

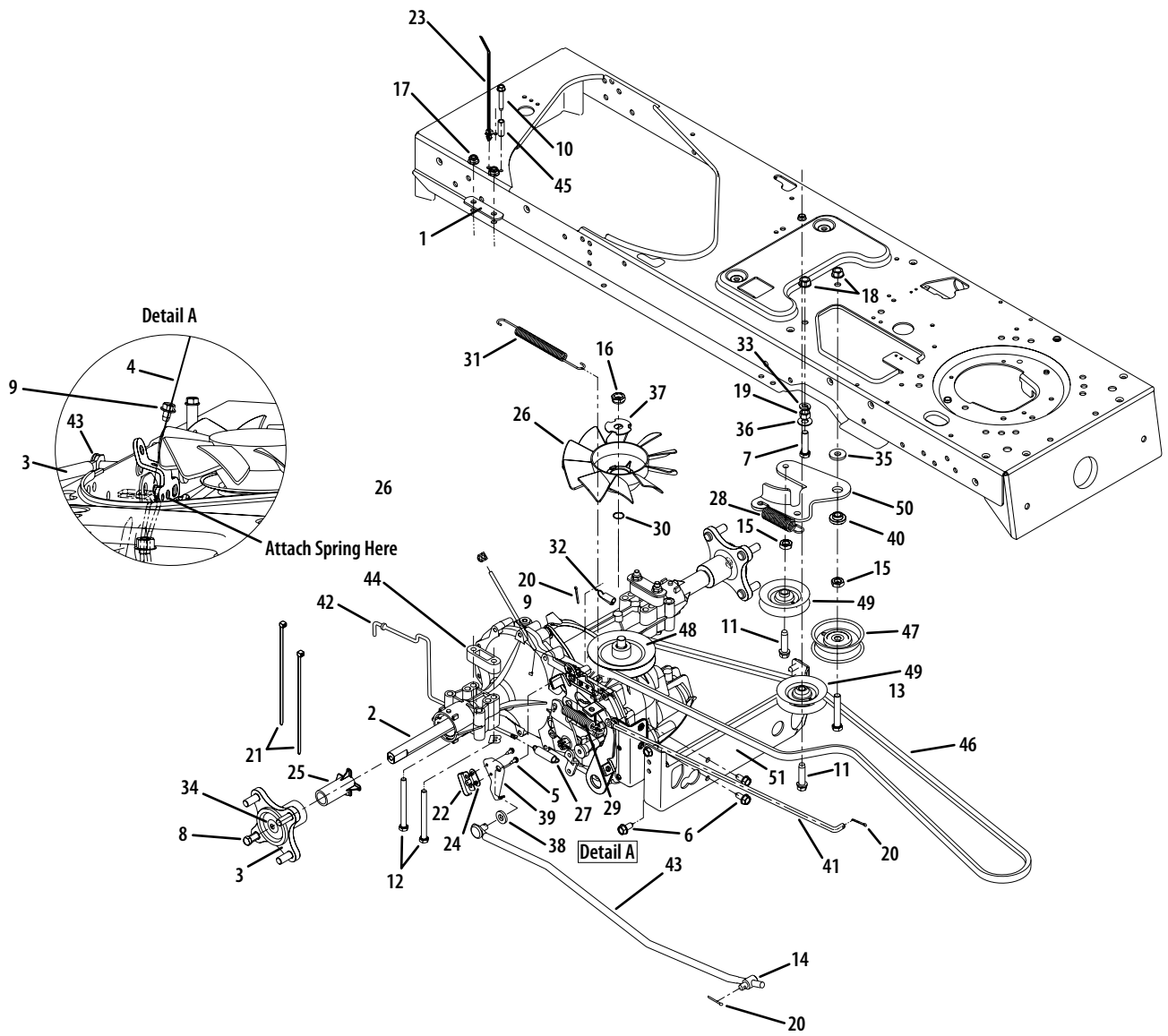


Single Cylinder Units



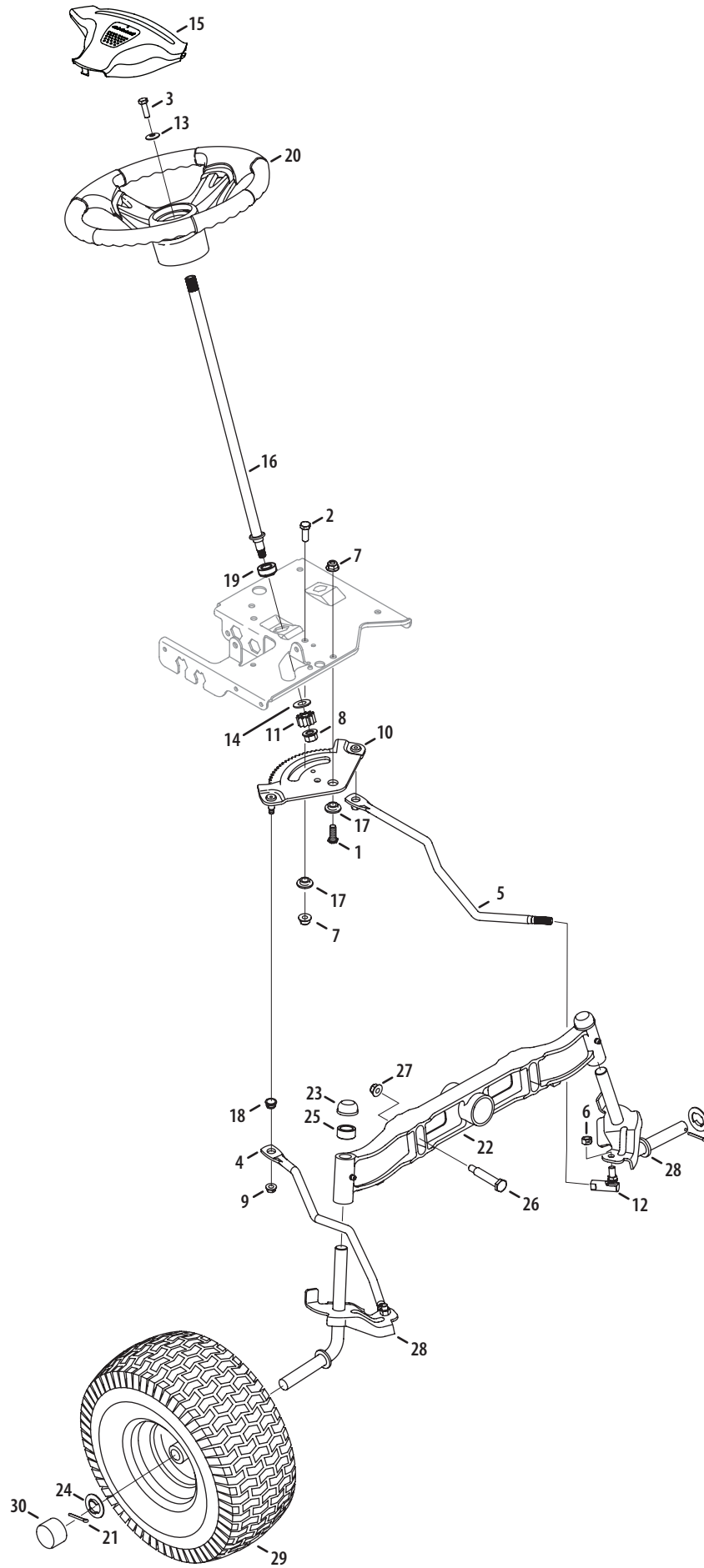
Ref.	Part Number	Description
1	710-0451	Bolt, Carriage, 5/16-18 x .750
2	710-0599	Screw, Self-tapping, 1/4-20, 0.500
3	710-04484	Screw, 5/16-12, 0.75
4	710-0895	Screw, 1/4-15, 0.750
5	712-04063	Nut, Nylon Lock, 5/16-18
6	731-2616A	Cover, Fender, RH
7	731-2617	Cover, Fender, LH
8	736-0607	Washer, Lock, 5/16 External Tooth
9	736-3078	Washer, Flat, .349 x 1.00 x .063
10	783-04477A	Fender
11	783-0677B	Bracket, Lift, Adjustment
12	783-1489C	Bracket, Seat, Mount
13	710-0528	Screw, 5/16-18 x 1.25
14	735-0690	Grommet
15	750-3310	Flange Spacer, .3125 x .4375 x .625
16	751-3124D	Cap, Fuel
17	751-0819B	Tank, Fuel
18	735-0697A	Pad, Foot, LH
19	735-0698B	Pad, Foot, RH
20	726-3046	Clip, Ratchet, .250 Dia

Drive System



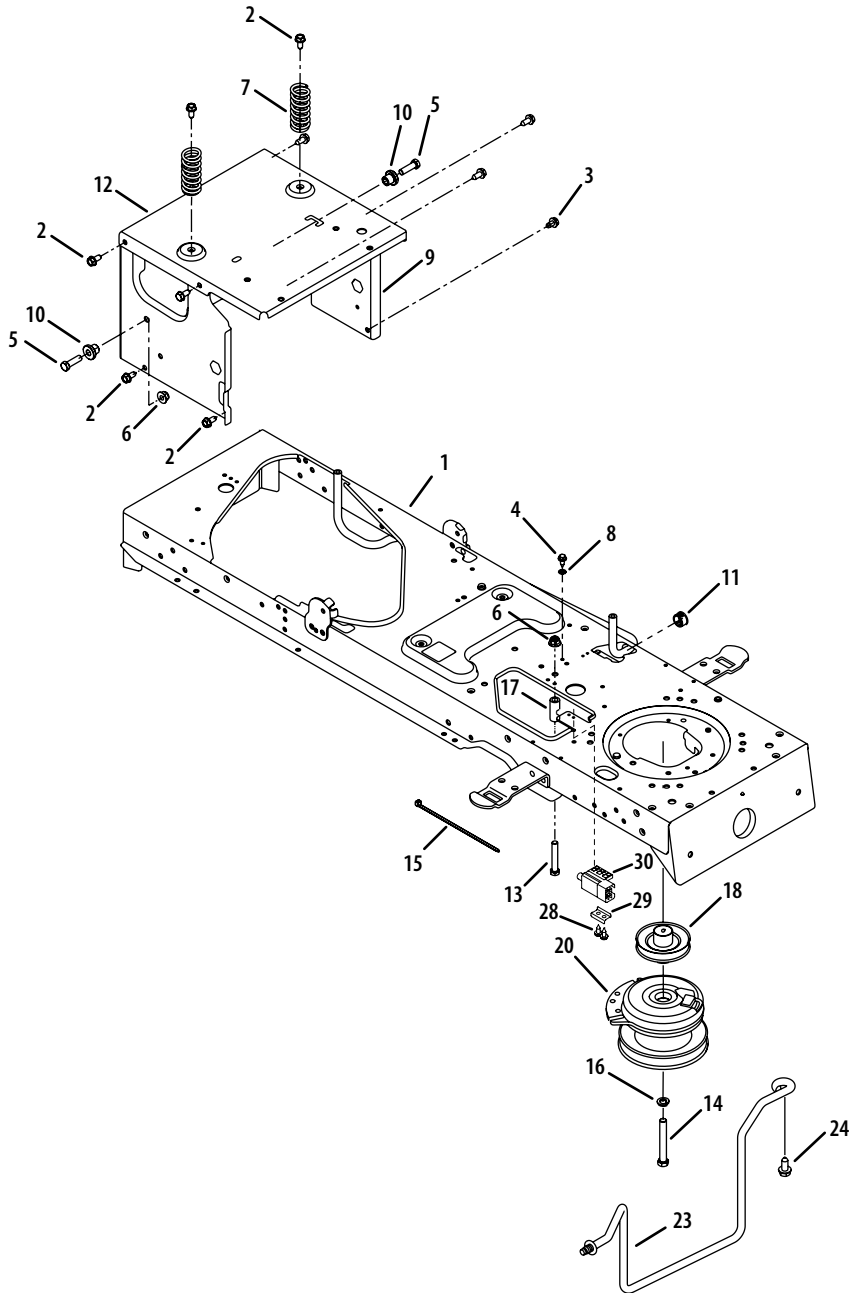
Ref.	Part Number	Description	Ref.	Part Number	Description
1	17840	Bracket, Mounting, Transaxle	27	732-0209	Spring, .48 OD x 2.03 Extension
2	618-0319	Transmission, Hydrostatic	28	732-04323B	Spring, Extension, .563 Dia x 3.72 Lg
3	618-04228	Hub Assembly, Wheel	29	732-0716D	Spring, Extension, .59 OD x 4.00 Lg
4	629-04124	Harness Assembly, Grnd. & Rev.	30	732-0729	Ring, Wire
5	710-0227	Screw, #8-18, 0.500	31	732-0994	Spring, Extension, .500 Dia x 7.0
6	710-04484	Screw, 5/16-12, 0.75	32	732-3118	Spring, Extension, 3/8 OD x 1.44
7	710-0520	Hex Cap Screw, 3/8-16, 1.50, Gr5	33	736-0169	Washer, Lock, 3/8, Regular Duty
8	710-0627	Hex Cap Screw, 5/16-24 x .750	34	736-0242	Bell Washer
9	710-0653	Screw, 1/4-20 x .375	35	736-0258	Washer, Flat, .385 x 1.0 x .135
10	710-0778	Hex Cap Screw, 1/4-20, 1.5, Gr5	36	736-0300	Washer, Flat, .406 x .875 x .059
11	710-1007	Screw, 3/8-16, x 1.50	37	736-04263	Washer, Lock, Hydro
12	710-1266	Hex Cap Screw, 5/16-18,3.5, Gr5	38	736-3010	Washer, Flat, .407 x .812 x .135
13	710-3011	Hex Cap Screw, 3/8-16, 2.25, Gr5	39	783-1019B	Bracket, Actuator, Switch
14	711-0832	Ferrule, 3/8-24 x .375 Dia	40	738-0372B	Spacer, Shoulder, 1.00 x .38 x .38
15	712-0240	Nut, Jam, 7/16-20, Gr2	41	747-04139	Rod, Brake, Hydro
16	712-0346	Nut, Jam Lock, 1/2-20, Gr5	42	747-1149	Rod, Hydro Bypass
17	712-04063	Nut, Hex Nylon Lock, 5/16-18	43	747-1151	Rod, Control, Hydro
18	712-0431	Nut, Flange Lock, 3/8-16	44	748-0334	Spacer, T-axle .68
19	712-3017	Nut, Hex, 3/8-16, Gr8	45	750-0566A	Spacer, 1"
20	714-0111	Pin, Cotter, 3/32, 1.0	46	754-04165	Belt, V Type, Poly
21	725-0157	Cable, Tie, 3/16 x .05 x 7.4	47	756-04224	Pulley, Idler, Flat 2.75 OD
22	725-1644	Switch, Spring, Short	48	756-04308	Pulley, Engine, 4.13 Dia.
23	726-0154	Tie, Cable, Push Mount 7.5 Lg	49	756-04325	Pulley, Idler, V Type x 3.06 Dia
24	726-0320	Plate, Insulator Nut	50	783-04442	Bracket Assembly, Idler, Center Dbl
25	731-05300	Sleeve, 2.4"	51	783-0810B	Bracket, Transmission, Torque
26	731-06098	Fan, Blade			

Steering

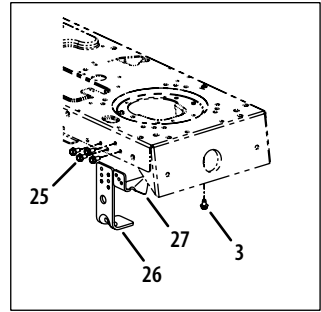


Ref.	Part Number	Description
1	710-04095	Hex Cap Screw, 3/8-16, 1.00
2	710-0514	Hex Cap Screw, 3/8-16, 1.00, Gr5, Std
3	710-0650	Self-tapping Screw, 5/16-18 x .75
4	711-1408	Link, Drag, RH
5	711-1409A	Link, Drag, LH
6	712-0214	Nut, Hex, 3/8-24, Gr5
7	712-04065	Nut, Nylon Lock, 3/8-16
8	712-0459	Nut, Flange Lock, 7/16-20
9	712-3004A	Nut, Flange Lock, 5/16-18
10	717-1550E	Gear, Steering, 11/90 Ratio
11	717-1554	Gear, Pinion, Steering
12	723-0448A	Ball Joint, 7/16-20
13	736-3004	Washer, Flat, .406 x .875 x .105
14	736-3084	Washer, Flat, .510 x 1.120 x .060
15	731-04532A	Cover, Steering Wheel
16	738-04262	Shaft, Steering, .625 OD x 25.00 Lg
17	738-04154	Spacer, Shoulder, 1.00 x .38 x .38
18	741-0475	Bushing, Plastic, .380 ID
19	741-04237	Bearing, Hex Flange, 5/8
20	631-04008A	Wheel, Steering, Three Spoke
21	714-0162	Pin, Cotter, 5/32, 1.25
22	719-04177A	Axle, Pivot Bar, Cast
23	726-0341	Push Cap, .75
24	736-04228A	Washer, Flat, .781 x 1.590
25	748-04068	Spacer, .71 x .125 x .56
26	738-04128	Screw, Shoulder, .500 x 2.38, 3/8-16
27	712-04065	Nut, Jam, 3/8-16, Grf.
28	638-04003A	Axle Ass'y, LH .750 Dia (LT1045, LT 1046 & LT 1050)
	638-04005	Axle Ass'y, LH .750 Dia (LT1042)
	638-04004A	Axle Ass'y, RH .750 Dia (LT1045, LT 1046 & LT 1050)
	638-04006	Axle Ass'y, RH .750 Dia (LT1042)
29	634-04406	Wheel Assembly (See page 3 for breakdown)
30	731-05674	Hub Cap

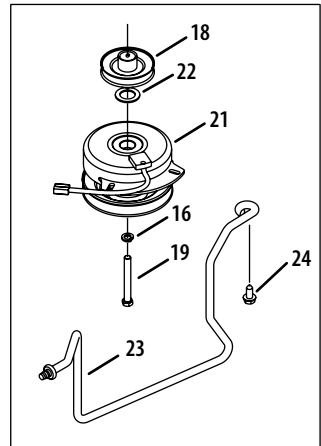
Frame & Electric PTO Clutch



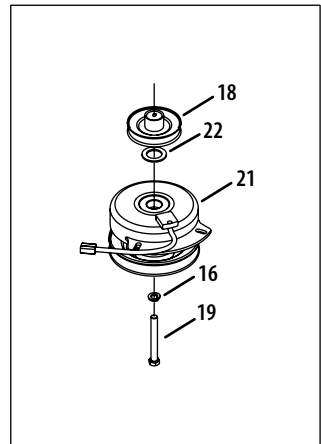
50" Deck Units



46" Deck



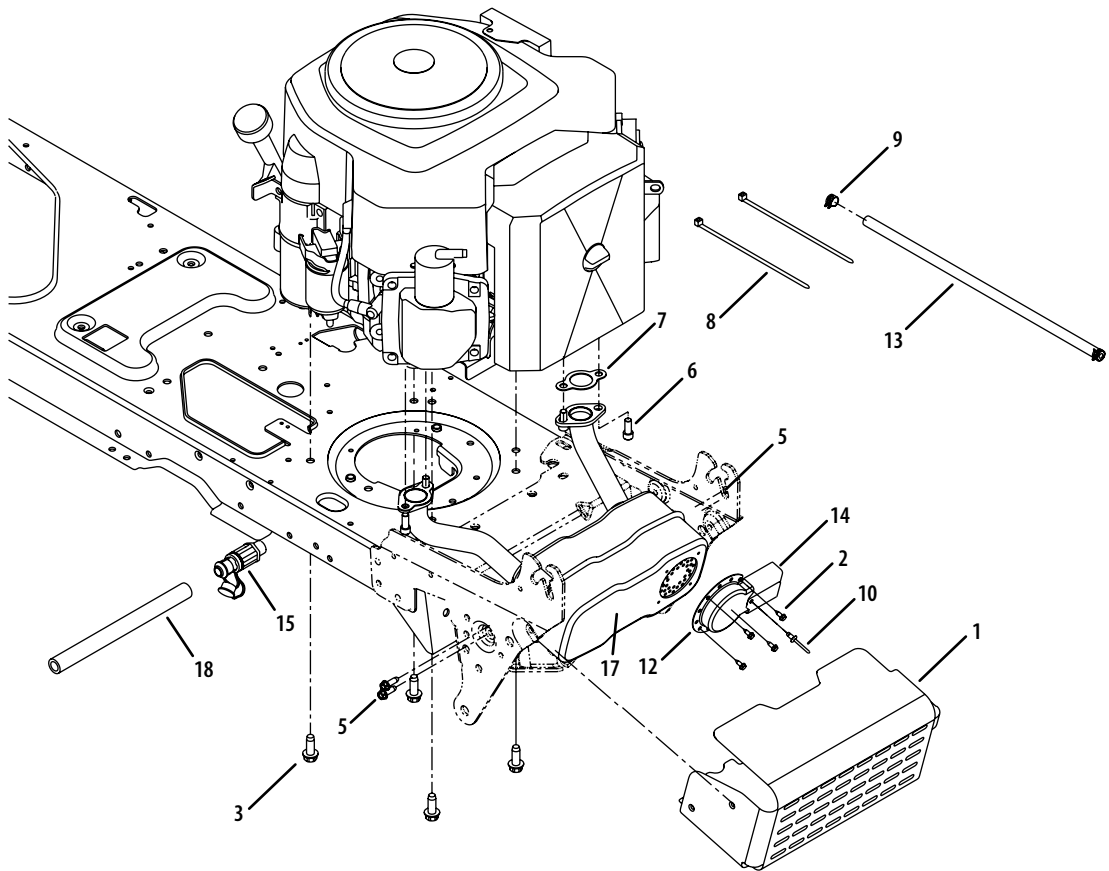
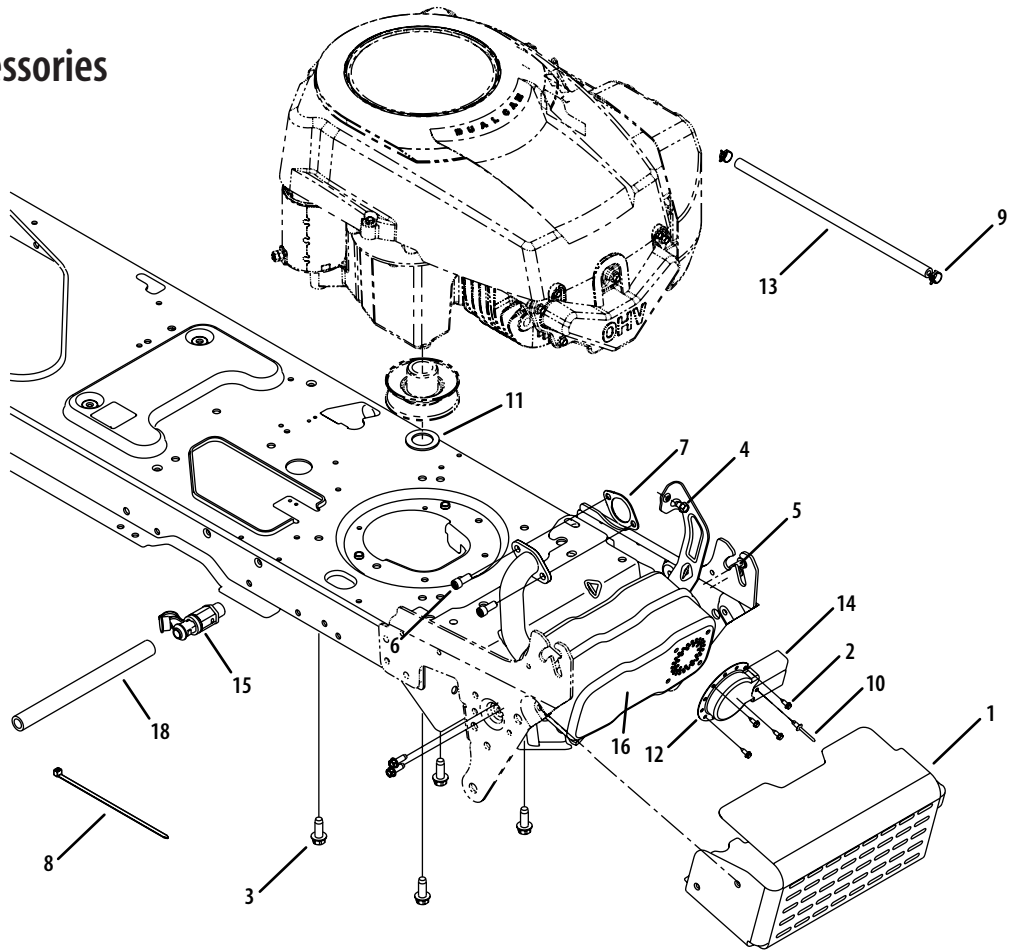
50" Deck



Frame & Electric PTO Clutch

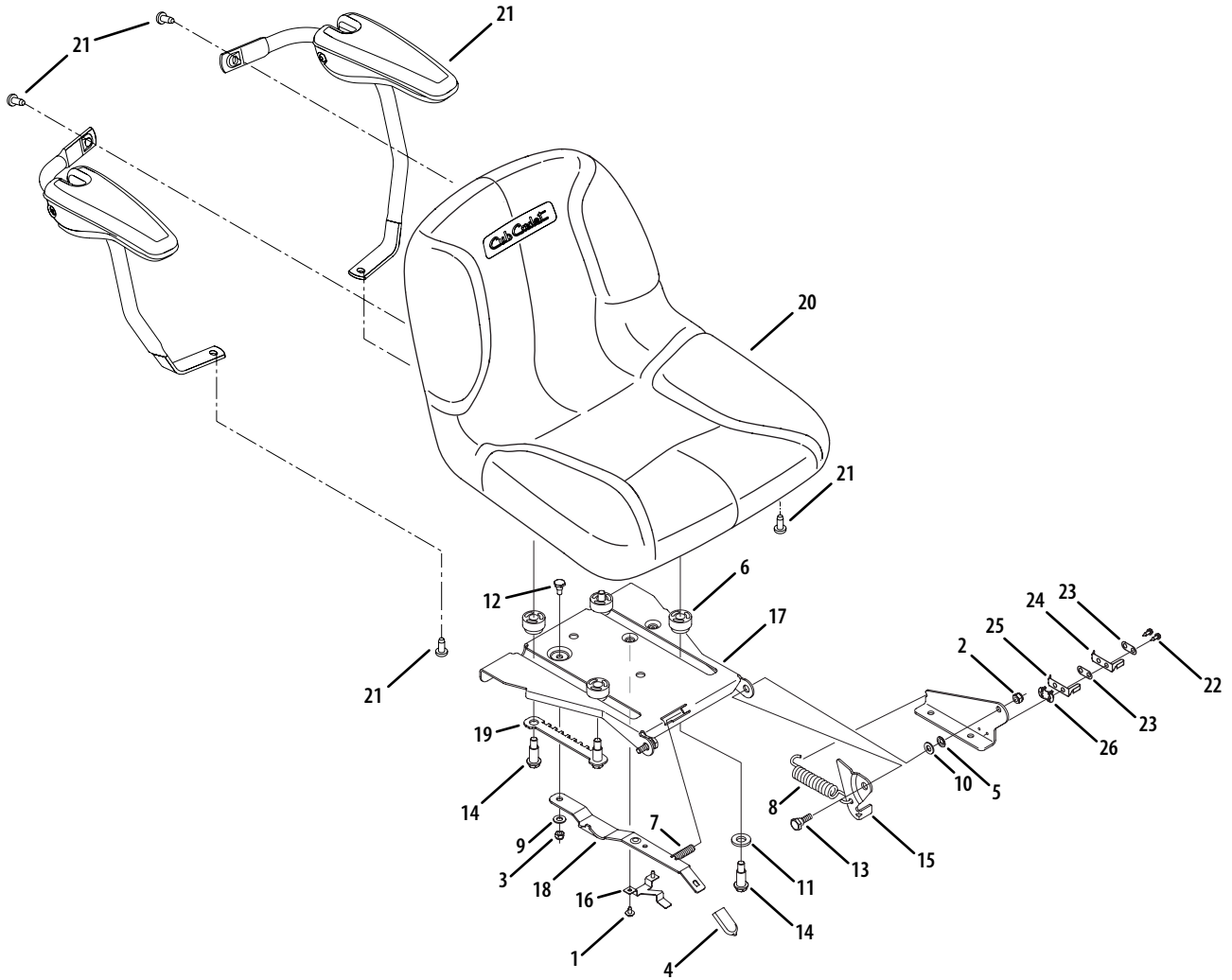
Ref.	Part Number	Description
1	683-04173B	Frame Assembly, Lower
2	710-04484	Screw, Self-tapping, 5/16-18, 0.75
3	710-0607	Screw, Hex Wash. Tapp, 5/16-18 x .5
4	710-1652	Screw, Hex Wash. Hd. Tapp, 1/4-20 x 0.625
5	710-3005	Hex Screw 3/8-16 x 1.25
6	712-04065	Nut, Nylon Lock, 3/8-16
7	732-04035	Spring, Compression, 1.28 OD x 3.125
8	736-0222	Washer, Lock, Ext. 1/4
9	783-04810C	Frame, Upper
10	738-04058	Shoulder Spacer
11	741-04092	Snap Bushing
12	783-04746	Bracket, Frame, Seat
13	710-3011	Screw, 3/8-16 x 2.25 GR5
14	710-3157A	Screw, Hex Cap, 7/16-20 x 3.25 GR5 (Model LT1042)
15	725-0157	Cable, Tie, 3/16 x .05 x 7.4
16	736-0171	Washer, Lock, 7/16, Regular Duty
17	748-0415B	Spacer, 3/8 x 1.54
18	756-0978B	Electric PTO Engine Pulley
19	710-04379A	Screw, Hex Cap, 7/16-20 x 3.5 GR5
20	717-04163	Clutch, PTO (Model LT1042)
21	717-04174A	Clutch, PTO (Model LT1045, LT1046 & LT1050)
22	736-0277	Washer, Flat, 1.031 x 1.62 x .095
23	683-04443	Rod, Belt Keeper (Model 1042)
	747-04685A	Rod, Belt Keeper (Model LT1045 & LT1046)
24	710-1260A	Screw, 5/16-18, .75
25	710-04484	Screw, 5/16-12, 0.75
26	783-04467	Deck Stop (Model LT1050)
27	783-04419B	Bracket, Clutch (Model LT1050)
28	710-0224	Screw, #10 - 16, x .500
29	17962	Switch Mounting Plate
30	725-04039	Interlock Switch

Engine Accessories



Ref.	Part Number	Description
1	683-04370	Shield, Muffler
2	710-0227	Screw, #8-18, 0.500
3	710-04683	Screw, Hex, 3/8-16 x 1.00
4	710-0599	Screw, Hex, 1/4-20, 0.500
5	710-0642	Screw, Hex, 1/4-20, 0.750
6	710-1314A	Screw, 5/16-18, 0.75
7	721-0208	Exhaust Gasket
8	725-0157	Cable, Tie, 3/16 x .05 x 7.4
9	726-0205	Hose Clamp
10	728-04000	Rivet, Pop, .188 x .325
11	736-0277	Flat Washer, 1.031 x 1.620 x .095
12	751-0564B	Deflector, Muffler
13	751-10349	Fuel Line, Low Permeation
14	751-10353	Extension, Deflector
15	751-10517	Drain, Oil
16	751-10529	Muffler, Single Inlet
17	751-10528	Muffler, Dual Inlet
18	751-3141	Extension Hose, Oil Drain

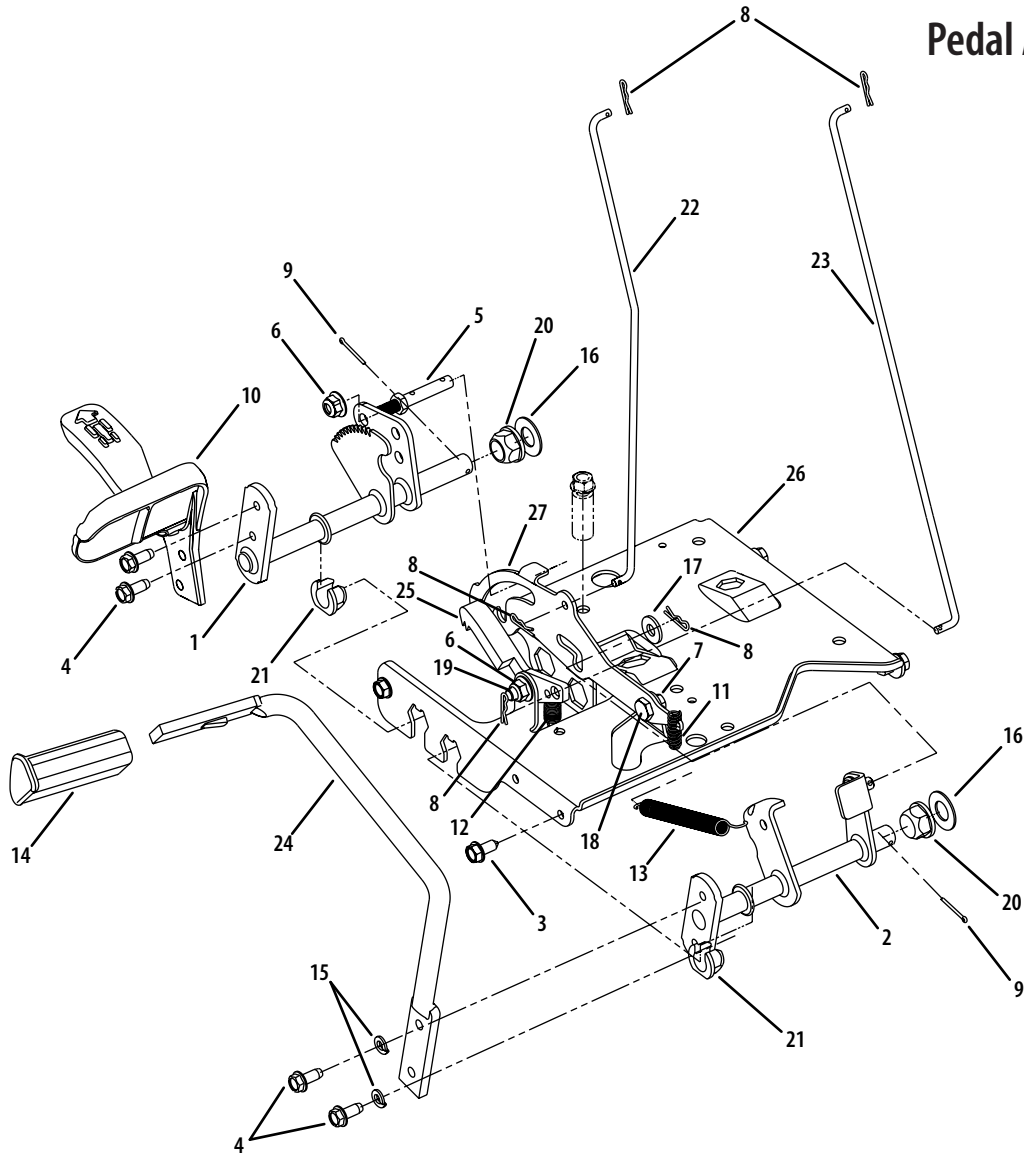
Adjustable Seat



Ref.	Part Number	Description
1	710-1268	Screw, #10-16, 0.375
2	712-04063	Nut, Nylon Lock, 5/16-18, Gr5
3	712-04064	Nut, Nylon Lock, 1/4-20 GrF
4	720-0309A	Grip, Seat, Adjustment
5	726-0201	Nut, Speed, .3125 ID
6	731-04074	Spacer, Seat, Adjustment
7	732-0499	Spring, Compression .41 x 1.50
8	732-1184	Spring, Extension, .80 Dia x 4.6
9	736-0204	Washer, Flat, .344 x .620 x .033
10	736-0242	Washer, Flat, .340 x .872 x .060
11	736-3019	Washer, Flat, .531 x 1.062 x .134
12	738-0137A	Screw, Shlder, .340 x .285, 1/4-20
13	738-0296	Shoulder, Screw .437 x .286 Lg
14	738-0966A	Screw, Shoulder, .50 x.925, 3/8-16

Ref.	Part Number	Description
15	783-0209D	LH Bracket, Seat Lift
16	783-0611	Stop, Seat, Adjustment
17	783-0738D	Bracket, Seat Pivot
18	783-0739A	Lever, Seat, Adjustment
19	783-0753	Selector, Seat, Adjustment
20	757-04053	Seat, Cub Cadet, High Back
	757-04058	Seat, Cub Cadet, High Back w/ Arm
21	757-04073	Arm Rest Kit (incl. screws, RH & LH)
22	710-0227	Screw, #8-18 x .50
23	726-0279	Plate, Insulator
24	725-1303	Spring Switch, Outer
25	725-1439	Spring Switch, Inner
26	726-0278	Plate, Insulator Boss

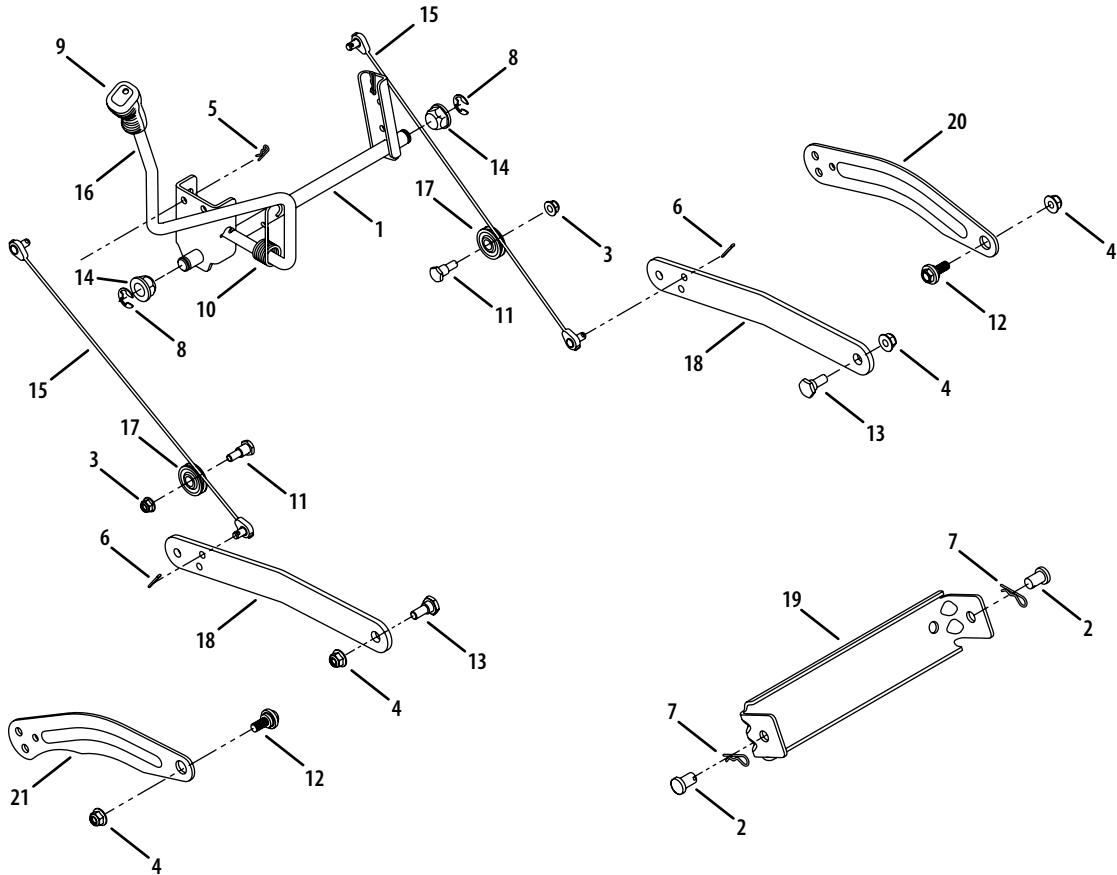
Pedal Assembly



Ref.	Part Number	Description
1	647-0049A	Control Assembly, Hydro
2	647-04100	Control Assembly, Brake
3	710-04484	Screw, Self-tapping, 5/16-18, 0.75
4	710-1260A	Screw, Self-tapping, 5/16-18, 0.75
5	711-04159B	Pin, 3/8-16, 3/8 x 2.68
6	712-04065	Nut, Nylon Lock, 3/8-16
7	712-3004A	Nut, Flange Lock, 5/16-18, Gr5
8	714-0104	Pin, Cotter, .072 Dia. x 1.13 Lg
9	714-0111	Pin, Cotter, 3/32, 1.0
10	719-0584B	Pedal, Hydro Control
11	732-0335	Spring, Compression, .405 x 1.17
12	732-0955	Spring, Extension, .50 OD x 1.41 Lg
13	732-0963	Spring, Extension, .50 Dia x 6.37 Lg
14	735-3049A	Pad, Brake, Control

Ref.	Part Number	Description
15	736-0119	Washer, Lock, 5/16
16	736-0187	Washer, Flat, .64 x 1.24 x .06
17	736-0262	Washer, Flat, .385 x .870 x .092
18	738-0155	Shoulder, Screw .437
19	738-0380	Shoulder, Screw 3/8-16
20	741-0225	Bearing, Hex Flange
21	741-3065B	Bearing, Hex Flange, .628 ID, Split
22	747-04093A	Rod, Control, Brake Lock
23	747-04096	Rod, Control, Cruise
24	783-04641A	Pedal, Brake
25	748-04039C	Latch, Cruise
26	783-04612	Bracket, Support, Steering
27	783-0663E	Bracket, Lockout, Hydro

Lift Assembly



Ref.	Part Number	Description
1	683-04223	Shaft Assembly, Lift
2	711-0332	Pin, Clevis, .50 Dia x .78 Lg
3	712-04063	Nut, Nylon Lock, 5/16-18, Gr5
4	712-04065	Nut, Nylon Lock, 3/8-16
5	714-0104	Pin, Cotter, .072 Dia. x 1.13 Lg
6	714-0111	Pin, Cotter, 3/32, 1.0
7	714-04023	Pin, Click, .092 x 1.64 Lg
8	716-0106A	E-ring, .625 Dia. Shaft
9	720-0311	Grip, Handle
10	732-0874	Spring, Torsion
11	738-0138A	Screw, Hex Cap, 5/16-18x.620 Gr2

Ref.	Part Number	Description
12	738-04130	Shoulder Screw, 3/8-16 (42-inch Deck)
13	738-0380	Shldr. Screw, 3/8-16 (46 & 50-inch Deck)
14	741-0225	Bearing, Hex Flange
15	746-0968	Cable, Lift, 16.16 Lg
16	747-04447	Handle, Lift
17	756-1154	Pulley, Roller
18	783-05546	Arm, Lift (46- and 50-inch Decks)
19	783-0720A	Bracket, Deck (50-inch Decks)
20	783-04711	LH Arm, Lift (42-inch Deck)
21	783-04494	RH Arm, Lift (42-inch Deck)

777X42978
LT 1042 Under Hood

MODEL LT 1042	
REPLACEMENT PARTS	
LT 1042	181-000001
LT 1042	181-000002
LT 1042	181-000003
LT 1042	181-000004
LT 1042	181-000005
LT 1042	181-000006
LT 1042	181-000007
LT 1042	181-000008
LT 1042	181-000009
LT 1042	181-000010
LT 1042	181-000011
LT 1042	181-000012
LT 1042	181-000013
LT 1042	181-000014
LT 1042	181-000015
LT 1042	181-000016
LT 1042	181-000017
LT 1042	181-000018
LT 1042	181-000019
LT 1042	181-000020
LT 1042	181-000021
LT 1042	181-000022
LT 1042	181-000023
LT 1042	181-000024
LT 1042	181-000025
LT 1042	181-000026
LT 1042	181-000027
LT 1042	181-000028
LT 1042	181-000029
LT 1042	181-000030
LT 1042	181-000031
LT 1042	181-000032
LT 1042	181-000033
LT 1042	181-000034
LT 1042	181-000035
LT 1042	181-000036
LT 1042	181-000037
LT 1042	181-000038
LT 1042	181-000039
LT 1042	181-000040
LT 1042	181-000041
LT 1042	181-000042
LT 1042	181-000043
LT 1042	181-000044
LT 1042	181-000045
LT 1042	181-000046
LT 1042	181-000047
LT 1042	181-000048
LT 1042	181-000049
LT 1042	181-000050

777X42973
LT 1045 Under Hood

MODEL LT 1045	
REPLACEMENT PARTS	
LT 1045	181-000001
LT 1045	181-000002
LT 1045	181-000003
LT 1045	181-000004
LT 1045	181-000005
LT 1045	181-000006
LT 1045	181-000007
LT 1045	181-000008
LT 1045	181-000009
LT 1045	181-000010
LT 1045	181-000011
LT 1045	181-000012
LT 1045	181-000013
LT 1045	181-000014
LT 1045	181-000015
LT 1045	181-000016
LT 1045	181-000017
LT 1045	181-000018
LT 1045	181-000019
LT 1045	181-000020
LT 1045	181-000021
LT 1045	181-000022
LT 1045	181-000023
LT 1045	181-000024
LT 1045	181-000025
LT 1045	181-000026
LT 1045	181-000027
LT 1045	181-000028
LT 1045	181-000029
LT 1045	181-000030
LT 1045	181-000031
LT 1045	181-000032
LT 1045	181-000033
LT 1045	181-000034
LT 1045	181-000035
LT 1045	181-000036
LT 1045	181-000037
LT 1045	181-000038
LT 1045	181-000039
LT 1045	181-000040
LT 1045	181-000041
LT 1045	181-000042
LT 1045	181-000043
LT 1045	181-000044
LT 1045	181-000045
LT 1045	181-000046
LT 1045	181-000047
LT 1045	181-000048
LT 1045	181-000049
LT 1045	181-000050

777X42990
LT 1046 Under Hood

MODEL LT 1046	
REPLACEMENT PARTS	
LT 1046	181-000001
LT 1046	181-000002
LT 1046	181-000003
LT 1046	181-000004
LT 1046	181-000005
LT 1046	181-000006
LT 1046	181-000007
LT 1046	181-000008
LT 1046	181-000009
LT 1046	181-000010
LT 1046	181-000011
LT 1046	181-000012
LT 1046	181-000013
LT 1046	181-000014
LT 1046	181-000015
LT 1046	181-000016
LT 1046	181-000017
LT 1046	181-000018
LT 1046	181-000019
LT 1046	181-000020
LT 1046	181-000021
LT 1046	181-000022
LT 1046	181-000023
LT 1046	181-000024
LT 1046	181-000025
LT 1046	181-000026
LT 1046	181-000027
LT 1046	181-000028
LT 1046	181-000029
LT 1046	181-000030
LT 1046	181-000031
LT 1046	181-000032
LT 1046	181-000033
LT 1046	181-000034
LT 1046	181-000035
LT 1046	181-000036
LT 1046	181-000037
LT 1046	181-000038
LT 1046	181-000039
LT 1046	181-000040
LT 1046	181-000041
LT 1046	181-000042
LT 1046	181-000043
LT 1046	181-000044
LT 1046	181-000045
LT 1046	181-000046
LT 1046	181-000047
LT 1046	181-000048
LT 1046	181-000049
LT 1046	181-000050

777X42988
LT 1050 Under Hood

MODEL LT 1050	
REPLACEMENT PARTS	
LT 1050	181-000001
LT 1050	181-000002
LT 1050	181-000003
LT 1050	181-000004
LT 1050	181-000005
LT 1050	181-000006
LT 1050	181-000007
LT 1050	181-000008
LT 1050	181-000009
LT 1050	181-000010
LT 1050	181-000011
LT 1050	181-000012
LT 1050	181-000013
LT 1050	181-000014
LT 1050	181-000015
LT 1050	181-000016
LT 1050	181-000017
LT 1050	181-000018
LT 1050	181-000019
LT 1050	181-000020
LT 1050	181-000021
LT 1050	181-000022
LT 1050	181-000023
LT 1050	181-000024
LT 1050	181-000025
LT 1050	181-000026
LT 1050	181-000027
LT 1050	181-000028
LT 1050	181-000029
LT 1050	181-000030
LT 1050	181-000031
LT 1050	181-000032
LT 1050	181-000033
LT 1050	181-000034
LT 1050	181-000035
LT 1050	181-000036
LT 1050	181-000037
LT 1050	181-000038
LT 1050	181-000039
LT 1050	181-000040
LT 1050	181-000041
LT 1050	181-000042
LT 1050	181-000043
LT 1050	181-000044
LT 1050	181-000045
LT 1050	181-000046
LT 1050	181-000047
LT 1050	181-000048
LT 1050	181-000049
LT 1050	181-000050

777122241



777122240

LIFT ROD UP TO ENGAGE TRANSMISSION.
LIFT ROD OUT AND DOWN TO RELEASE TRANSMISSION.
HYDROSTATIC BYPASS ROD

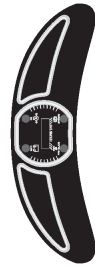
777D10279



777120310

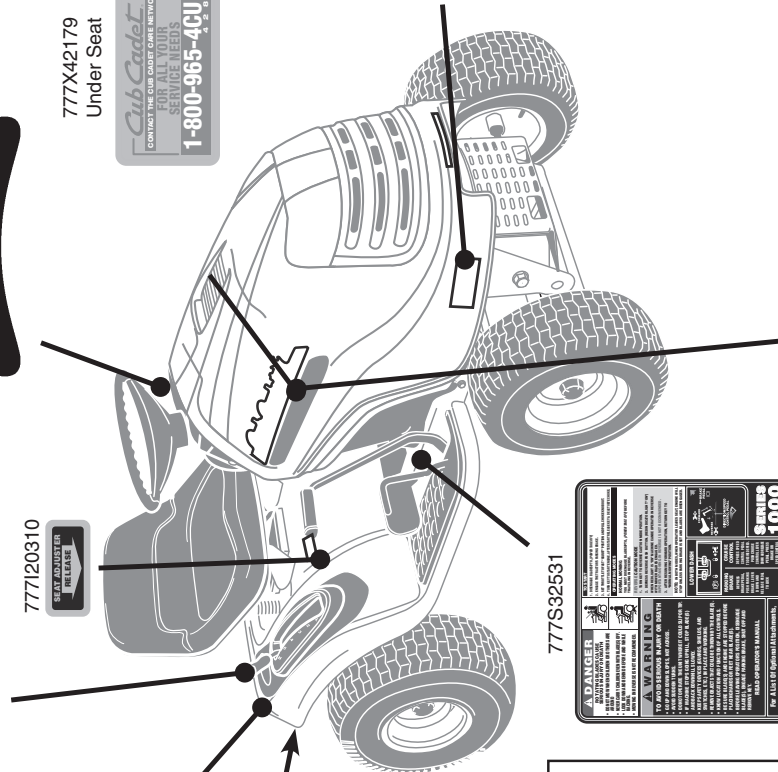


777122452



777X42179
Under Seat

Cub Cadet
CONTACT US FOR ALL YOUR SERVICE NEEDS
1-800-965-4CUB



777D08730



777D08854



777D08732



777D08647



777D09704
Right Side



777D09703
Left Side



777S92531

Deck Labels

777D10624



777S30018



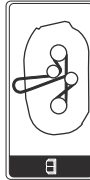
777S30503



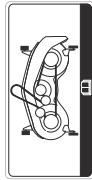
777S30015



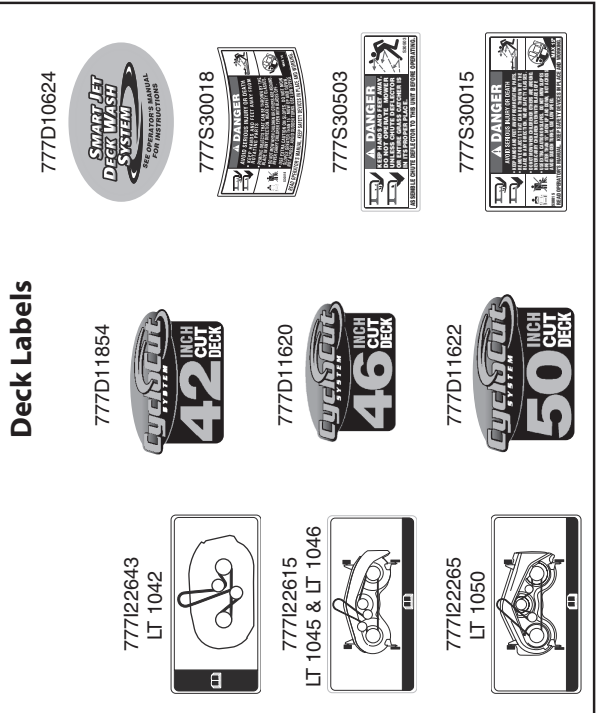
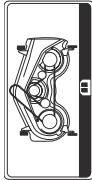
777122643
LT 1042



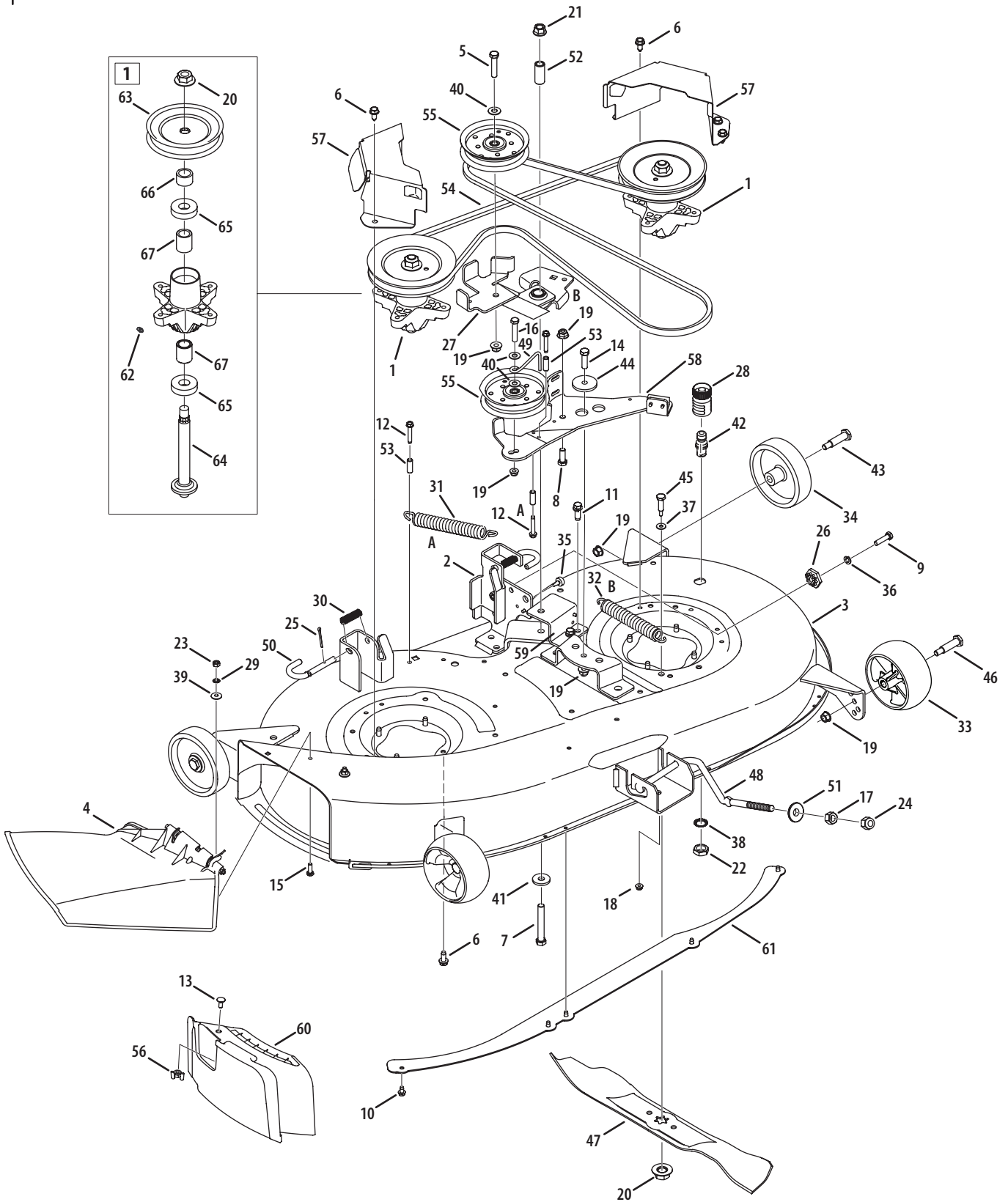
777122615
LT 1045 & LT 1046



777122265
LT 1050



42-Inch Mowing Deck

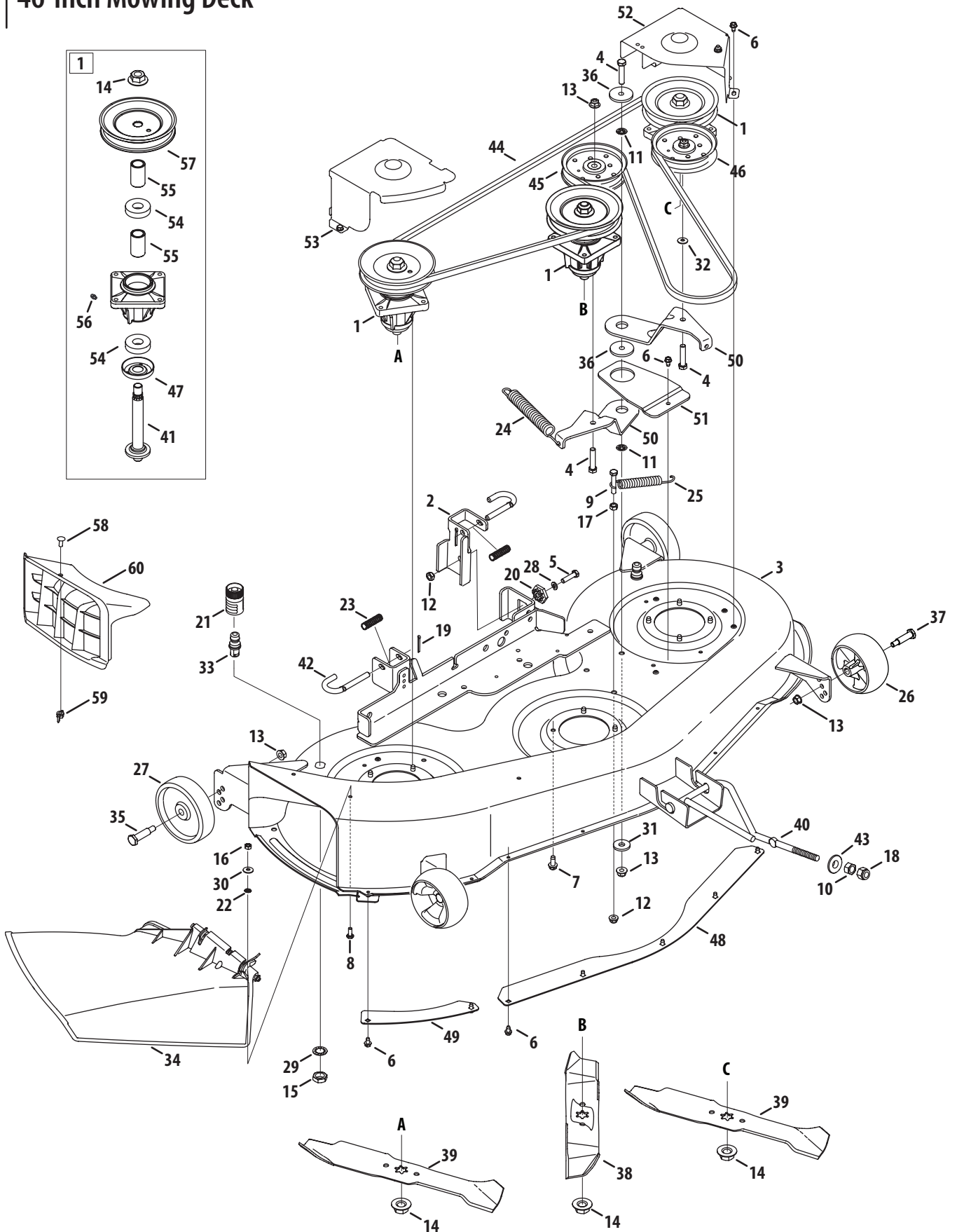


42-Inch Mowing Deck

Ref.	Part Number	Description
1	618-04461	Spindle Assembly
2	683-0254B	Bracket, Deck Hanger LH
3	683-04262	Deck Weldment, 42-inch
4	731-1032B	Chute Assembly, Side Discharge
5	710-0347	Screw, 3/8-16, 1.75
6	710-04484	Screw, Self-tapping, 5/16-18 x .750
7	710-0510	Screw, Hex Cap, 7/16-20, 3.0
8	710-0514	Screw, Hex Cap, 3/8-16, 1.0
9	710-0528	Screw, Self-tapping, 5/16-18 x 1.25
10	710-0599	Screw, Self-tapping, 1/4-20 x .50
11	710-0623	Screw, Self-tapping, 3/8-16 x .75
12	710-0778	Screw, Self-tapping, 1/4-20 x 1.50
13	710-0134	Carriage Screw, 1/4-20, .62
14	710-3005	Screw, 3/8-16, 1.25
15	710-3015	Screw, Hex Cap, 1/4-20, .750, Gr5
16	710-3144	Screw, 3/8-16, 2.0
17	712-0206	Nut, Hex, 1/2-13, Gr5
18	712-04064	Nut, Hx. Nylon Lock, 1/4-20
19	712-04065	Nut, Hx. Nylon Lock, 3/8-16
20	712-0417A	Nut, Flange, 5/8-18
21	712-0459	Nut, Flange Lock, 7/16-20
22	712-0641	Nut, Hex, M16-1.5
23	712-3006	Nut, Hex, 1/4-20, Gr5
24	712-3083	Nut, Hex Lock, 1/2-13
25	714-0470	Pin, Cotter, 1/8 x 1.25
26	717-04074	Adjustment Gear, Deck
27	719-04233	Idler Bracket, Cast
28	721-04041	Coupler, Hose
29	726-0233	Nut, Push, .25 ID x .50 OD
30	732-0306A	Spring, Extension, .531 x 1.75
31	732-04391	Spring, Extension .94 x 7.57
32	732-0459C	Spring, Extension .94 x 6.74
33	734-04155	Wheel Deck 5.0
34	734-0973	Wheel Deck 5.0 x 1.38

Ref.	Part Number	Description
35	735-0271A	Bumper, Rubber
36	736-0119	Washer, Lock, 5/16, Regular Duty
37	736-0173	Washer, Flat, .28 x .74 x .063
38	736-0225	Washer, Lock, Internal Tooth
39	736-0270	Washer, Belleville, .265 x .75 x .062
40	736-0300	Washer, Flat, .406 x .875 x .059
41	736-0322	Washer, Flat, .450 x 1.25 x .164
42	737-04003C	Port, Water
43	738-0373	Screw, Shoulder, .498 x 1.53, 3/8-16
44	738-04162A	Spacer, Shoulder, .8840 x .190
45	738-04272	Screw, Shoulder, .374 x 1.16
46	738-3056	Screw, Shoulder, .498 x 2.50, 3/8-16
47	742-04126	Blade, 21.20 Lg, 3-in-1
48	747-04269A	Rod, Deck, .448" Dia. (42-inch
49	747-04530	Keeper Rod, Belt
50	747-1116	Rod, Handle, Deck Release .375
51	748-04069	Pivot Cup
52	750-04637A	Spacer, .455 x .697 x 1.585
53	750-0566A	Spacer, .260 x .372 x 1.030
54	754-04045	Belt, V-Type
55	756-04129	Pulley, Idler, 4.25 Dia.
56	712-3087	Wing Nut, 1/4-20
57	783-04327B	Cover, Belt
58	783-04491D	Idler Bracket, Pivot
59	783-05490	Support Bracket, Pivot
60	731-2363	Baffle, Mulch
61	783-1146A	Skirt, Deck
62	737-3000	Lube Fitting, 3/16
63	756-1227	Pulley, 6.3 Dia.
64	738-04241	Shaft, Spindle, 5.5
65	741-0919	Ball Bearing, .787 x 1.85 x .551
66	748-04739	Spacer, .820 x 1.15 x .730
67	750-1000	Spacer, 1.322

46-Inch Mowing Deck

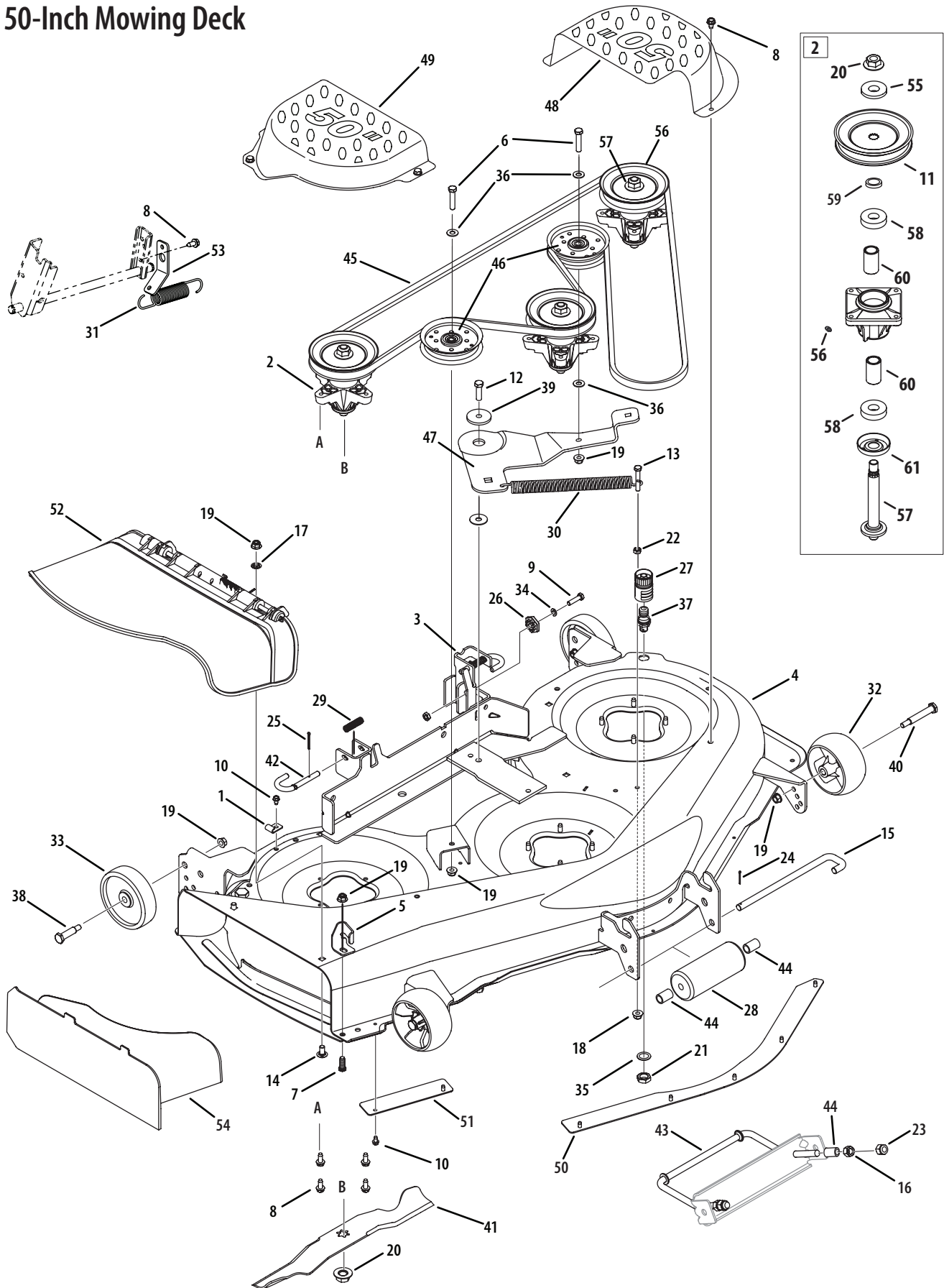


46-Inch Mowing Deck

Ref.	Part Number	Description
1	618-0660	Spindle Assembly
2	683-0254B	Bracket Assembly, Deck Hanger
3	683-04342	Deck Weldment, 46-inch
4	710-0347	Screw, 3/8-16, 1.75
5	710-0528	Screw, 5/16-18, 1.25, Gr5
6	710-0599	Screw, Hex. Wash, 1/4-20, 0.5
7	710-1260A	Self-tapping Screw, 5/16-18 x .75
8	710-3015	Screw, Hex Cap, 1/4-20, .750, Gr5
9	710-3103	Hex Screw, 5/16-18 x 2.0
10	712-0206	Nut, Hex, 1/2-13
11	712-0229	Push Nut, 3/8
12	712-04063	Nut, Nylon Lock, 5/16-18
13	712-04065	Nut, Nylon Lock, 3/8-16
14	712-0417A	Nut, Hex. Flange, 5/8-18
15	712-0641	Nut, Hex, M16-1.5
16	712-3006	Nut, Hex, 1/4-20, Gr5
17	712-3010	Hex Nut, 5/16-18
18	712-3083	Nut, Hex Lock, 1/2-13, Gr8, Nylon
19	714-0111	Cotter Pin, 1.0
20	717-04074	Deck Adjustment Gear
21	721-04041	Coupler, Hose
22	726-0233	Push Nut
23	732-0306A	Compression Spring, 1.75
24	732-0594A	Extension Spring, 7.33
25	732-0826A	Extension Spring, .865 x 4.68
26	734-04155	Deck Wheel, 5.0
27	734-0973	Deck Wheel,
28	736-0119	Washer, Lock, 5/16, Regular Duty
29	736-0225	Washer, Lock, Internal Tooth
30	736-0270	Washer, Belle, .265 x .75 x .062

Ref.	Part Number	Description
31	736-0322	Washer, Flat, .450 x 1.25 x .164
32	736-0310	Washer, Flat, .407 x .812 x .135
33	737-04003C	Port, Water
34	731-1032B	Chute Assembly, Side Discharge
35	738-0373	Shoulder Screw
36	738-04162A	Spacer, Shoulder, .884 x .190
37	738-3056	Shoulder Screw, .496 x 2.50, 3/8-16
38	742-04124	Blade, 14.88
39	742-04125	Blade, 16.28
40	747-04645	Deck Rod, 46" Deck
41	738-1186	Shaft, Spindle, 5.75
42	747-1116	Rod, Handle, Deck Release
43	748-04069	Pivot Cup
44	754-04153	Belt, V-Type
45	756-04129	Idler Pulley, 4.25"
46	756-0627D	Pulley, Idler, 3.5"
47	17983	Bearing Shield
48	783-0141	Deck Skirt, Center
49	783-0142	Deck Skirt, RH
50	783-05118	Bracket, Idler
51	783-05463	Support Bracket, Idler
52	783-0747B	Belt Cover, LH
53	783-0805C	Belt Cover, RH
54	741-0919	Ball Bearing, .787 x 1.85 x .551
55	750-0952	Spacer, 1.8
56	737-3000	Lube Fitting, 3/16
57	756-1188	Pulley, 5.75 Dia.
58	710-0134	Carriage Screw, 1/4-20, .62
59	712-3087	Nut, Wing, 1/4-20
60	731-05264	Mulch Plug

50-Inch Mowing Deck

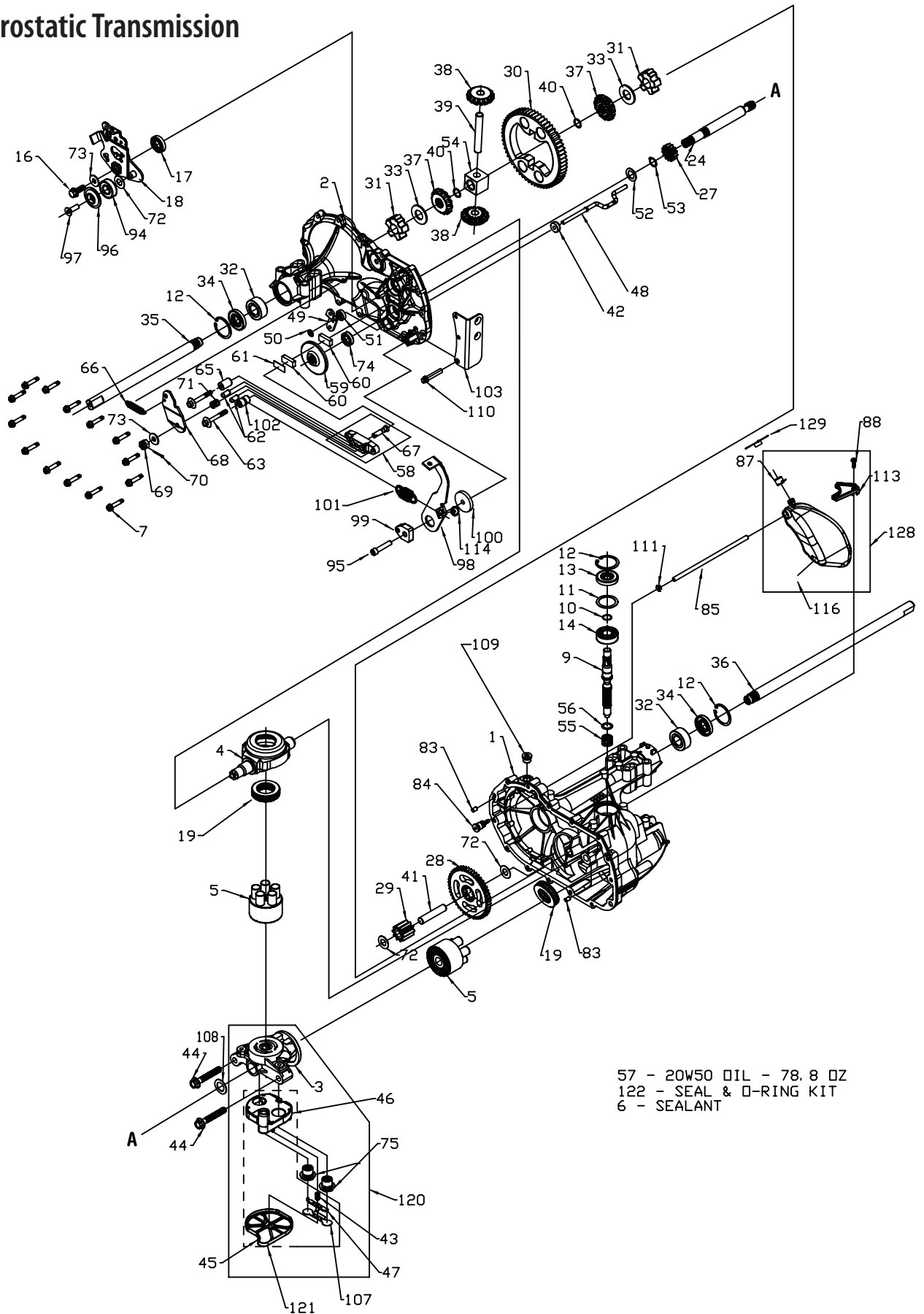


50-Inch Mowing Deck

Ref.	Part Number	Description
1	16606	Hook, Retainer
2	618-04126A	Spindle Assembly
3	683-0254B	Hanger Bracket Assembly
4	683-04075B	Weldment, 50-inch Deck
5	703-3279	Chute Stop
6	710-0347	Screw, 3/8-16, 1.75
7	710-04095	Screw, 3/8-16 x 1.0
8	710-04484	Screw, 5/16-18 x .75
9	710-0528	Screw, 5/16-18, 1.25, Gr5
10	710-0599	Screw, 1/4-20 x 0.5
11	756-04216	Pulley, 5.39"
12	710-3005	Screw, 3/8-16, 1.25
13	710-3103	Screw, 5/16-18 x 2.00
14	710-3178	Screw, Carriage, 3/8-16 x .75
15	711-1737	Roller Pin
16	712-0206	Hex Nut, 1/2-13, Gr5
17	712-0229	Push Nut, 3/8
18	712-04063	Nut, Nylon Lock, 5/16-18
19	712-04065	Nut, Nylon Lock, 3/8-16
20	712-0417A	Nut, Hex, Flange, 5/8-18
21	712-0641	Nut, Hex, M16-1.5
22	712-3010	Nut, Hex, 5/16-18, Gr5
23	712-3083	Nut, Hex, 1/2-13, GrB
24	714-0111	Pin, Cotter, 3/32, 1.0
25	714-0470	Pin, Cotter, 1/8 x 1.25
26	717-04074	Deck Adjustment Gear
27	721-04041	Coupler, Hose
28	731-05679	Roller
29	732-0306A	Spring, Compression, .531 x 1.75
30	732-0459C	Spring, Extension, .94 x 6.74
31	732-0934	Spring, Extension, 1.15 x 5.99

Ref.	Part Number	Description
32	734-04155	Deck Wheel, 5.0
33	734-0973	Deck Wheel, 5.0
34	736-0119	Washer, Lock, 5/16
35	736-0225	Washer, Lock, 5/8 Internal tooth
36	736-0300	Washer, Flat, .406 x .875 x .059
37	737-04003D	Port, Water
38	738-0373	Shoulder Screw, .496 x 1.525, 3/8-16
39	738-04162A	Spacer, Shoulder, .884 x .190
40	738-3056	Shoulder Screw, .496 x 2.50, 3/8-16
41	742-04053C	Blade, 17.90 Lg. Star hole, 2 in 1
42	747-1116	Rod, Deck Release .375 Dia.
43	747-1324	Rod, Deck .5" Dia. (50-inch Decks)
44	750-0151	Spacer, .550 x .755 x 1.1
45	754-04164	Belt, V-Type
46	756-04129	Pulley, Idler, 3.5"
47	783-05474	Idler Bracket
48	783-04399	LH Belt Cover
49	783-04400	RH Belt Cover
50	783-04414A	Deck Skirt, Center
51	783-04415	Deck Skirt, RH
52	631-04070A	Chute Assembly, Side Discharge
53	783-04462	Lift Bracket, 50" Deck
54	731-04651	Mulch Plug, 50" Deck
55	736-0315	Washer, Flat, .760 x 1.5 x .120
56	737-3000	Lube Fitting, 3/16
57	738-1010A	Shaft, Spindle, 5.75
58	741-0919	Ball Bearing, .787 x 1.85 x .551
59	748-0160A	Spacer, .790 x 1.25 x .175
60	750-1000	Spacer, .800 x 1.10 x 1.322
61	750-1349A	Spacer, .79 x 1.84 x .55

Hydrostatic Transmission



Hydrostatic Transmission

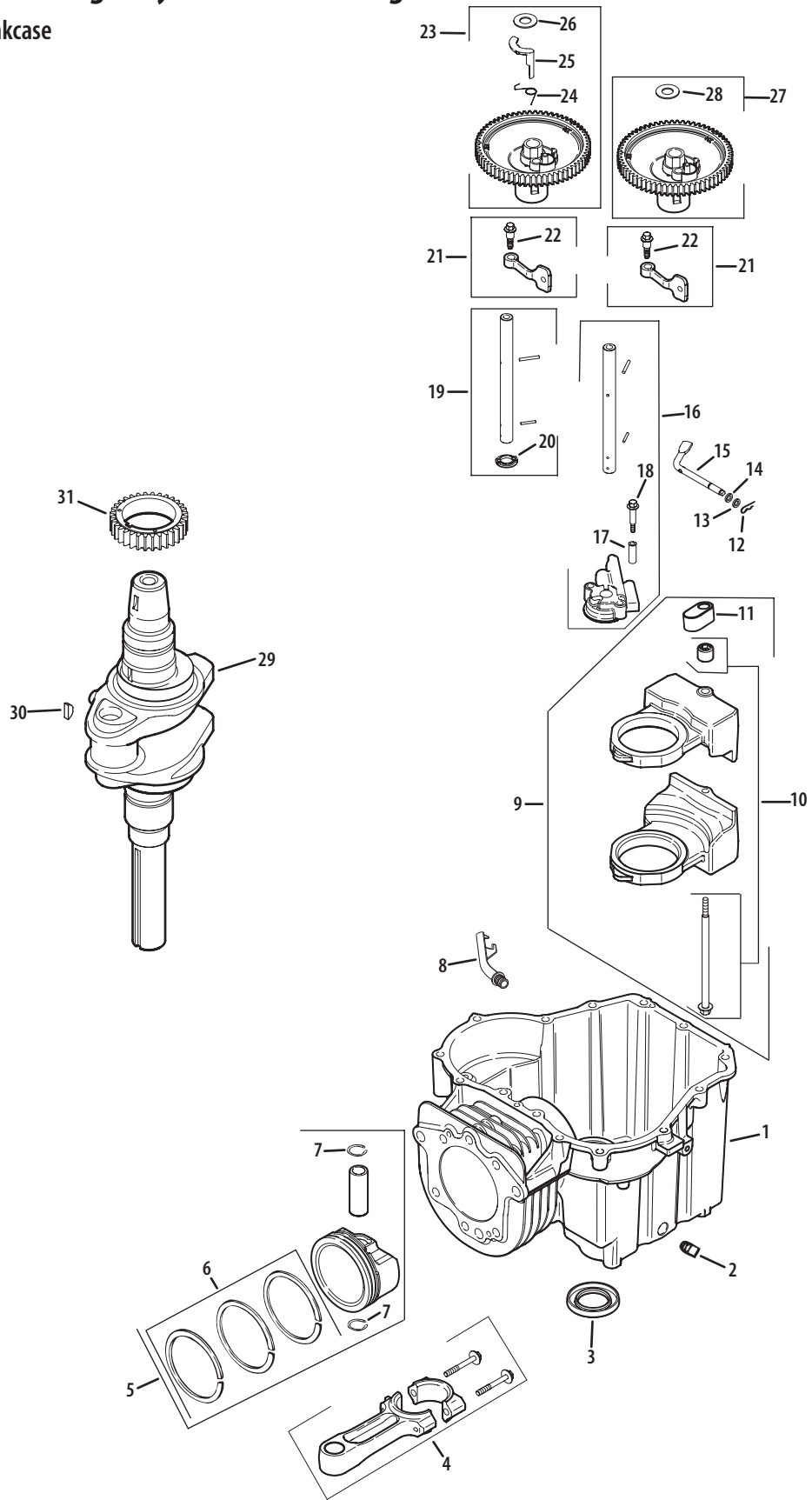
ITEM	PART NUMBER	QTY	DESCRIPTION
1	70467	1	MAIN HOUSING, ASSEMBLY
		1	MAIN HOUSING, MACHINED
		1	BUSHING .865 X .985 X .790
2	70483	1	SIDE HOUSING, ASSEMBLY
		1	SIDE HOUSING, MACHINED
		1	BUSHING .865 X .985 X .790
		1	BUSHING .624 X .719 X .562
3	70477	1	CENTER SECTION, ASSEMBLY
		1	CENTER SECTION, MACHINED
		1	BUSHING .707 X .788 X .591
4	51048	1	SWASHPLATE, TRUNNION MACHINED
5	70331	2	BLOCK - ASSEMBLY
		1	BLOCK - CYLINDER
		5	PISTON
		5	SPRING, COMPRESSION
		5	WASHER - THRUST
6	50928	10.5 DZ	SEALANT
7	51190	14	HEX FLANGE SCREW 1/4-20 X 1.25
9	51062	1	SHAFT, INPUT
10	2000022	1	RING - RETAINING
11	50951	1	SPACER
12	50329	3	RING - RETAINING
13	51161	1	SEAL, LIP .67 X 1.58 X .276
14	50315	1	BALL BRG 17MM ID X 40MM OD X 12MM
16	51064	1	BOLT, HEX FLANGE HEAD 5/16-24 X .94 (PATCH)
17	51140	1	LIP SEAL 18 X 32 X 7
18	51119	1	ARM, CONTROL
19	50551	2	BEARING, 30X52X13 THRUST
24	50966	1	SHAFT, MOTOR
27	51130	1	GEAR - PINNION, 13T
28	51129	1	10T/48T GEAR
29	51043	1	GEAR, 10T JACKSHAFT
30	51044	1	60T BULL GEAR
31	51088	2	SLEEVE BEARING .75 X 1.750 X .625
32	51089	2	SLEEVE BEARING (OUTBOARD) .75 X 1.575 X .625
33	44875	2	WASHER, 3/4 ID X 1-1/2 OD X .13 THK
34	51066	2	LIP SEAL AXLE SEAL
35	51079	1	SHAFT, AXLE .75 X 11.39 (DD, R.H.)
36	51078	1	SHAFT, AXLE .75 X 17.99 (DD, L.H.)
37	44096	2	MITER GEAR (SPLINED)
38	44097	2	MITER GEAR 15T (0.5 ID)
39	50146	1	SHAFT
40	44871	2	RING, SPIRAL RETAINING
41	51083	1	PIN, JACKSHAFT
42	51100	1	MAGNET, RING
43	51136	1	SPRING, BYPASS
44	50016	2	HYDRO MTG SCREW 3/8-24 X 2.5 LONG
45	51581	1	BOTTOM, FILTER
46	51580	1	BASE, FILTER W/ POPPET
47	51091	1	ACTUATOR, BYPASS
48	51098	1	ROD, BYPASS ACTUATOR
49	51135	1	ARM, BYPASS
50	51116	1	RETAINING RING 0.250 EXTERNAL
51	51081	1	SEAL, LIP .741 X .250 X .250 TC
52	44371	1	FLAT WASHER, 5/8 ID X 1.0 OD X .05 THK
53	44145	1	RETAINING RING
54	51071	1	BEARING, CENTER BLOCK
55	2003014	1	SPRING - HELICAL COMPRESSION
56	2003017	1	WASHER
57		78.8 DZ	20W-50 OIL
58	62589	1	KIT, BRAKE YOKE
		1	BRAKE YOKE
		1	SQ. HD. BOLT 5/16-24 RIBBED
59	51072	1	ROTOR, BRAKE
60	44132	2	BRAKE PUCK
61	44134	1	PUCK PLATE
62	44127	2	BRAKE ACTUATING PIN

ITEM	PART NUMBER	QTY	DESCRIPTION
63	51146	2	HFHCS 1/4-20 X 2 W/PATCH, SPECIAL FLANGE
65	23711	1	SPACER
66	70896	1	KIT, SPRING
67	44138	1	SQ. HD. BOLT 5/16-24- RIBBED
68	44094	1	ARM, BRAKE
69	44142	1	SLOTTED HEX NUT 5/16-24
70	44101	1	COTTER PIN 3/32 X 3/4
71	50919	1	COMPRESSION SPRING BRAKE ANTI-DRAW
72	50132	3	WASHER, HT .5 I. D. X 1 D. D. X .032
73	44130	2	FLAT - WASHER 11/32 I. D. X 7/8 D. D
74	70719	1	KIT, SEAL
		1	OIL SEAL .625 X 1.0 X .25
		1	RING, RET-STAR WASHER
		1	BULLETIN, SHAFT SEAL
75	51084	2	CHECK PLUG ASSEMBLY, .027, WASHER
83	9004800-2506	2	PIN, STANDARD HEADLESS
84	51143	1	FITTING, 5/16 SAE 5/32 TUBE
85	51147	1	HOSE, EXPANSION TANK
87	51251	1	CAP, VENT
88	50653	1	BOLT, SELF TAPPING 10-32 X 1/2
94	44147	1	BALL BEARING .62 ID X 1.38 X .44
95	50837	1	SOCKET HEAD CAP SCREW, 5/16-24 X 1-1/2
96	51200	1	SPACER, LOCATING
97	50870	1	SCREW, SFHCS
98	51120	1	ARM, RETURN
99	51097	1	PUCK, ADJUSTING
100	51122	1	WASHER, .325 OD X 1.60 ID X .150 W
101	51131	1	SPRING, EXTENSION
102	51123	1	SPACER .560 OD X .260 ID X .870
103	51223	1	BRACKET, TORQUE
107	51134	1	DEFLECTOR
108	51069	1	WASHER, MOTOR SHAFT .71 ID X 1.15 OD X .030 THK
109	9005110-5600	1	PLUG, SAE #6
110	50868	1	TDRX HEAD SCREW, 5/16-18 T.F.
111	51144	1	O-RING .07 X .301 ID
113	51179	1	BRACKET, SUPPORT EXPANSION TANK
114	51184	1	SPRING GUIDE
116	51196	1	SILICON SPONGE
120	70759	1	CENTER SECTION - FILTER - BYPASS ASSEMBLY
		1	CENTER SECTION MACHINED
		1	BASE FILTER W/ POPPET
		2	CHECK PLUG ASSEMBLY
		1	SPRING, BYPASS
		1	ACTUATOR, BYPASS
		1	DEFLECTOR
		1	BOTTOM, FILTER
		1	BUSHING, .707 X .788 X .591
121	70756	1	FILTER ASSEMBLY
		1	BOTTOM, FILTER
		1	BASE, FILTER W/ POPPET
		1	SPRING, BYPASS
		1	ACTUATOR, BYPASS
		1	DEFLECTOR
122	70463	1	SEAL - O-RING KIT
128	70503	1	KIT, EXPANSION TANK
		1	TANK, EXPANSION
		1	CAP, VENT
		1	BOLT, SELF TAPPING 10-32 X 1/2
		1	BRACKET, SUPPORT EXPANSION TANK
		1	SILICON SPONGE 1/2 X 1/2 X 3/16
129	51252	1	CAP, EXPANSION TANK SHIPPING

NOTE: Include a HG- prefix when ordering replacement transmission parts (i.e. HG-70467).

SV590 & SV600 Single-Cylinder Kohler Engine

Crankshaft & Crankcase



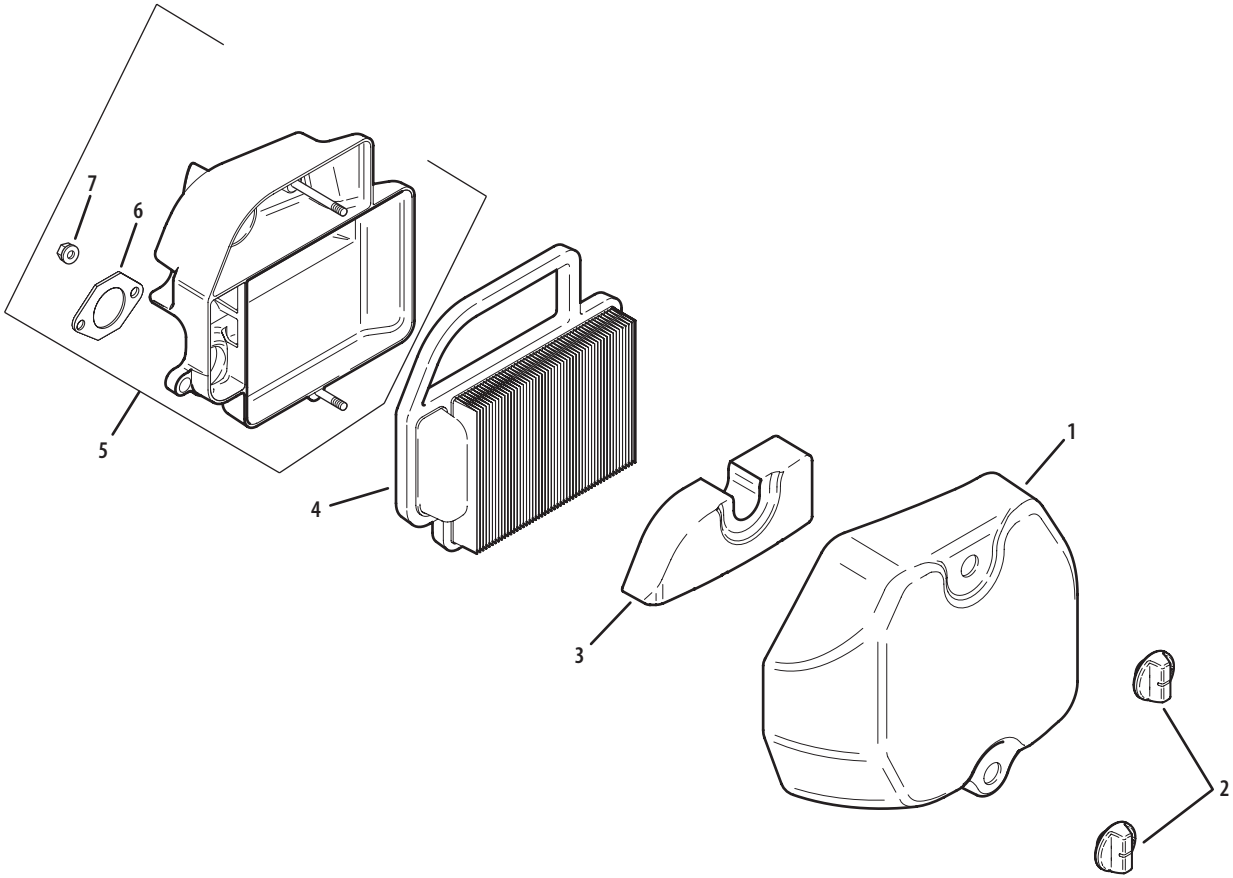
SV590 & 600 Single-Cylinder Kohler Engine

Crankshaft & Crankcase

Ref.	Part Number	Description
1	—	Crankcase - Use Short Block
2	KH-25-139-57-S	Plug, sq. hd. pipe 3/8"
3	KH-20-032-01-S	Seal, oil
4	KH-20-067-04-S	Rod, connecting
5	KH-20-874-01-S	Piston w/ Ring Set (Includes 6,7)
6	KH-20-108-01-S	Ring Set (89 mm)
7	KH-20-018-04-S	Retainer, piston pin
8	KH-20-123-02-S	Tube, drainback
9	KH-20-755-04-S	Kit, balance weight (Includes 10,11)
10	KH-20-380-16-S	Kit, screw/guide pin
11	KH-20-423-02-S	Shoe, guide
12	KH-12-154-05-S	Clip, hitch pin
13	KH-M-631015-S	Washer, plain
14	KH-X-25-102-S	Washer, plain
15	KH-20-144-02-S	Shaft, governor cross
16	KH-20-393-02-S	Pump assembly, oil (Includes 17-18)
17	KH-20-112-02-S	Spacer, oil pump screw
18	KH-20-086-13-S	Screw, oil pump
19	KH-20-144-06-S	Shaft center, cam – Exhaust
20	KH-20-468-01-S	Washer, thrust
21	KH-20-090-01-S	Lever assembly, cam (2) (Includes 22)
22	KH-20-086-06-S	Screw, shoulder
23	KH-20-010-04-S	Gear assembly, cam (Includes 24-26)
24	KH-20-089-06-S	Spring, ACR
25	KH-20-044-16-S	Weight, ACR
26	KH-20-468-03-S	Washer, thrust – ACR
27	KH-20-010-04-S	Camshaft Assembly Kit (Includes 28)
28	KH-468-03-S	Thrust Washer - ACR
29	KH-20-014-20-S	Crankshaft
30	KH-X-42-15-S	Key 3/16"
31	KH-20-043-12-S	Gear, crankshaft

SV590 & SV600 Single-Cylinder Kohler Engine

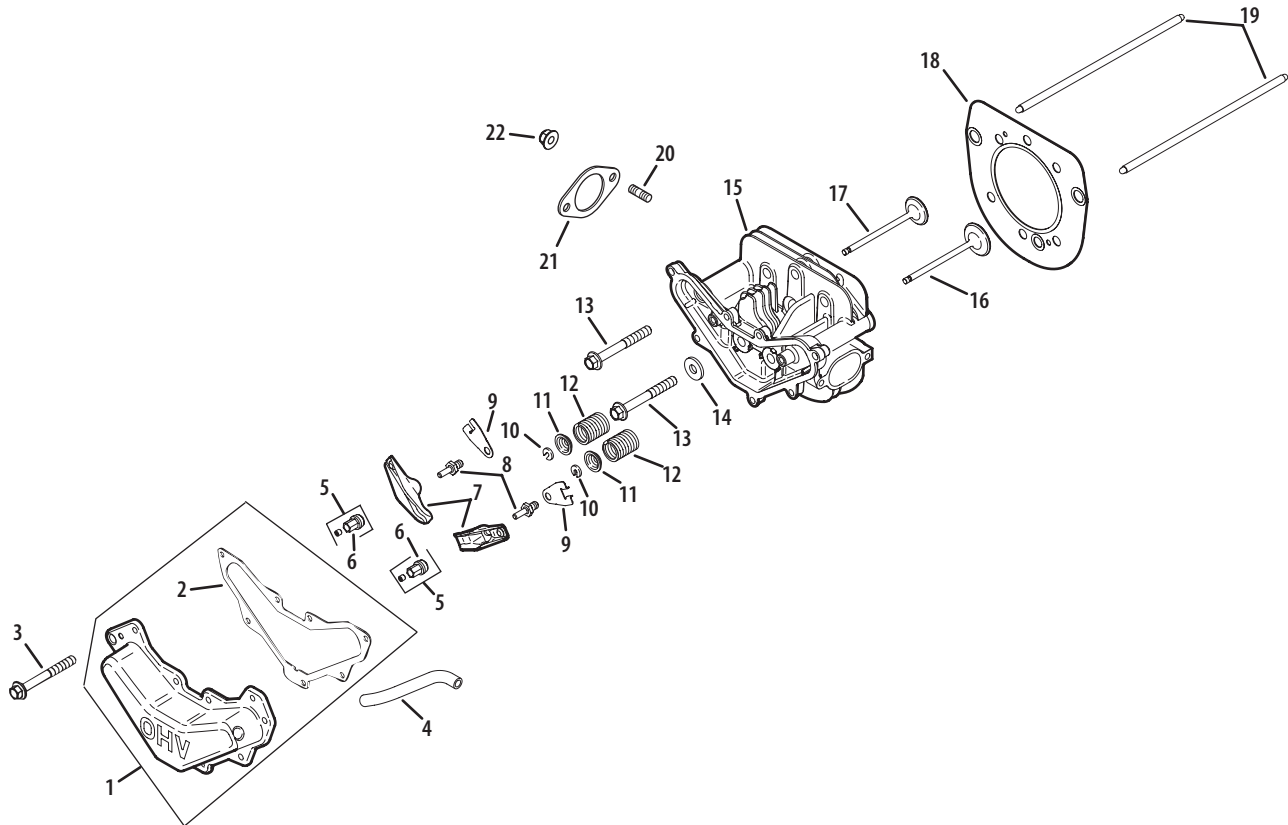
Air Intake / Filtration



Ref.	Part Number	Description
1	KH-20-096-04-S	Cover, air cleaner
2	KH-25-341-05-S	Knob, cover
3	KH-20-083-03-S	Element, precleaner
4	KH-20-083-02-S	Element, air cleaner
5	KH-20-094-01-S	Kit, air cleaner base (Includes 6 & 7)
6	KH-12-041-02-S	Gasket, air cleaner base
7	KH-M-641060-S	Nut, hex, flange M6 x 1.0

SV590 & SV600 Single-Cylinder Kohler Engine

Cylinder Head

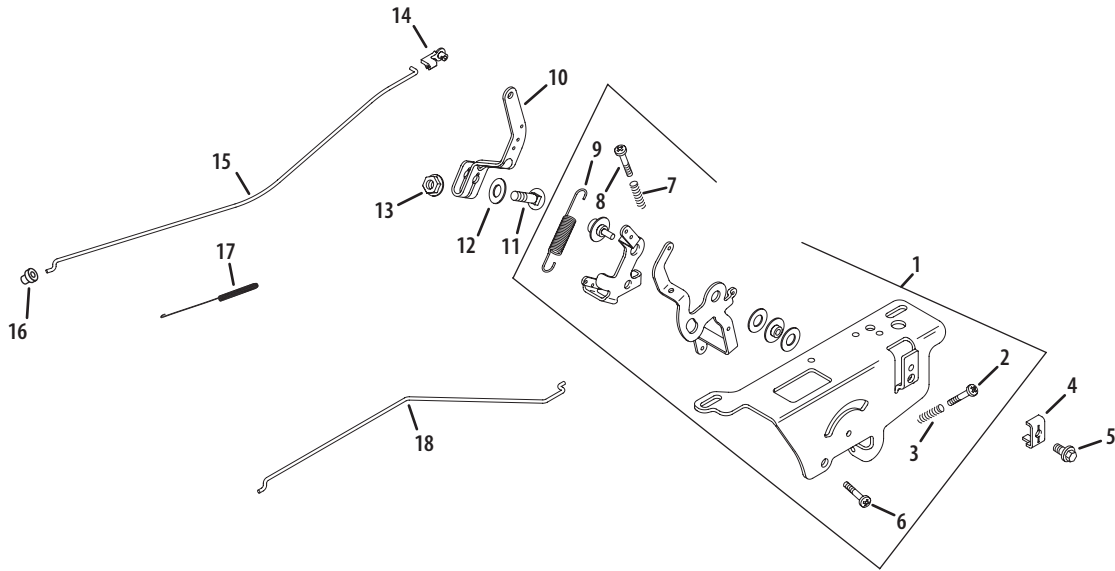


Ref.	Part Number	Description
1	KH-20-096-07-S	Kit, valve cover (Includes 2)
2	KH-20-041-13-S	Gasket, valve cover
3	KH-M-645020-S	Screw, hex. flange M6x1.0x20
4	KH-20-326-20-S	Hose, breather
5	KH-20-599-01-S	Rocker Arm Kit (Includes 6)
6	KH-20-086-04-S	Screw, Set
7	KH-20-186-01-S	Arm, rocker
8	KH-20-072-08-S	Stud, rocker
9	KH-20-146-03-S	Plate, push rod guide
10	KH-20-062-01-S	Lock, retainer
11	KH-20-173-01-S	Cap, valve spring

Ref.	Part Number	Description
12	KH-20-089-03-S	Spring, valve
13	KH-20-086-02-S	Screw, hex. flange M10x1.5x37
14	KH-12-468-05-S	Washer, flat 1/2"
15	KH-20-318-07-S	Head, cylinder
16	KH-20-016-01-S	Valve, exhaust
17	KH-20-017-01-S	Valve, intake
18	KH-20-841-01-S	Kit, head gasket, (Incl. 2, 13 & 14)
19	KH-20-411-04-S	Rod, push
20	KH-25-072-04-S	Stud, exhaust
21	KH-24-041-49-S	Gasket
22	KH-M-0841080-S	Nut, hex flange M8x1.25

SV590 & SV600 Single-Cylinder Kohler Engine

Engine Controls

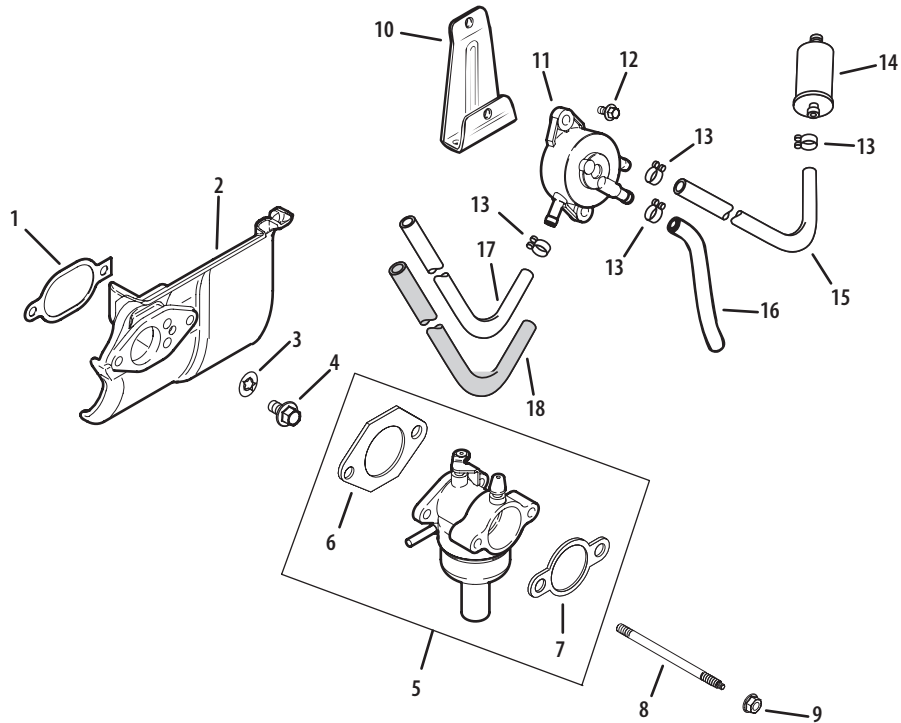


Ref.	Part Number	Description
1	KH-20-536-05-S	Control Assbly., speed (Incl. 2,3, 6, 7)
2	KH-20 086 10-S	Screw, Thread Forming M4x 0.7 x 25
	KH-20 086 18-S	Screw, Thread Forming M4x 0.7 x 38
3	KH-12 089 11-S	Spring, Speed Control (Short)
	KH-20 089 12-S	Spring, Speed Control (Long)
4	KH-12-237-01-S	Clamp, cable
5	KH-M-545016-S	Screw, hex flange
6	KH-M-664020-S	Screw, 6 lobed socket
7	KH-12-089-11-S	Spring, Speed Control (Short)
8	KH-20-086-10-S	Screw, thread forming M4x0.7x25

Ref.	Part Number	Description
9	KH-20-089-11-S	Spring, speed control
10	KH-20-090-02-S	Lever, governor
11	KH-52-211-04-S	Bolt, round head square neck
12	KH-X-22-11-S	Washer, internal tooth lock 1/4"
13	KH-12-100-07-S	Nut, hex. flange 1/4-20"
14	KH-25-158 -11-S	Bushing, throttle linkage
15	KH-20-079-04-S	Linkage, throttle
16	KH-25-158-08-S	Bushing, linkage retaining
17	KH-20-089-10-S	Spring, Linkage
18	KH-20-079-05-S	Linkage, Choke

SV590 & SV600 Single-Cylinder Kohler Engine

Fuel System

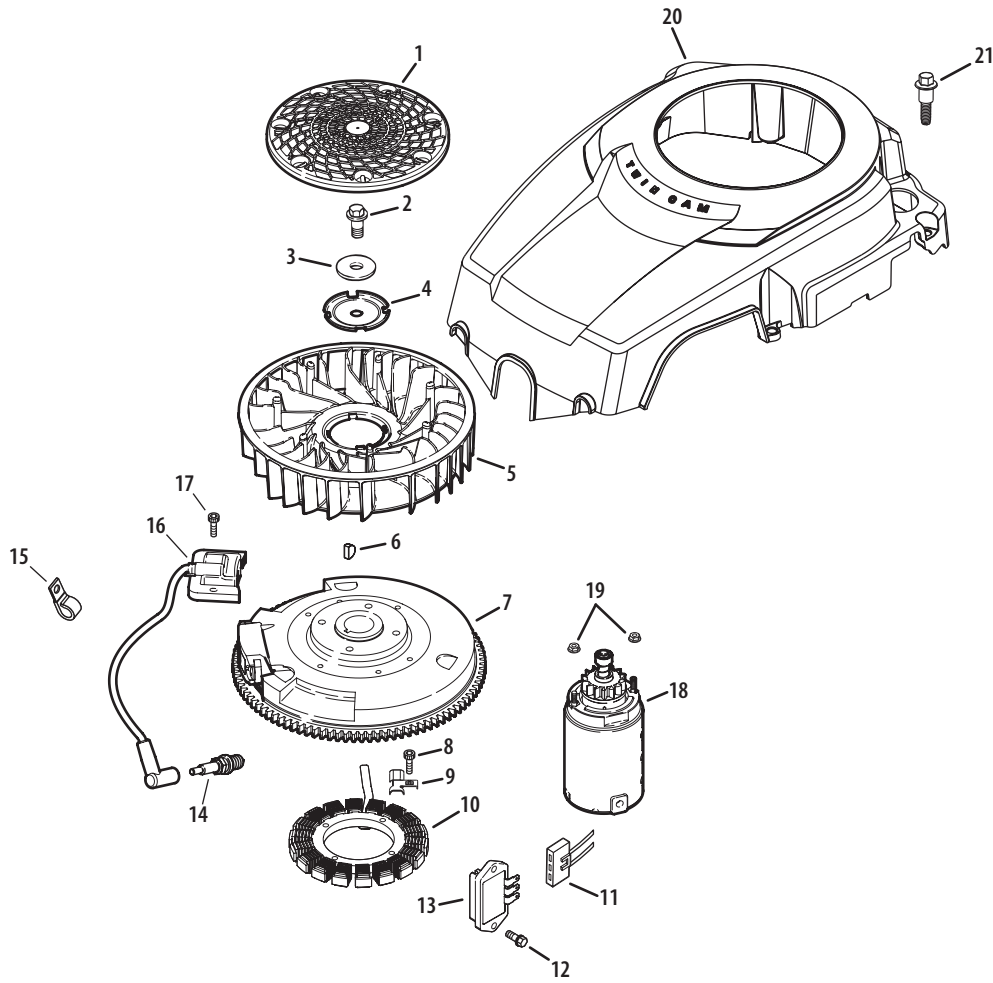


Ref.	Part Number	Description
1	KH-20-041-07-S	Gasket, heat deflector
2	KH-20-265-01-S	Deflector, heat
3	KH-X-22-11-S	Washer, Int. Tooth Lock, 1/4" (SV590)
4	KH-M-651020-S	Screw, hex. flange M6x1.0x20
5	KH-20-853-14-S	Carburetor w/gaskets (Includes 6, 7)
6	KH-12-041-01-S	Gasket, carburetor
7	KH-12-041-02-S	Gasket, air cleaner
8	KH-20-072-05-S	Stud, carburetor mounting
9	KH-M-641060-S	Nut, hex. flange M6x1.0
10	KH-20-126-02-S	Bracket, fuel pump mounting
11	KH-24-393-16-S	Pump, fuel
12	KH-M-545010-S	Screw, hex. flange
13	KH-25-237-14-S	Clamp, hose
14	KH-25-050-22-S	Filter, fuel

Ref.	Part Number	Description
15	KH-25-353-06-S	Line, fuel 15.75" (pump to filter)
16	KH-20-353-01-S	Line, fuel 4" (pump to carb)
17	KH-52-353-20-S	Line, fuel 10" (pulse to fitting)
18	KH-20-431-02-S	Sleeve, Anti-Abrasion (SV590)
NOT ILLUSTRATED		
	KH-12-755-110-S	Kit, choke shaft
	KH-12-757-02-S	Kit, float
	KH-12-757-03-S	Kit, carburetor repair
	KH-12-757-33-S	Kit, solenoid repair
	KH-12-757-37-S	Kit, bowl replacement w/gaskets
	KH-20-755-06-S	Kit, High Altitude (5K ft) (Incl. 5,6)
	KH-20-755-07-S	Kit, High Altitude (10K ft) (Incl. 5,6)

SV590 & SV600 Single-Cylinder Kohler Engine

Engine Controls

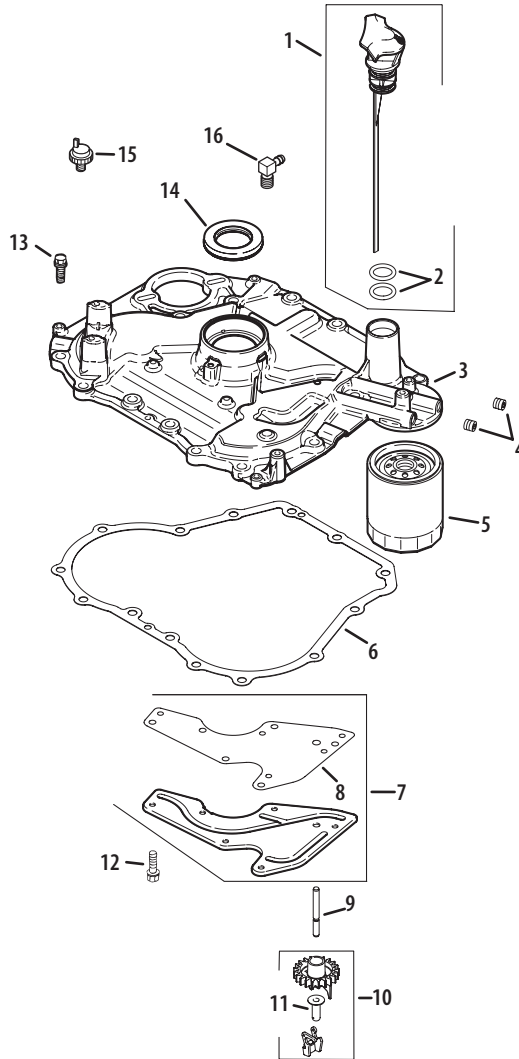


Ref.	Part Number	Description
1	KH-20-162-02-S	Screen, grass
2	KH-25-086-125-S	Screw, hex. flange M10-1.5 x 46
3	KH-25-468-09-S	Washer, flat
4	KH-20-146-05-S	Plate, fan mounting
5	KH-20-157-01-S	Fan
6	KH-X-42-15-S	Key, woodruff
7	KH-20-025-40-S	Flywheel
8	KH-20-086-22-S	Screw, hex. socket M5-0.8 x 25
9	KH-20-154-04-S	Clip, wire
10	KH-237878-S	Kit, stator
11	KH-25-155-41-S	Connector, body (3 contact)
12	KH-M-545020-S	Screw, hex. flange M5-0.8 x 20

Ref.	Part Number	Description
13	KH-41-403-10-S	Rectifier-regulator
14	KH-12-132-02-S	Plug, spark
15	KH-20-237-01-S	Clip, cable
16	KH-20-584-03-S	Module, ignition
17	KH-M-561025-S	Screw, hex socket M5 x 0.8 x 25
18	KH-20-098-05-S	Starter Ass'y, inertia drive
19	KH-25-100-31-S	Nut, hex. serrated flange #10-24
20	KH-20-027-07-S	Housing, blower
21	KH-20-086-06-S	Screw, shoulder
NOT ILLUSTRATED		
	KH-20-176-09-S	Harness, wiring

SV590 & SV600 Single-Cylinder Kohler Engine

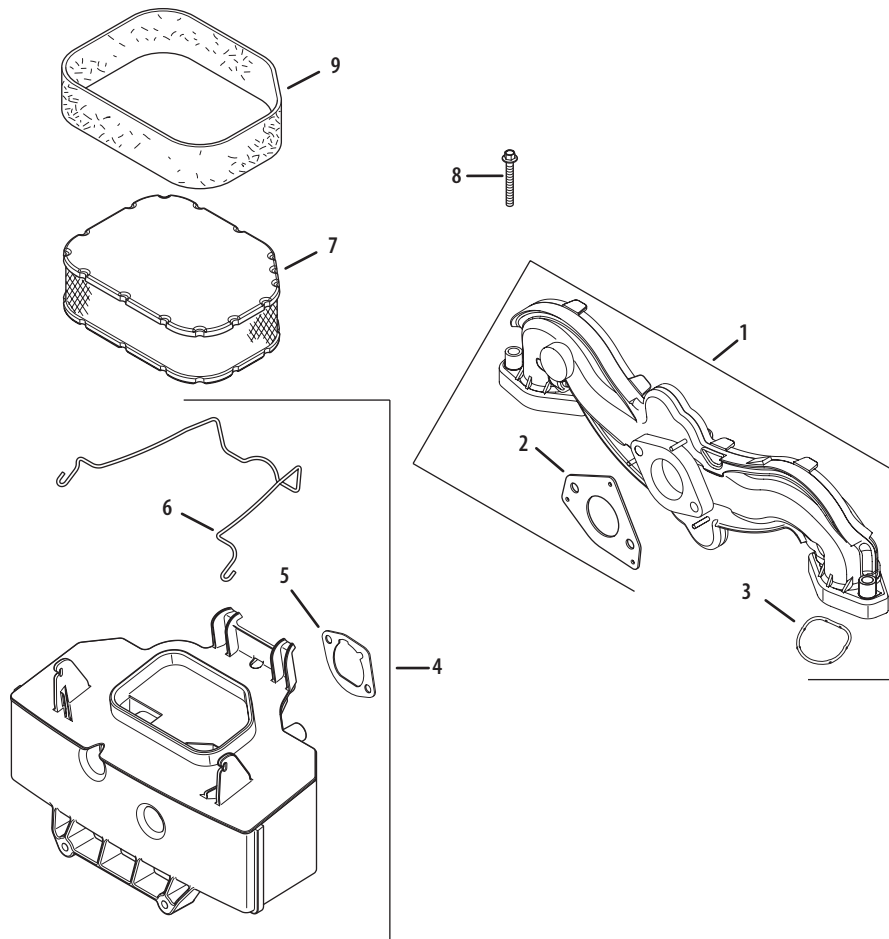
Oil Pan / Lubrication



Ref.	Part Number	Description	Ref.	Part Number	Description
1	KH-20-040-03-S	Kit, dipstick assembly (Includes 2)	9	KH-20-144-03-S	Shaft, governor gear
2	KH-20-153-01-S	O-Ring, dipstick	10	KH-25-310-01-S	Kit, gear & weight assembly (Incl. 11)
3	KH-20-009-21-S	Plate assembly, closure (Incl. 4,10,11)	11	KH-12-380-01-S	Pin, governor regulating
4	KH-25-139-60-S	Plug, pipe	12	KH-M-545013-S	Screw, hex. flange M5x0.8x13
5	KH-52-050-02-S	Filter, oil	13	KH-25-086-127-S	Screw, hex. flange M8x1.25x30
6	KH-20-041-01-S	Gasket, closure plate	14	KH-20-032-01-S	Seal, oil
7	KH-20-096-02-S	Kit, oil passage cover (Includes 8)	15	KH-25-099-27-S	Switch, pressure
8	KH-20-041-02-S	Gasket, oil passage	16	KH-25-054-13-S	Elbow, street

SV720 & SV730 Twin-Cylinder Kohler Engine

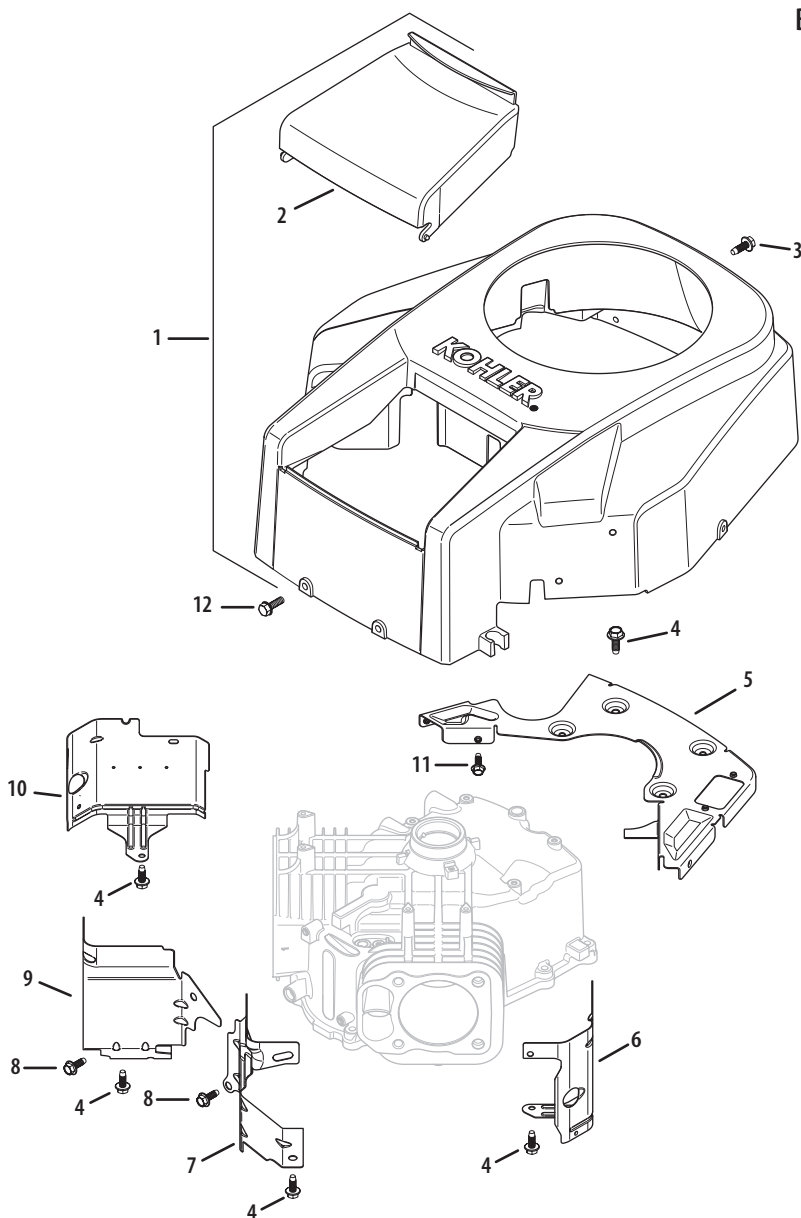
Air Intake / Filtration



Ref.	Part Number	Description
1	KH-24-164-51-S	Manifold, intake (Includes 2,3)
2	KH-24-041-52-S	Gasket, carburetor
3	KH-24-153-27-S	O-Ring, intake port
4	KH-32-094-04-S	Base, air cleaner (Includes 5,6)
5	KH-24-041-14-S	Gasket, air cleaner base
6	KH-32-344-02-S	Latch, air cleaner element
7	KH-32-083-03-S	Element, air cleaner
8	KH-M-651040-S	Screw, hex. flange M6x1.0x40
9	KH-32-083-05-S	Pre-cleaner, element

SV720 & SV730 Twin-Cylinder Kohler Engine

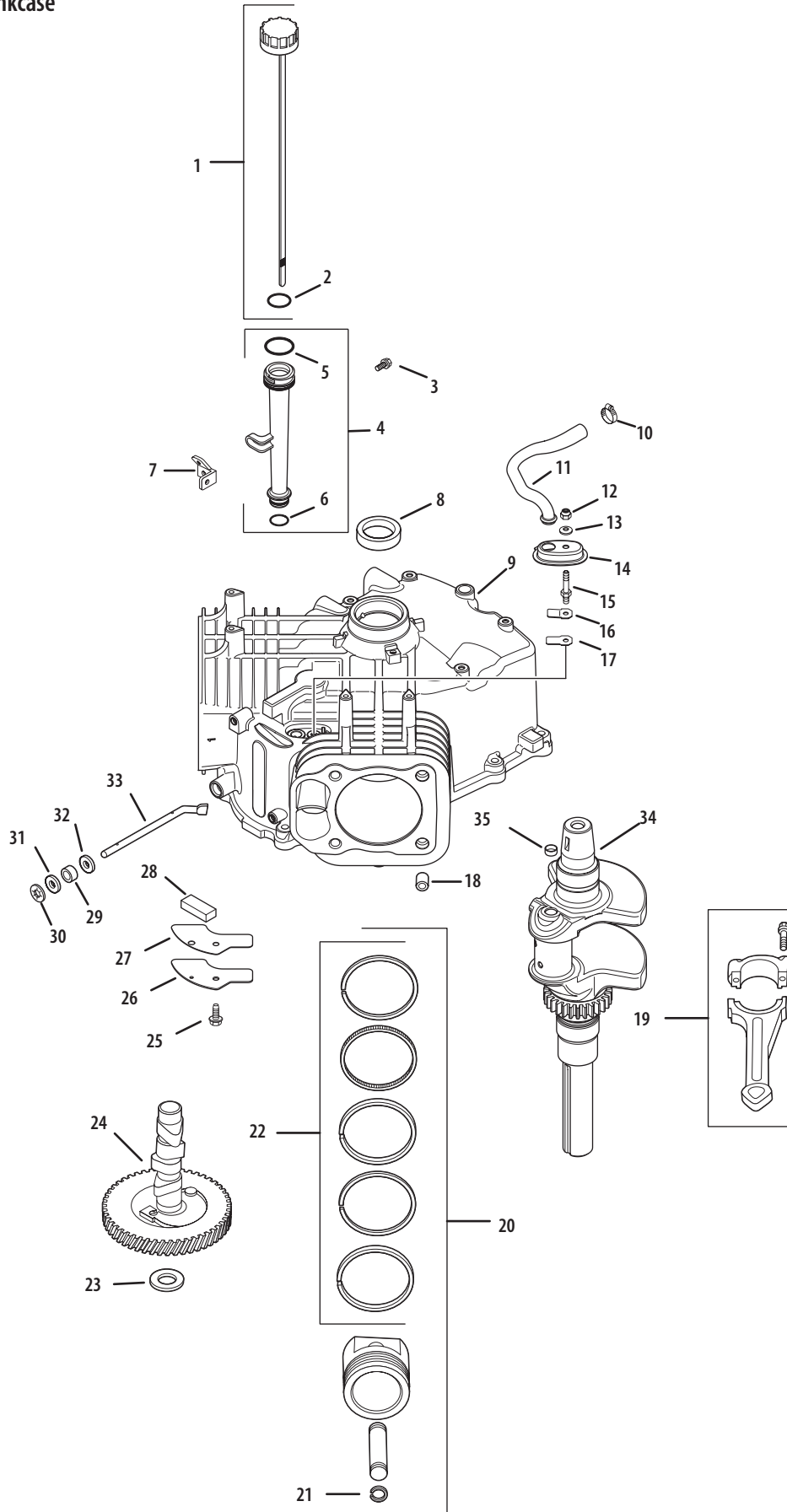
Blower Housing & Baffles



Ref.	Part Number	Description
1	KH-32-027-03-S	Housing, blower (Includes 2, 41 037 10-S)
2	KH-32-096-08-S	Cover, air cleaner
3	KH-M-545016-S	Screw, hex. flange M5x0.8x16
4	KH-M-645016-S	Screw, hex. flange M6x1.0x16
5	KH-32-146-05-S	Plate, backing w/rectifier-regulator opening
6	KH-32-063-12-S	Baffle, cylinder barrel - #2 side
7	KH-32-063-02-S	Baffle, valley - #2 side
8	KH-M-545010-S	Screw, hex. flange M5x0.8x10
9	KH-32-063-03-S	Baffle, valley - #1 side
10	KH-32-063-10-S	Baffle, cylinder barrel-#1 side
11	KH-M-545020-S	Screw, hex. flange M5x0.8x20
12	KH-24-086-12-S	Screw, hex. cap M6x1.7x18

SV720 & SV730 Twin-Cylinder Kohler Engine

Crankshaft & Crankcase



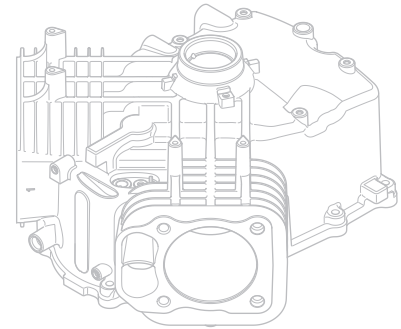
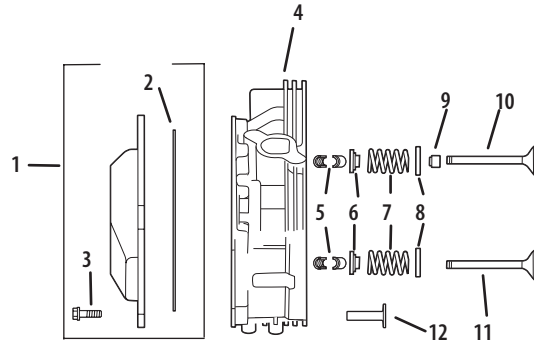
SV720 & SV730 Twin-Cylinder Kohler Engine

Crankcase & Crank Shaft

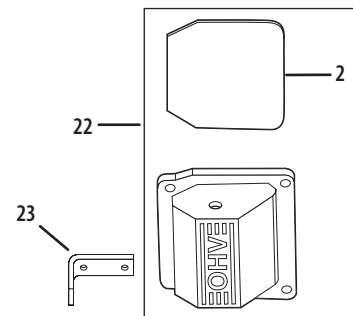
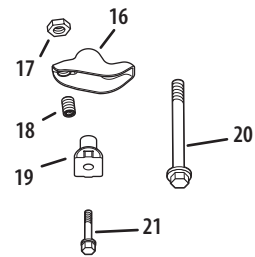
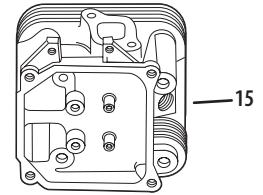
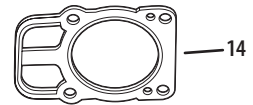
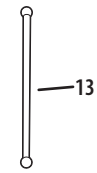
Ref.	Part Number	Description	Ref.	Part Number	Description
1	KH-32-038-01-S	Kit, dipstick (Includes 2)	21	KH-24-018-01-S	Retainer, piston pin
2	KH-12-153-02-S	O-Ring	22	KH-24-108-05-S	Ring Set (Std.)
3	KH-M-545013-S	Screw, hex. flange M5x0.8x16		KH-24-108-06-S	Ring Set (.25)
4	KH-12-123-04-S	Tube, oil fill (Includes 5,6)	23	KH-12-422-10-S	Shim, camshaft (yellow)
5	KH-12-153-02-S	O-Ring, upper oil fill tube		KH-12-422-09-S	Shim, camshaft (red)
6	KH-12-153-01-S	O-Ring, lower oil fill tube		KH-12-422-13-S	Shim, camshaft (black)
7	KH-24-126-19-S	Bracket, oil fill tube		KH-12-422-07-S	Shim, camshaft (white)
8	KH-24-032-01-S	Seal, oil		KH-12-422-08-S	Shim, camshaft (blue)
9	Crankcase (USE: Miniblock KH-32-782-01)			KH-12-422-11-S	Shim, camshaft (green)
10	KH-25-237-14-S	Clamp, hose		KH-12-422-12-S	Shim, camshaft (gray)
11	KH-32-326-06-S	Hose, breather	24	KH-32-012-01-S	Kit, camshaft
12	KH-M-547050-S	Nut, hex. lock M5x0.8	25	KH-M-645016-S	Screw, hex. flange M6x1.0x16
13	KH-32-468-01-S	Washer, sealing	26	KH-32-096-04-S	Cover, breather
14	KH-32-081-02-S	Housing, breather	27	KH-32-041-01-S	Gasket, breather cover
15	KH-32-072-02-S	Stud, breather cover	28	KH-32-050-01-S	Filter, breather
16	KH-24-018-04-S	Retainer, breather reed	29	KH-28-032-09-S	Seal, governor cross shaft
17	KH-12-402-02-S	Reed, breather	30	KH-24-018-09-S	Ring, retainer
18	KH-24-380-16-S	Pin, locating	31	KH-M-931010-S	Washer, plain 8 mm
19	KH-24-067-24-S	Connecting Rod (Std.)	32	KH-24-468-15-S	Washer, flat 1/4"
20	KH-24-874-38-S	Piston w/Ring Set (Std.) (Inc. 21)	33	KH-24-144-38-S	Shaft, governor cross
	KH-24-874-27-S	Piston w/Ring Set (.08)	34	KH-32-014-04-S	Crankshaft (Includes 35)
	KH-24-874-28-S	Piston w/Ring Set (.25)	35	KH-52-139-09-S	Plug, cup

SV720 & SV730 Twin-Cylinder Kohler Engine

Cylinder Head

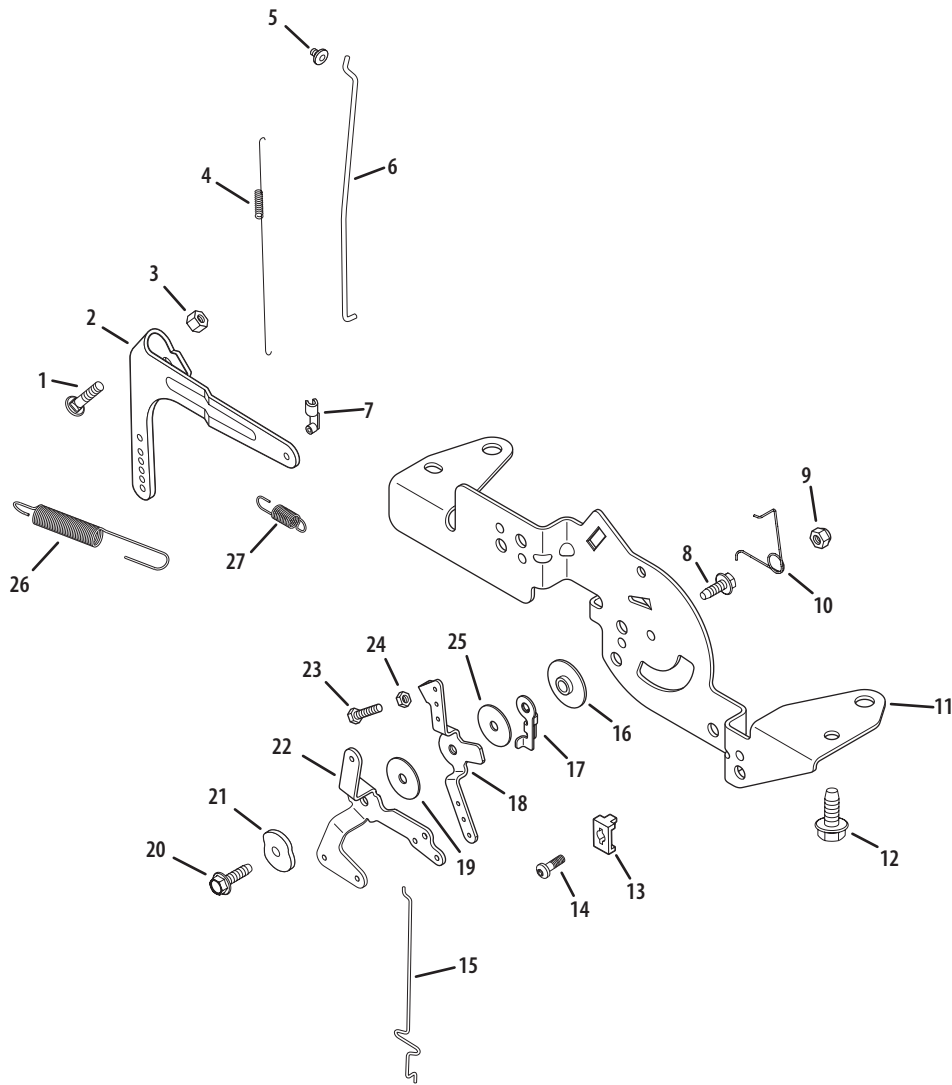


Ref.	Part Number	Description
1	KH-24-755-141-S	Kit, valve cover - plain (Includes 2,3)
2	KH-24-153-30-S	O-Ring
3	KH-M-651030-S	Screw, hex. flange M6x1.0x30
4	KH-32-318-01-S	Head assembly, #1 cylinder
5	KH-12 755 03-S	Kit, retainer
6	KH-12 173 01-S	Cap, valve spring
7	KH-24 089 02-S	Spring, valve
8	KH-235011-S	Retainer, spring
9	KH-66 032 05-S	Seal, valve stem
10	KH-24 017 01-S	Valve, intake (Std.)
	KH-24 017 02-S	Valve, intake (.25)
11	KH-24 016 01-S	Valve, exhaust (Std.)
	KH-24 016 02-S	Valve, exhaust (.25)
12	KH-32 019 01-S	Tappet
13	KH-32 411 02-S	Rod, push
14	KH-24 841 03-S	Kit, cylinder head gasket (Includes head mounting hardware & KH-24 -041-49-S, KH- 24-153-27-S)
15	KH-32 318 02-S	Head assembly, #2 cylinder
16	KH-32-186-03-S	Arm, rocker (before S/N 3633510953)
17	KH-25-100-33-S	Nut, hex. M10x0.75
18	KH-25-086-128-S	Screw, set
19	KH-25-599-01-S	Pivot, rocker arm
20	KH-12-086-16-S	Screw, Hex. flange M10x1.5x90
21	KH-32-072-04-S	Screw, hex. flange M6x1.0x45
22	KH-32 096 06-S	Kit, valve cover - breather (Includes 2)
23	KH-24 445 01-S	Strap, lifting
24	KH-32-146-09-S	Guide Plate (Not Illustrated)
25	KH-25 072 04-S	Stud, M8x1.25x33 (Not Illustrated)
26	KH-24 041 49-S	Gasket, exhaust manifold (Not Illustrated)
27	KH-M-841080-S	Nut, hex. flange M8x1.25 (Not Illustrated)



SV720 & SV730 Twin-Cylinder Kohler Engine

Engine Controls

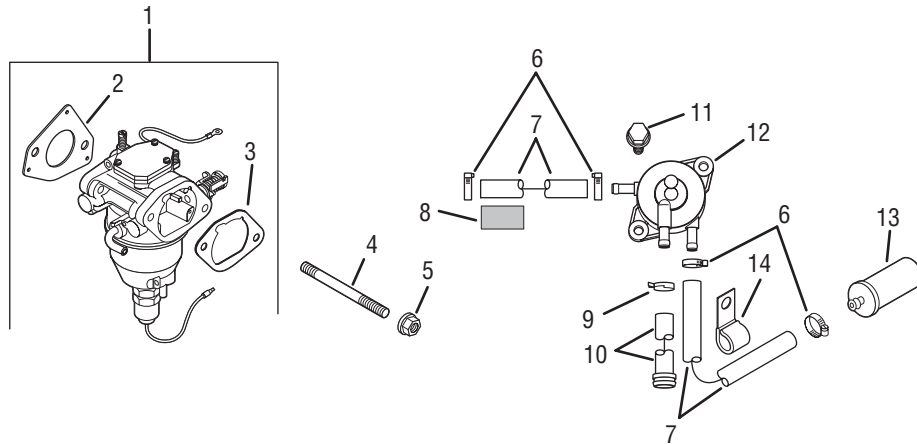


Ref.	Part Number	Description
1	KH-24-211-03-S	Bolt, round hd square neck
2	KH-24-090-33-S	Lever, governor
3	KH-M-641060-S	Nut, hex. flange M6x1.0
4	KH-24-089-01-S	Spring, linkage
5	KH-25-158-08-S	Bushing, linkage retaining
6	KH-24-079-04-S	Linkage, throttle
7	KH-25-158-11-S	Bushing, throttle linkage
8	KH-M-545016-S	Screw, hex. flange, M5x0.8x16
9	KH-M-547050-S	Nut, hex. lock M5x0.8
10	KH-24-089-03-S	Spring, choke return
11	KH-24-126-161-S	Bracket, control
12	KH-M-645016-S	Screw, hx. flange M6x1.0x16
13	KH-47-237-02-S	Clamp, dual conduit
14	KH-24-086-43-S	Screw, thread forming

Ref.	Part Number	Description
15	KH-24-079-22-S	Linkage, choke
16	KH-24-112-27-S	Spacer, control assembly
17	KH-24-090-47-S	Lever, throttle actuator
18	KH-24-090-13-S	Lever, throttle control
19	KH-24-468-01-S	Washer, plain 5.5 mm
20	KH-M-545020-S	Screw, hx. flange M5x0.8x20
21	KH-41-468-03-S	Washer, spring 1/4"
22	KH-24-090-05-S	Lever, choke
23	KH-M-403025-S	Screw, hex. head cap M4x0.7x25
24	KH-M-446030-S	Nut, hex. M4x0.7
25	KH-24-468-20-S	Washer, plain
26	KH-24-089-25-S	Spring, governor
27	KH-24-089-55-S	Spring, governor

SV720 & SV730 Twin-Cylinder Kohler Engine

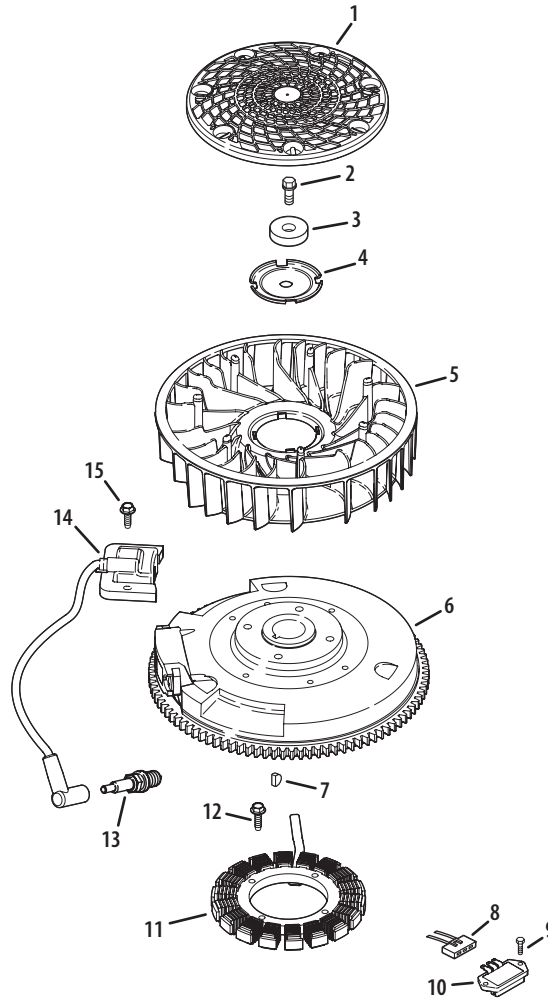
Fuel System



Ref.	Part Number	Description	Ref.	Part Number	Description
1	KH-32-853-05-S	Kit, carb. w/gaskets (Incl. 2,3) SV720	13	KH-25-050-22-S	Filter, fuel
	KH-32-853-04-S	Kit, carb. w/gaskets (Incl. 2,3) SV730	14	KH-47-154-01-S	Clip, cable
2	KH-24-041-52-S	Gasket, carburetor	NOT ILLUSTRATED		
3	KH-24-041-14-S	Gasket, air cleaner base		KH-X-25-63-S	Flat Washer, 1/4" (SV720)
4	KH-M-629105-S	Stud, carburetor		KH-24-757-19-S	Kit, service choke repair (SV720)
5	KH-M-641060-S	Nut, hex. flange M6x1.0		KH-24-757-36-S	Kit, service choke repair (SV730)
6	KH-25-237-14-S	Clamp, hose		KH-24-757-20-S	Kit, service gasket repair (SV720)
7	KH-25-111-34-S	Line, fuel (In lengths of 24" - Cut to length as needed)		KH-24-757-38-S	Kit, service gasket repair (SV730)
8	KH-25-431-10-S	Anti-Abrasion Sleeve		KH-24-757-44-S	Kit, float w/gaskets (SV730)
9	KH-25-237-01-S	Clamp, hose		KH-24-757-22-S	Kit, solenoid valve w/gaskets (SV720)
10	KH-32-326-02-S	Hose, fuel pump		KH-24-757-45-S	Kit, solenoid valve w/gaskets (SV730)
11	KH-24-086-12-S	Screw, hex. cap M6x1.7x18		KH-24-757-18-S	Kit, overhaul w/gaskets (SV720)
12	KH-24-393-16-S	Pump, pulse fuel		KH-24-757-46-S	Kit, overhaul w/gaskets (SV730)

SV720 & SV730 Twin-Cylinder Kohler Engine

Ignition / Electrical

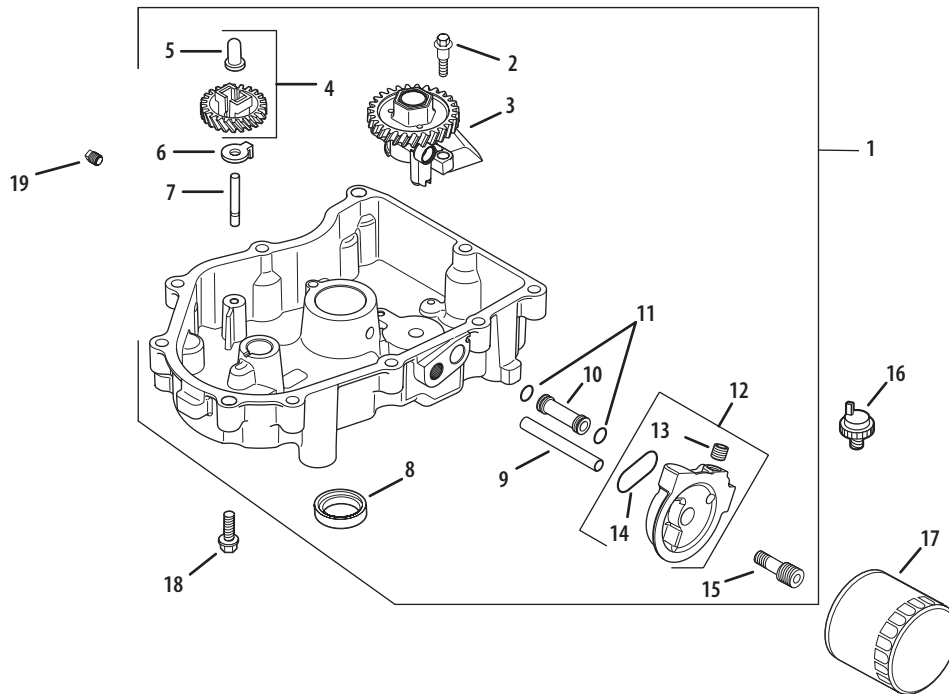


Ref.	Part Number	Description
1	KH-32-162-03-S	Screen, grass
2	KH-12-086-14-S	Screw, hex. flange M10x1.5x45
3	KH-12-468-03-S	Washer, plain 3/8"
4	KH-20-146-05-S	Plate, fan mounting
5	KH-32-157-01-S	Fan
6	KH-32-025-08-S	Flywheel
7	KH-X-42-15-S	Key
8	KH-236602-S	Connector (3 contact)
9	KH-M-551016-S	Screw, heavy hex. flange M5x0.8x16
10	KH-41-403-10-S	Rectifier-regulator

Ref.	Part Number	Description
11	KH-237878-S	Kit, 15 amp stator (Incl. KH-25-452-01-S)
12	KH-M-548025-S	Screw, hex. head M5x0.8x25
13	KH-12-132-02-S	Spark plug
14	KH-24-584-45-S	Module, ignition
15	KH-M-545020-S	Screw, hex. flange M5x0.8x20
NOT ILLUSTRATED		
	KH-32-176-14-S	Kit, Wire Harness
	KH-25-454-03-S	Wire, Tie
	KH-25-452-01-S	Terminal

SV720 & SV730 Twin-Cylinder Kohler Engine

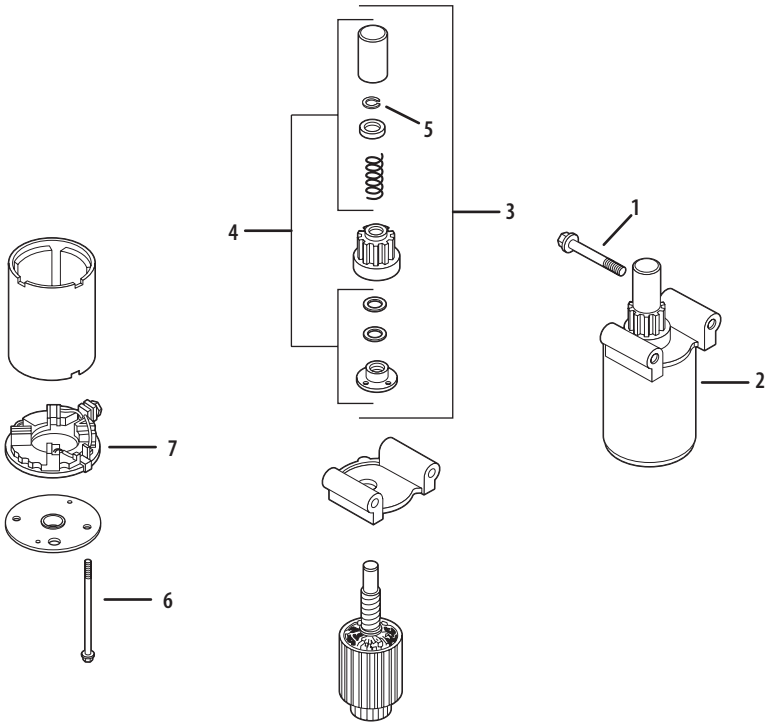
Oil Pan / Lubrication



Ref.	Part Number	Description
1	KH-32-199-02-S	Pan assembly, oil (Includes 2-15)
2	KH-32-086-01-S	Screw, hex. flange thread forming shoulder
3	KH-32-393-10-S	Oil pump assembly
4	KH-24-043-12-S	Kit, governor gear w/pin (Includes 5)
5	KH-12-380-01-S	Pin, governor regulating
6	KH-24-448-02-S	Tab, locking
7	KH-12-144-02-S	Shaft, governor gear
8	KH-52-032-08-S	Seal, oil (PTO end)
9	KH-32-123-01-S	Tube, oil feed - filter to oil pan
10	KH-32-123-03-S	Tube, oil feed - oil pan to filter
11	KH-24-153-01-S	O-Ring
12	KH-32-029-07-S	Adapter, oil filter (Includes 13,14)
13	KH-25-139-60-S	Plug, hex. ctsk. 1/8"
14	KH-32-153-04-S	O-Ring, oil filter adapter
15	KH-32-136-03-S	Nipple, oil filter
16	KH-25-099-24-S	Switch, pressure
17	KH-52-050-02-S	Filter, oil
18	KH-24-086-17-S	Screw, hex. flange M8x1.25x45
19	KH-25-139-57-S	Plug, sq. hd. solid 3/8"

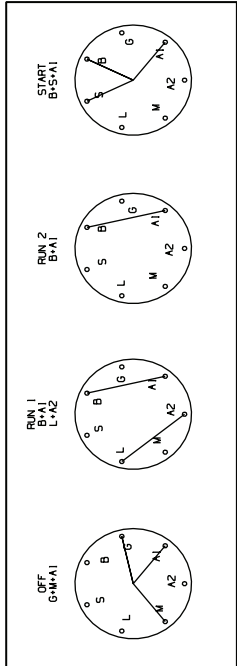
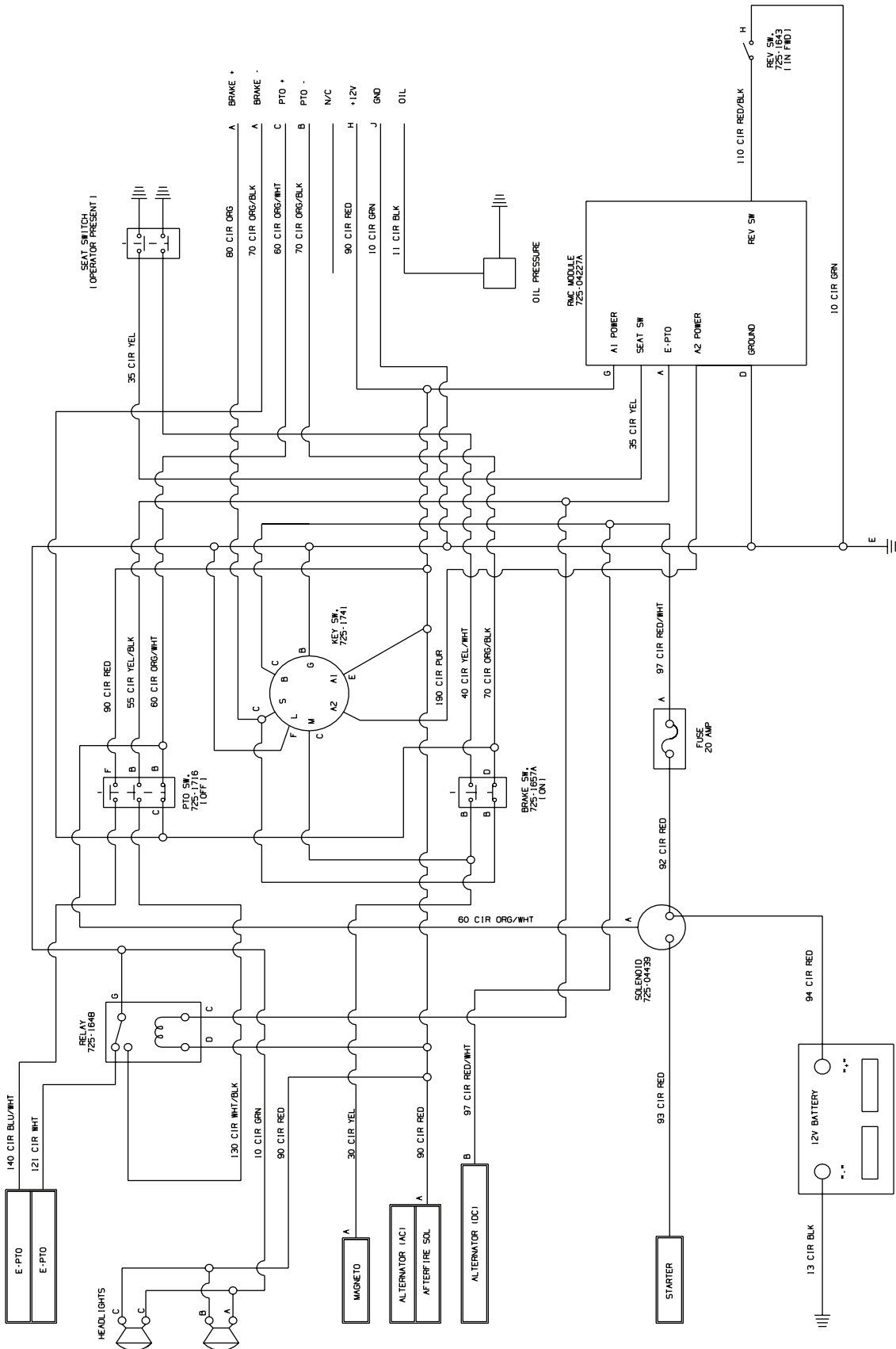
SV720 & SV730 Twin-Cylinder Kohler Engine

Starting System



Ref.	Part Number	Description
1	KH-M-839080-S	Screw, hex. flange M8x1.25x70
2	KH-32-098-01-S	Starter assembly (Includes 3-5)
3	KH-12-755-39-S	Kit, drive
4	KH-12-755-38-S	Kit, drive parts
5	KH-32-141-01-S	Retaining Ring
6	KH-32-211-01-S	Thru-bolt
7	KH-12-243-04-S	Commutator, end cap

Electrical Schematic — All Models





To order replacement parts, call a Customer Support Representative at (800) 965-4CUB.
Locate your nearest Cub Cadet dealer at (877) 282-8684
or visit www.cubcadet.com to find the nearest Cub Cadet dealer in your area.

CUB CADET LLC, P.O. BOX 361131 CLEVELAND, OHIO 44136-0019
