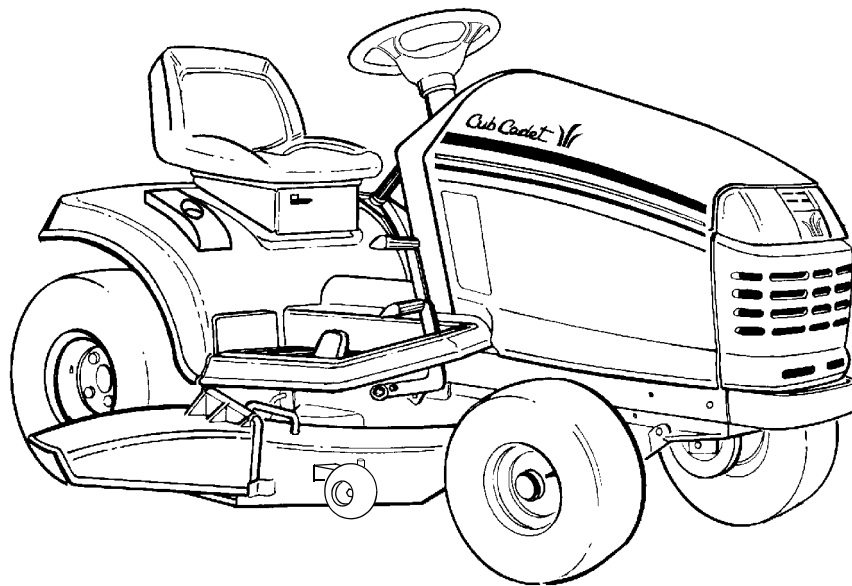


Cub Cadet

Parts Manual



SERIES 2000

TRACTOR

Model Number

GT 2186

CUB CADET LLC P.O. BOX 361131 CLEVELAND, OHIO 44136-0019 [www.cubcadet.com]

PRINTED IN U.S.A.

FORM NO. 770-10287E
(11/03)

NOTES

MODEL GT2186

TABLE OF CONTENTS

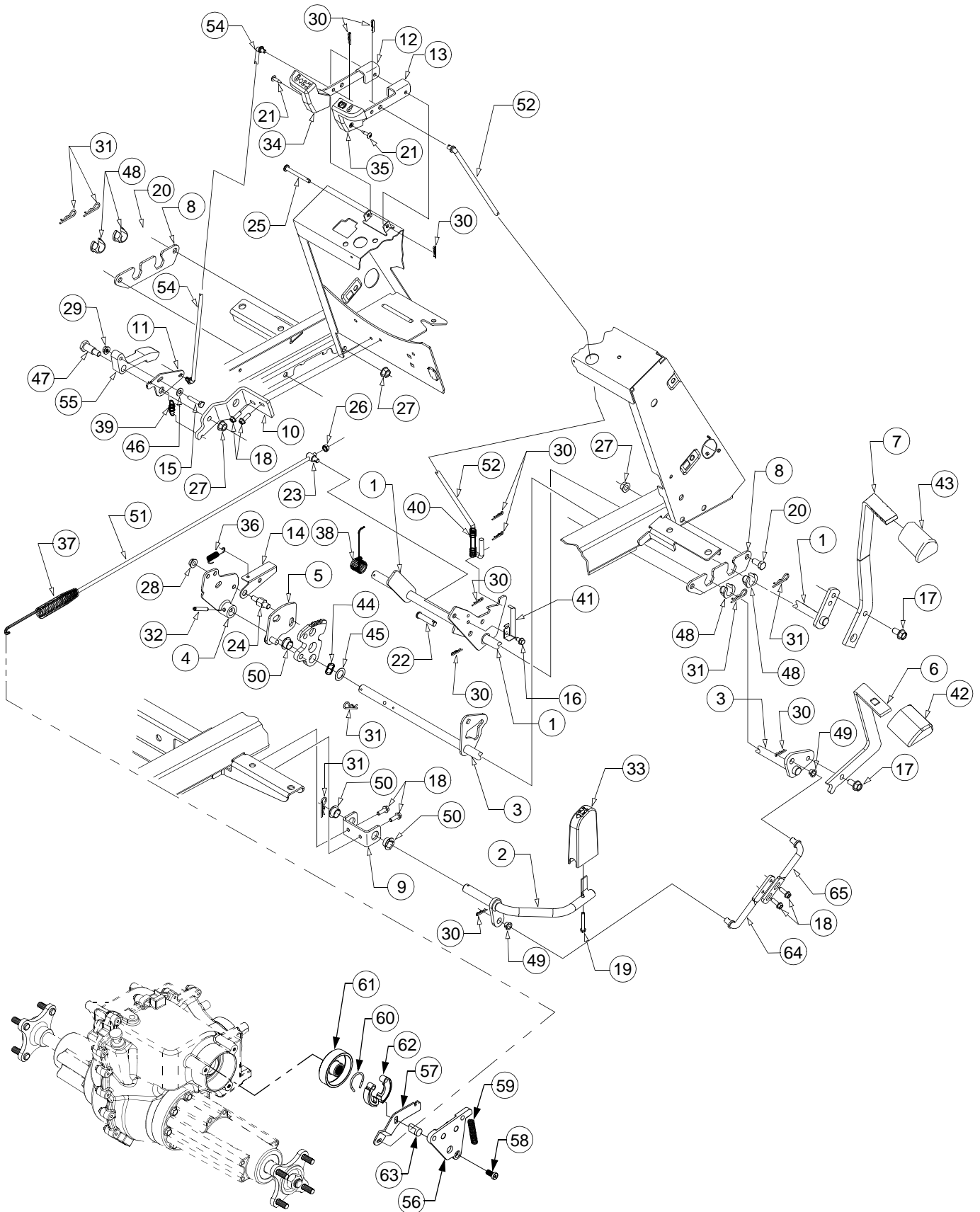
DESCRIPTION	PAGE	DESCRIPTION	PAGE
Axle, Front	36	Engine Mounting	20
Battery	16	Fender	34
Brakes	4	Frame	18
Bulkhead	15	Fuel Tank	19
Controls		Grille	32
Engine	15	Hood	32
Pedal	4	Hydraulic Filter	14
Transmission	8	Hydraulic Linkage	14
Dash Panel	15	Hydrostatic Pump, Model BDU-10L-225	12
Drawbar	18	Implement Lift Handle	37
Drive Line	9	Implement Lift Hanger	38
Electrical		Muffler	20
Switches	16	PTO Clutch	19
Wiring	16	Running Board	34
Engine		Seat	31
Air Filter	26	Side Panels	32
Blower Housing	21	Steering	6
Breather	23	Transmission, Hydro	10
Carburetor	27	Wheels, Front & Rear	39
Controls	30	44" Mower Deck	40
Crankcase	22	48" Mower Deck	44
Crankshaft	24		
Cylinder Head	23		
Electrical	29		
Exhaust	24		
Flywheel	29		
Fuel System	27		
Oil Pan	25		
Starter	28		
Valves	23		

NOTE: For **painted parts**, please refer to the list of color codes below. Please add the applicable color code, wherever needed, to the part number to order a replacement part.

For instance, if a part, numbered 700-xxxx, is painted Cub Yellow, the part number to order would be 700-xxxx-0716.

Cub Yellow: 0716
Cub Beige: 0499
Cub Blue: 0685
Powder Black: 0637

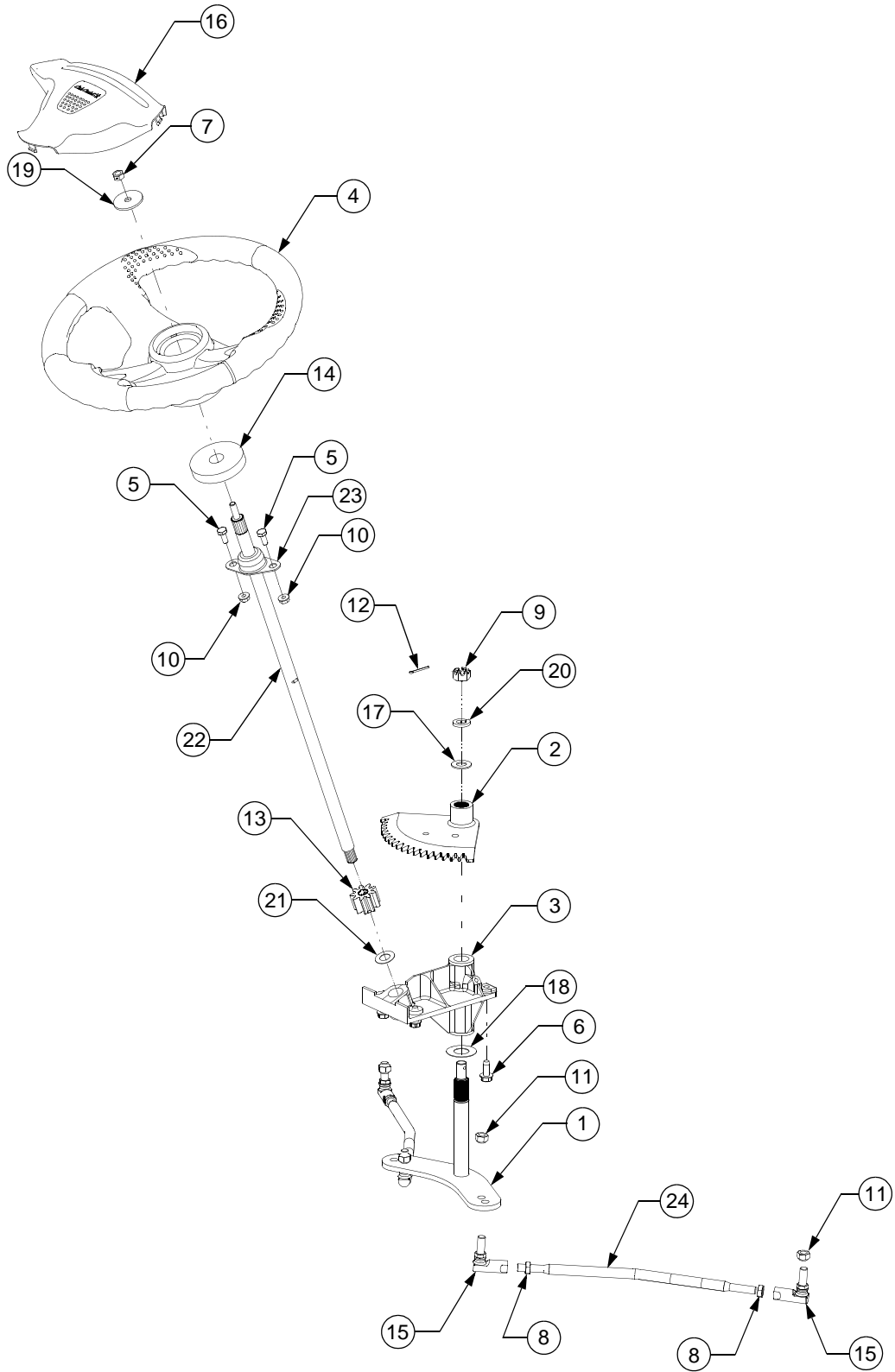
BRAKE AND CONTROL PEDALS



BRAKE AND CONTROL PEDALS

REF. NO.	PART NUMBER	DESCRIPTION	QTY.	REF. NO.	PART NUMBER	DESCRIPTION	QTY.
1	603-0321A	Shaft Assy, Brake	1	33	731-3205	Pedal, Reverse	1
2	603-0412	Pedal Assy, Reverse	1	34	731-3206	Knob, Cruise	1
3	603-0697	Shaft Assy, Forward/Reverse	1	35	731-3207	Knob, Brake Lock	1
4	603-0419	Cam Assy, Control	1	36	732-0418	Spring, Extension, .38 OD x 2.1	1
5	603-0421A	Plate Assy, Disengagement	1	37	732-0463A	Spring, Extension	1
6	703-2570A	Pedal, Forward	1	38	732-0756A	Spring, Torsion	1
7	703-2573A	Pedal, Brake	1	39	732-04006	Spring, Extension, .6 OD x 1.34	1
8	703-2804	Plate, Bearing Mounting	2	40	732-3099	Spring, Compression, .50 x 2.23	1
9	703-2938	Bracket, Reverse Pivot	1	41	732-3117	Spring, Switch Actuator	1
10	703-2941	Bracket, Cruise	1	42	735-3048	Pad, Forward Foot Control	1
11	703-2942	Plate, Rod Adjustment	1	43	735-3049	Pad, Brake Foot	1
12	703-2962	Lever, Cruise	1	44	736-0174	Washer, Wave, .625 x .885 x .015	1
13	703-2963	Lever, Brake Lock	1	45	736-0349	Washer, Flat, .635 x 1.0 x .020	1
14	703-2965	Actuator, Reverse Switch	1	46	736-0463	Washer, Flat, 1/4 x .63 x .051	1
15	710-0106	Screw, Hex Cap, 1/4-20 x 1.25	1	47	738-0145	Shoulder Bolt, .50 OD x .840	1
16	710-0599	Screw, Hex Wash Hd Tapp 1/4-20 x .5	1	48	741-3065B	Bearing, Hex Flange Split	4
17	710-0623	Screw, Hex Wash Hd Tapp 3/8-16x .75	2	49	741-3073	Bearing, Flange, .375 x .58 x .25	2
18	710-0642	Screw, Hex Wash Hd Tapp 1/4-20x .75	6	50	741-3074	Bearing, Flange, .626 x .93 x .344	3
19	710-0796	Screw, Truss Mach, #12 x 1.5	1	51	747-3216	Rod, Brake	1
20	710-0216	Screw, Hex Cap, 3/8-16 x .75 GR5	2	52	747-3219	Rod, Parking Brake	1
21	710-3009	Screw, Phil Hd Pan, #10-24 x .75	2	54	747-3307	Rod, Cruise	1
22	711-0415	Pin, Clevis, 3/8 x 1.62	1	55	748-3060	Latch, Cruise	1
23	711-0736	Ferrule, Adjustment, 1/4-20 Thrd	1	56	618-3060	Plate, Brake	1
24	711-1138	Stud, Actuator	1	57	703-2191	Arm, Brake	1
25	711-3295	Pin, Clevis, .25 x 2.38	1	58	710-3262	Screw, Low Hd Cap, 3/8-16 x .75	1
26	712-0271	Nut, Hex Sems, 1/4-20	1	59	732-0152	Spring, Compression	1
27	712-0431	Nut, Hex Flange Lock, 3/8-16	3	60	732-3077	Spring, Brake	1
28	712-3004A	Nut, Hex Flange Lock, 5/16-18	1	61	761-3019	Drum, Brake	1
29	712-3027	Nut, Hex Flange Lock, 1/4-20	1	62	761-3020	Shoe, Brake	1
30	714-0104	Pin, Internal Cotter, 5/16 Dia x 1.12	9	63	761-3028	Actuator, Brake Shoe	1
31	714-0145	Pin, Internal Cotter, 3/8 Dia x 1.62	6	64	747-3341A	Rod, Rear Connecting	1
32	715-0114	Pin, Spiral Spring, 1/4 x 1.5	1	65	747-3383	Rod, Front Connecting	1

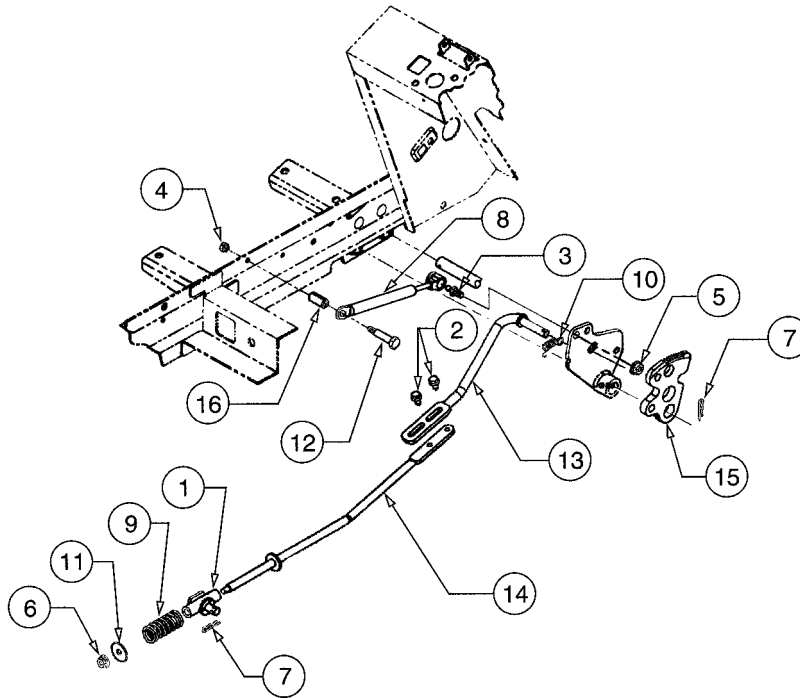
STEERING



STEERING

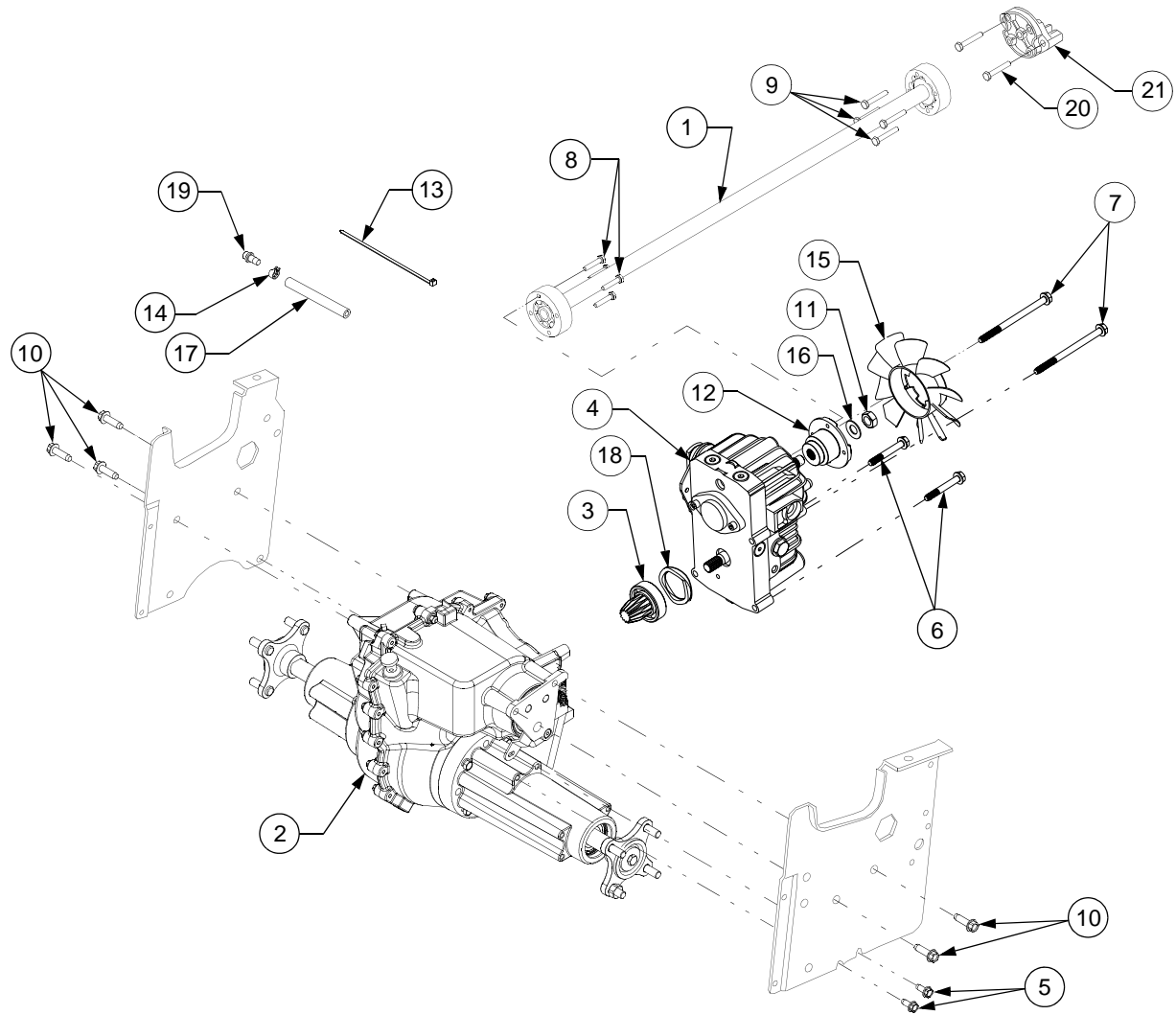
REF. NO.	PART NUMBER	DESCRIPTION	QTY.
1	603-0064	Arm Assy, Lower Steering	1
2	603-0250	Segment Assy, 18T Steering	1
3	619-04079	Housing Assy,	1
	737-3000	Fitting, Grease, 3/16 Drive Type	1
	748-0108	Bearing, Flange, .503 ID	1
	748-3007A	Bearing, Bronze Flange, .75 ID	2
4	631-04008	Wheel, Steering, Soft Grip	1
5	710-0751	Screw, Hex Cap, 1/4 - 20 x .62, GR5	2
6	710-1260A	Screw, Hex Wash. Hd. Tapp 5/16 - 18 x .75	4
7	712-0237	Nut, Hex Center Lock, 5/16-18	1
8	712-0711	Nut, Hex Jam, 3/8-24 GR2	4
9	712-3012	Nut, Hex Slotted, 1/2-20 GR5	1
10	712-3027	Nut, Hex Flange Lock, 1/4-20	2
11	712-3054	Nut, Hex Lock, 3/8-24 GR5	4
12	714-3004	Pin, Cotter, 3/32 Dia x 1.25	1
13	717-04086	Pinion, Steering	1
14	722-3019	Gasket, Steering	1
15	723-0156	Joint, Ball, 3/8-24	4
16	731-04532	Cover, Steering Wheel	1
17	736-0272	Washer, Flat, .510 x 1 x .06 Thk	1
18	736-0351	Washer, Flat, .760 x 1.5 x .03 Thk	1
19	736-04062	Washer, Flat, .344 x 1.5 x .1 Thk	1
20	736-0921	Washer, Lock, 1/2	1
21	736-3013	Washer, Flat, .531 x 1 x .027 Thk	1
22	738-04064	Shaft, Steering	1
23	741-3025	Bearing, Flange	1
25	747-3171	Rod, Tie	2

TRANSMISSION CONTROLS



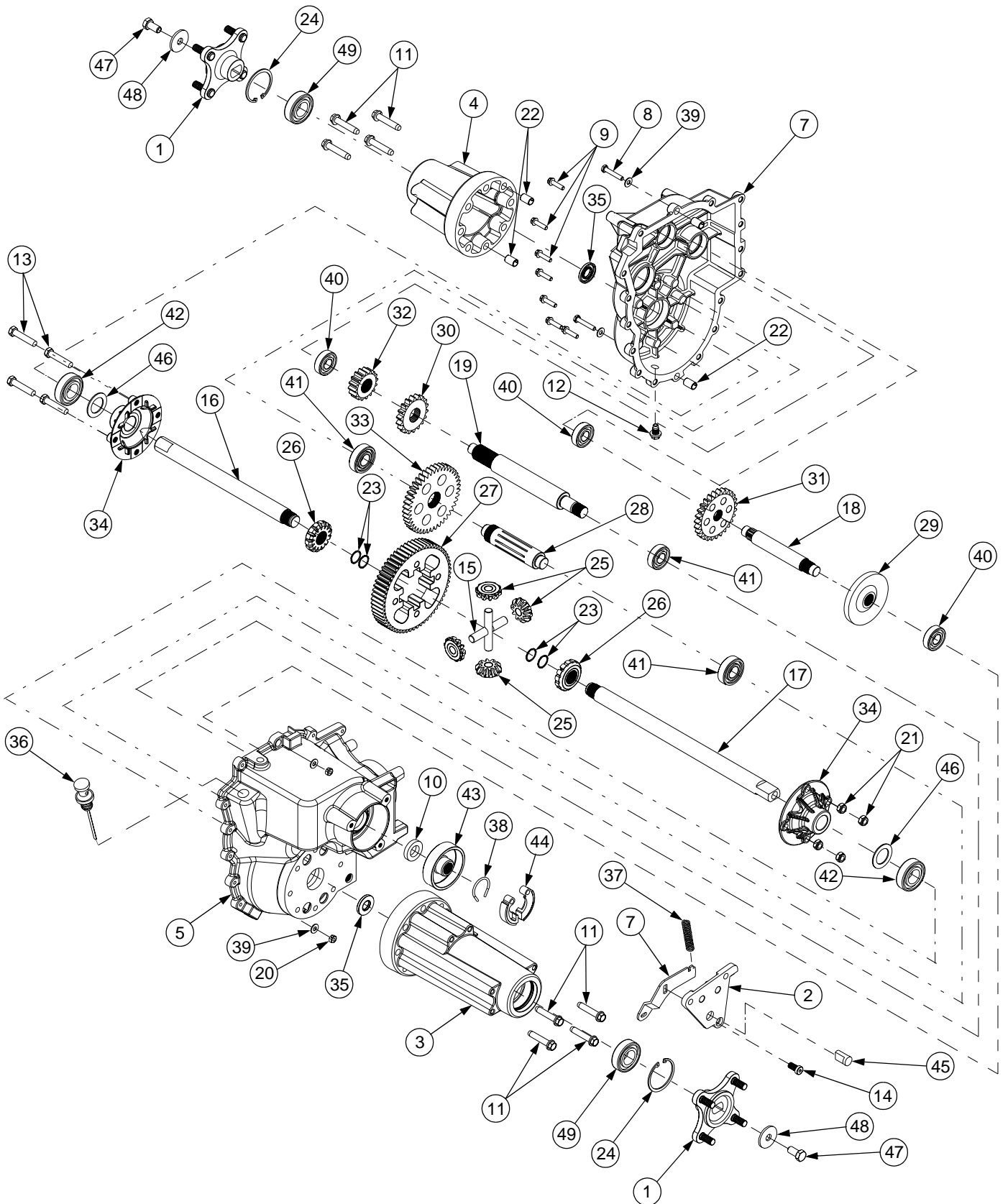
REF. NO.	PART NUMBER	DESCRIPTION	QTY.
1	603-0272	Pivot Assembly	1
2	710-0599	Screw, Hex Wsh Hd Tapp, 1/4-20 x .5	2
3	710-3170	Screw, Ball, 5/16-18 x.56	1
4	712-0271	Nut, Hex Sems, 1/4-20	1
5	712-3004A	Nut, Hex Flange Lock, 5/16-18 GR5	1
6	712-3027	Nut, Hex Flange Lock, 1/4-20	1
7	714-0104	Pin, Internal Cotter	2
8	727-3090	Cylinder, Damper	1
9	732-3094	Spring, Compression, .63 ID x 2	1
10	732-3118	Spring, Extension, 3/8 OD x 1.44	1
11	736-3092	Washer, Flat, .265 x 1 x .030	1
12	738-0560	Bolt, Shoulder, .374 Dia x 1.375	1
13	747-3304	Rod, Front Control	1
14	747-3309	Rod, Rear Hydro Control	1
15	748-3070A	Plate, Cruise	1
16	750-0434	Spacer, Split Tubing, .375 ID x 1.04	1

DRIVE LINE



REF. NO.	PART NUMBER	DESCRIPTION	QTY.	REF. NO.	PART NUMBER	DESCRIPTION	QTY.
1	718-3147 759-3764	Shaft Assembly, Drive, 28.25 Lg Kit, Drive Barrel	1 2	10	710-3290	Screw, Hex Wsh Tap, 3/8-16 x 1.25	5
2	618-04110	Transmission Assembly, Does NOT include wheel hub as- semblies and brake spring	1	11	712-3059	Nut, Hex Top Lock Jam GR5, 1/2-20	1
3	618-3088	Pinion Assembly, Input	1	12	748-3093	Adapter, Pump	1
4	618-3243	Pump, Hydrostatic	1	13	725-0157	Tie, Self-Clinch Cable	1
5	710-1260A	Screw, Hex Wsh Tap, 5/16-18 x .75	2	14	726-0205	Clamp, Hose	1
6	710-3180	Screw, Hex Cap, 5/16-18 x 1.75 GR5	2	15	731-3297	Fan, 10 Blade Cooling	1
7	710-3195	Screw, Hex Cap, 5/16-18 x 4.5 GR5	2	16	736-0253	Washer, Bell, 1/2 ID	1
8	710-1062	Screw, Hex Patch, 1/4-20 x 1.25 GR5	4	17	759-3330	Line, Fuel, 7in (10ft Bulk)	1
9	710-3288	Screw, Hex Patch, 1/4-20 x 1.62 GR5	4	18	736-3099	Washer, Wave, 1.96 x 2.44 x .06	1
				19	737-0296	Vent	1
				20	KH-24-086-16	Screw, Hex Patch, M10-1.50x 90mm	2
				21	719-3096	Adapter, Drive Shaft	1

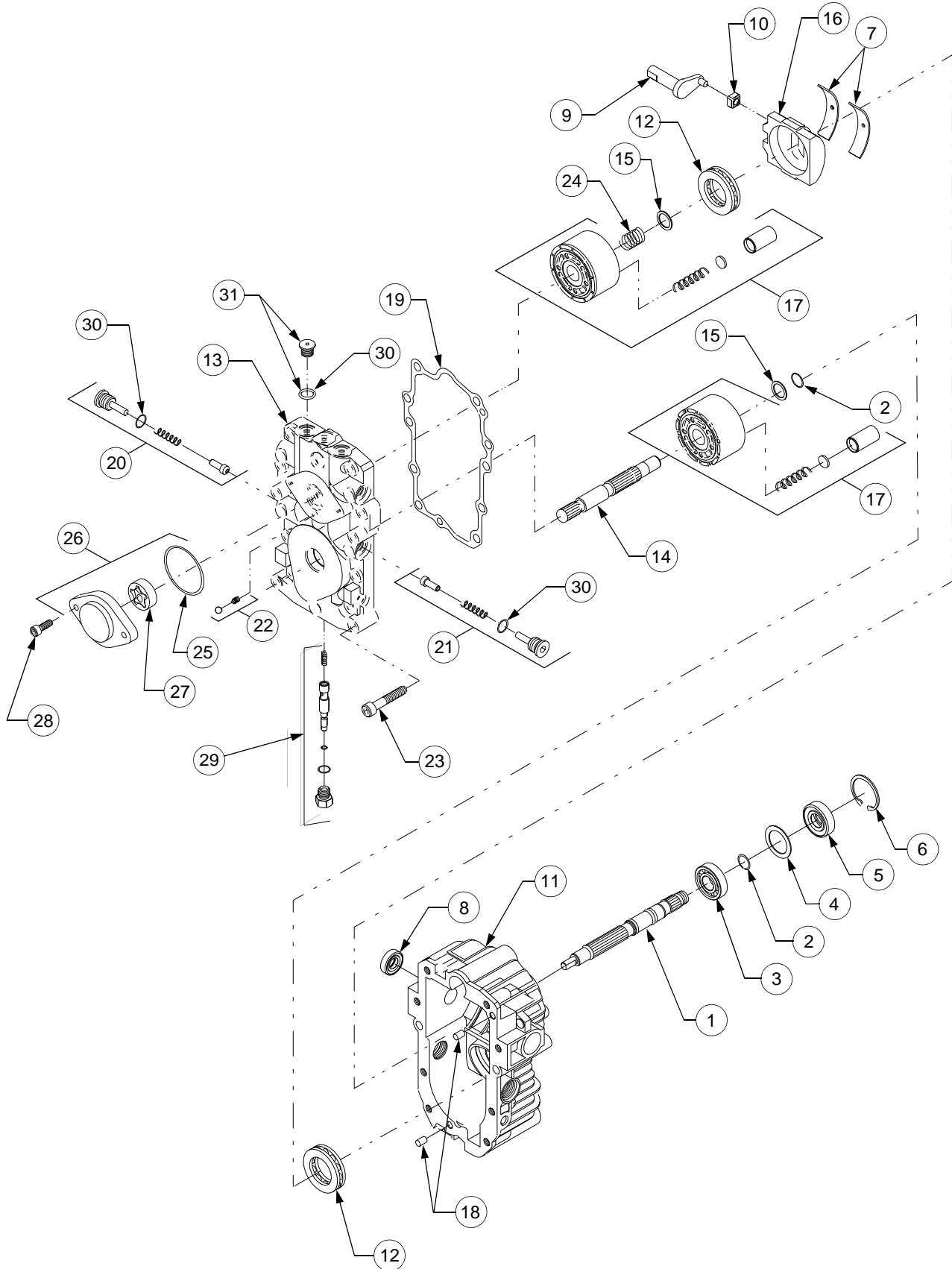
HYDRO TRANSMISSION



HYDRO TRANSMISSION

REF. NO.	PART NUMBER	DESCRIPTION	QTY.	REF. NO.	PART NUMBER	DESCRIPTION	QTY.
1	618-04115	Hub Assembly, Wheel	2	25	717-1446	Gear, Miter, 10T	4
2	618-3060	Plate Assembly, Brake	1	26	717-04102	Gear, Miter, 14T	2
3	619-0056	Axle Housing, RH	1	27	717-1568	Gear, Differential Spur, 60T	1
4	619-0057	Axle Housing, LH	1	28	717-3346	Shaft, Output, 9T	1
5	719-04078 759-3746	Transmission Housing, RH Sealant, Ultra Grey	1	29	717-3347	Gear, Bevel, 36T	1
6	719-04077	Transmission Housing, LH	1	30	717-04111	Gear, Spur, 18T	1
7	703-2191	Brake Arm	1	31	717-3388	Gear, Spur, 27T	1
8	710-0606	Screw, Hex Cap, 1/4-20 x 1.5	2	32	717-3391	Gear, Spur, 16T	1
9	710-0788	Screw, Hex Wash Hd Tap, 1/4-20 x 1.0	13	33	717-3392	Gear, Spur, 42T	1
10	721-3029	Seal, Shift Shaft	1	34	719-0375A	Housing, Differential, RH	2
11	710-1008	Screw, TT, 3/8-16 x 1.875	8	35	721-04031	Seal, Oil, 1.0 x 1.499	2
12	710-1633	Screw, Plug, M14 x 1.5 x .827	1	36	727-3085	Dipsick, Oil	1
13	710-3144	Screw, Hex Cap, 3/8-16 x 2.0 GR5	4	37	732-0152	Spring, Compression	1
14	710-3262	Screw, Cap, 3/8-16 x .750	1	38	732-3077	Spring, Brake Shoe	1
15	711-1052A	Shaft, Cross, .500 x 3.005	2	39	736-0463	Washer, Flat, .25 x .630 x .0515	4
16	711-04164	Shaft, Axle, 1.00 x 12.07	1	40	741-0361	Bearing, Ball, 17 ID x 40 OD x 12	3
17	711-04211	Shaft, Axle, 1.00 x 15.73	1	41	741-3057	Bearing, Ball, 6204	3
18	711-04210	Shaft, Drive	1	42	741-3114	Bearing, Ball, 6205-1	2
19	711-04209	Shaft, Intermediate	1	43	761-3019	Drum, Brake	1
20	712-0291	Nut, Hex Center Lock, 1/4-20	2	44	761-3020	Brake, Shoe	2
21	712-3020	Nut, Hex Insert Lock, 3/8-16 GR5	4	45	761-3028	Brake, Actuator	1
22	715-3045	Dowel Bushing	6	46	736-0745	Washer, Flat, 1.010 x .56 x .060	2
23	716-04032	Ring, Retaining, .938	4	47	710-3119	Screw, Hex Lock, 3/8-16 x .75 GR5	2
24	716-0204	Ring, Retaining,	2	48	736-0227	Washer, Flat, .39 x 1.5 x 1.34	2
				49	741-0681	Bearing, Ball	2

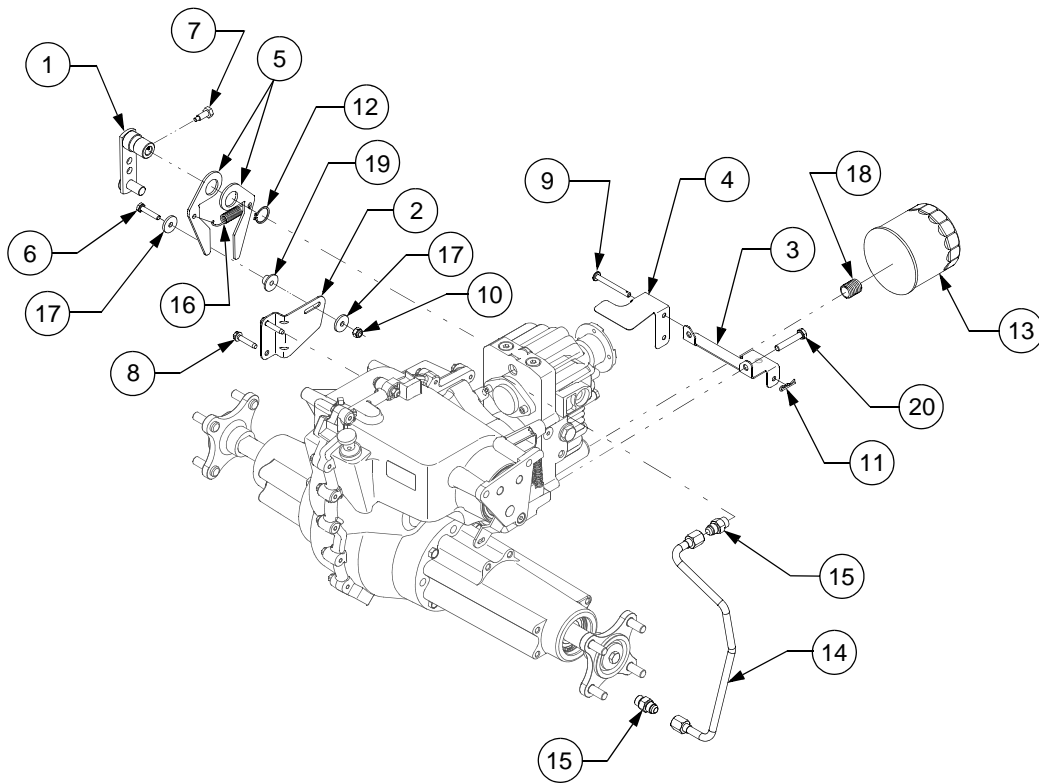
HYDROSTATIC PUMP



HYDROSTATIC PUMP

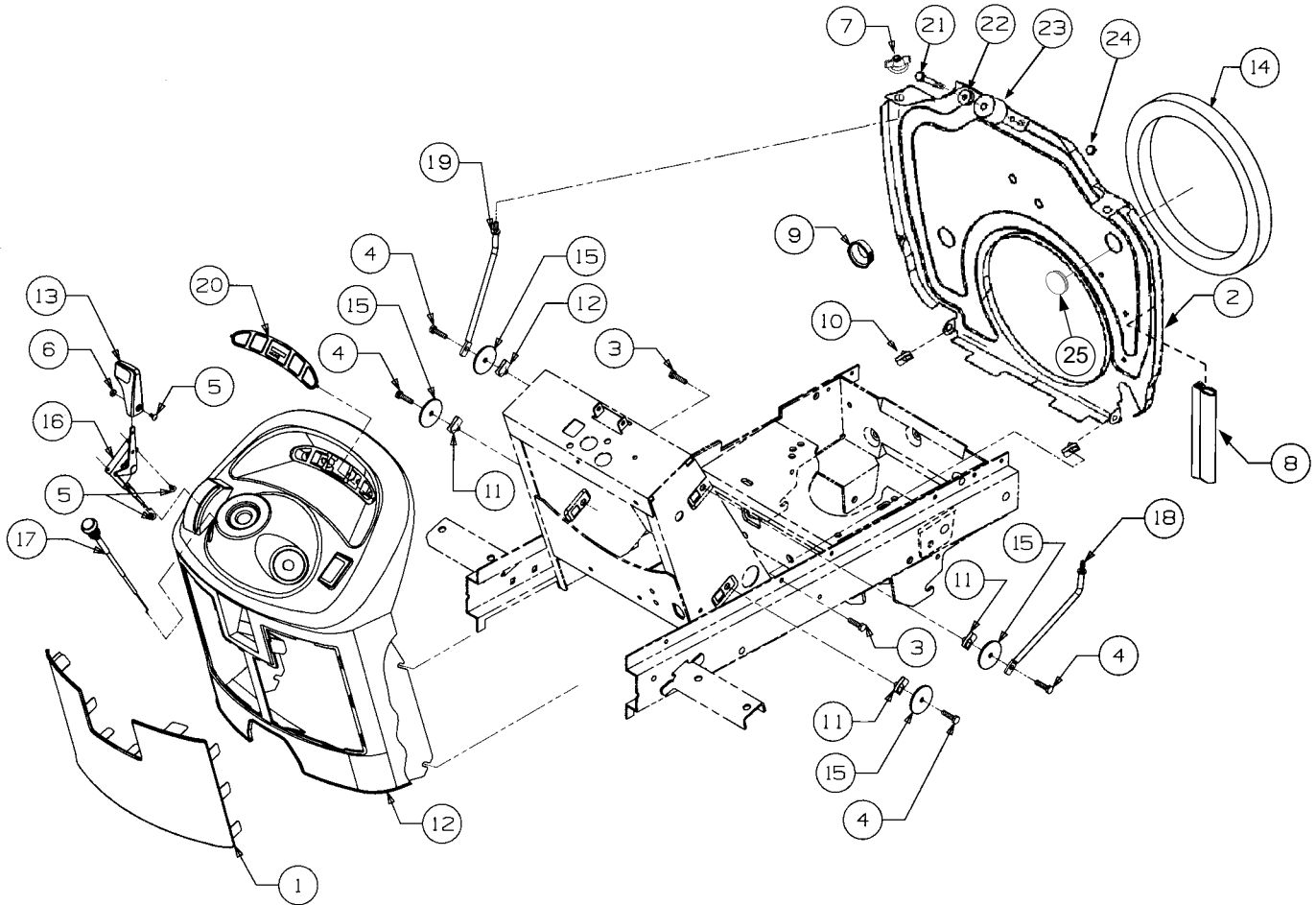
REF. NO.	PART NUMBER	DESCRIPTION	QTY.
1	HG-50158	Shaft, Pump (Splined)	1
2	HG-2003016	Ring, Retaining	2
3	HG-2003043	Bearing, Ball	1
4	HG-2003018	Spacer	1
5	HG-9008000-0128	Seal, Lip	1
6	HG-2003052	Ring, Retaining	1
7	HG-2003023	Bearing, Cradle	2
8	HG-9008000-0126	Seal, Lip	1
9	HG-2003005	Arm, Trunnion	1
10	HG-2000015	Guide, Slot	1
11	HG-2513036	Housing Kit	1
12	HG-2003044	Bearing Assembly, Thrust Ball	2
13	HG-51077	Center Section Kit	1
14	HG-2003034	Shaft, Motor	1
15	HG-2003017	Washer, Block Thrust	2
16	HG-2003087	Swash Plate	1
17	HG-70079	Block Assembly	2
18	HG-9004800-2506	Pin	2
19	HG-2003060	Gasket, Center Section	1
20	HG-2510027	Kit, Check Valve	1
21	HG-2510034	Kit, Orificed Check Valve	1
22	HG-2510011	Kit, Charge Relief Valve	1
23	HG-9007314-0808	Screw, Socket Hd	8
24	HG-2003014	Spring, Block	1
25	HG-9004101-1340	O-Ring	1
26	HG-2513027	Kit, Charge Pump	1
27	HG-J1041008	Gerotor Assy	1
28	HG-50095	Screw, Socket Hd	2
29	HG-2153011	Bypass Valve Kit	1
30	HG-9004201-3700	O-Ring	3
31	HG-9005110-5600	Plug w/O-Ring	2

NEUTRAL LINKAGE, HYDRAULIC PICKUP AND RETURN TUBES



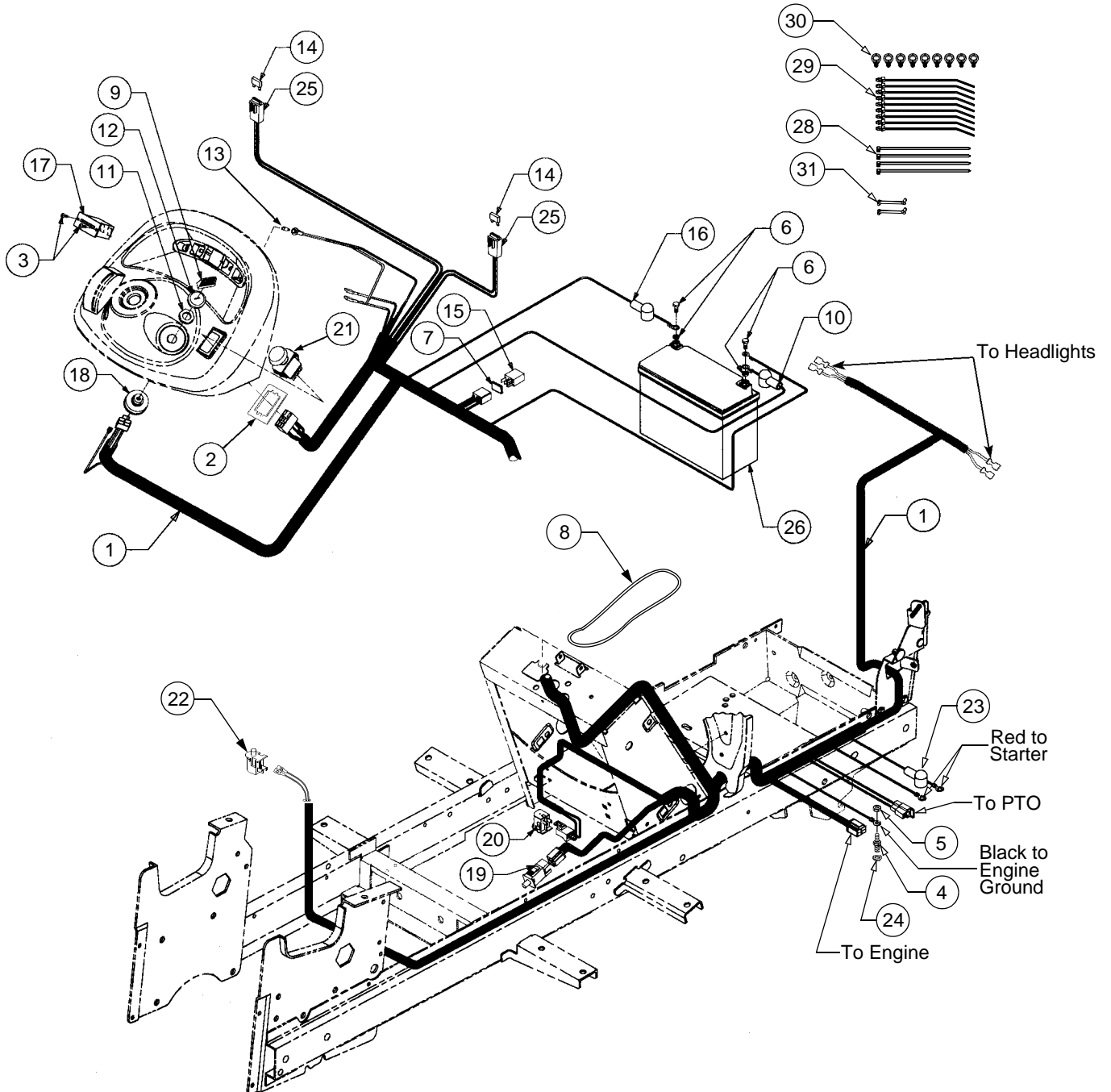
REF. NO.	PART NUMBER	DESCRIPTION	QTY.
1	603-0160	Arm Assembly, Control	1
2	603-04184	Bracket, Hydro Neutral	1
3	703-05315	Bracket, Hydro Dump Mtg,	1
4	730-05316	Bracket, Hydro Dump Actuator	1
5	703-2441	Arm, Neutral	2
6	710-0106	Screw, Hex Cap, 1/4-20 x 1.25	1
7	710-04171	Screw, Special Hex Cap, 5/16-24 x .625	1
8	710-0809	Screw, Hex Wash TT-Tap, 1/4-20 x 1.25	2
9	711-04220	Pin, Clevis, .25 x 2.38	1
10	712-0324	Nut, Hex Top Lock, 1/4-20	1
11	714-0104	Pin, Internal Cotter	1
12	716-0111	Ring, Snap, .875 Shaft	1
13	723-3014	Filter, Oil	1
14	727-04064	Tube, Hydro Inlet	1
15	727-3002	Connector, w/O-Ring	2
	721-3001	O-Ring, 3/8 OD Tube	2
16	732-3119	Spring, Extension, .5 OD x 1.97	1
17	736-0176	Washer, Flat, .25 x .93 x .120 Thk	2
18	737-3022	Nipple, Oil Filter	1
19	750-0918	Spacer, Centering	1
20	710-3180	Screw, Hex Cap, 5/16-18 x 1.75 GR5	2

BULKHEAD, DASH PANEL AND ENGINE CONTROLS



REF. NO.	PART NUMBER	DESCRIPTION	QTY.	REF. NO.	PART NUMBER	DESCRIPTION	QTY.
1	703-2557	Screen, Intake Dash	1	13	731-3161	Knob, Throttle	1
2	703-3108B	Bulkhead, Lower	1	14	723-3062	Seal Ring, Foam	1
3	710-0751	Screw, Hex Cap, 1/4-20 x .625	2	15	736-3128	Washer, Flat, .285 x 1.75 x .10	4
4	710-0597	Screw, Hex Cap, 1/4-20 x 1.0	4	16	746-3049	Control, Throttle	1
5	710-3217	Screw, Cross Rec Trus, #8-32 x .38	3	17	746-3050A	Control, Choke	1
6	712-0142	Nut, #8-32	1	18	747-3226	Rod, RH Mounting	1
7	712-0397	Nut, Wing w/Bell Washer 1/4-20	2	19	747-3227	Rod, LH Mounting	1
8	720-3024-36	Seal, Push On Trim	28in	20	777I20312	Label, Dash	1
9	723-3042	Bushing, Snap, 7/8 ID	1	21	710-0136	Screw, Hex Cap, 1/4-20 x 1.75 GR5	1
10	726-3048	Nut, U-Type Speed, 1/4-20	2	22	736-0342	Washer, Flat, .283 x .75 x .030	1
11	726-3054	Nut, U-Clip, 1/4-20	4	23	731-3232	Roller, Hood Latch	1
12	731-3137A	Panel, Dash	1	24	712-0271	Nut, Hex Sems, 1/4-20	1
	777I20306	Graphic, Ignition Switch	1	25	720-3025	Plug, Button	1

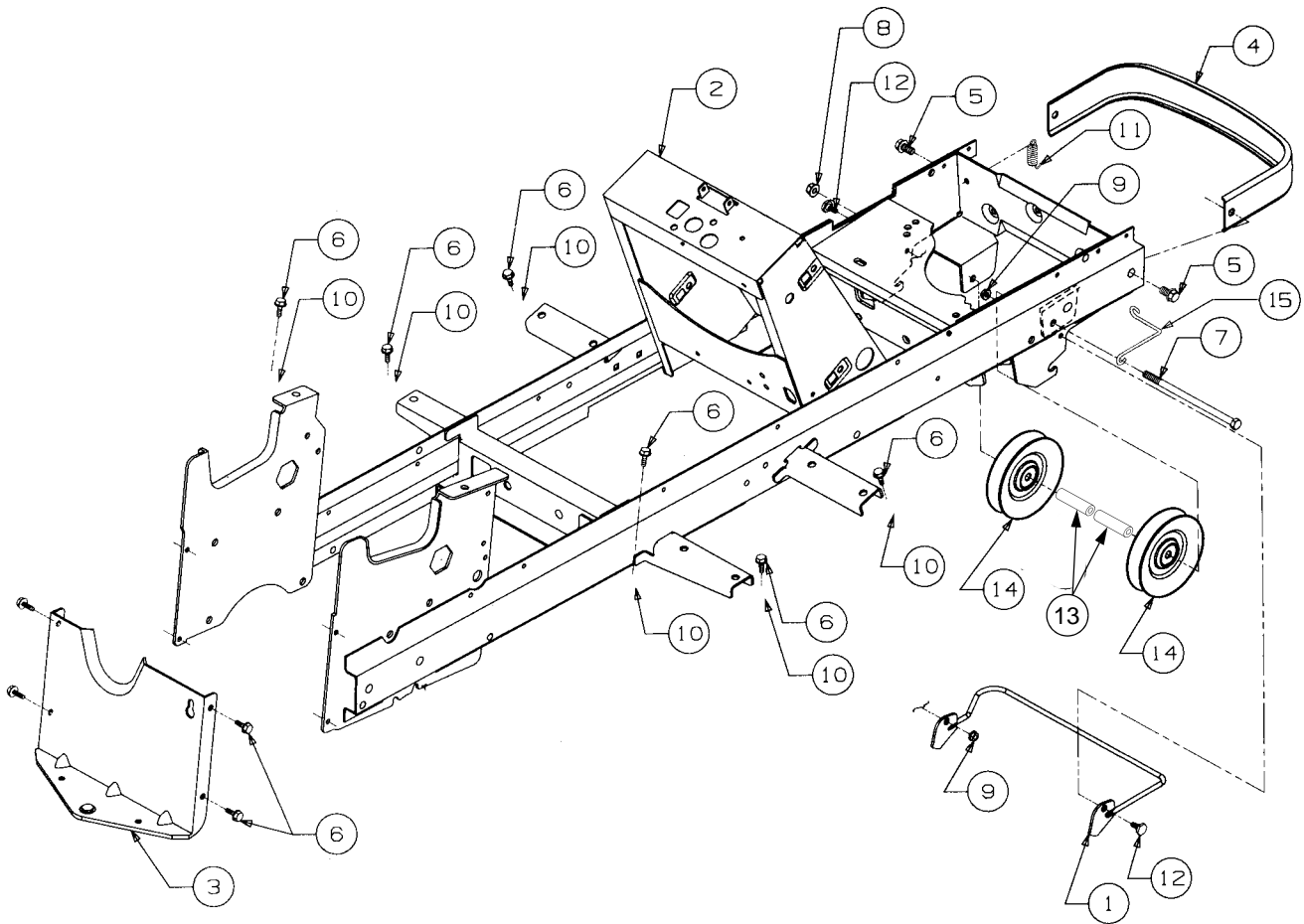
BATTERY, ELECTRICAL COMPONENTS AND SWITCHES



BATTERY, ELECTRICAL COMPONENTS AND SWITCHES

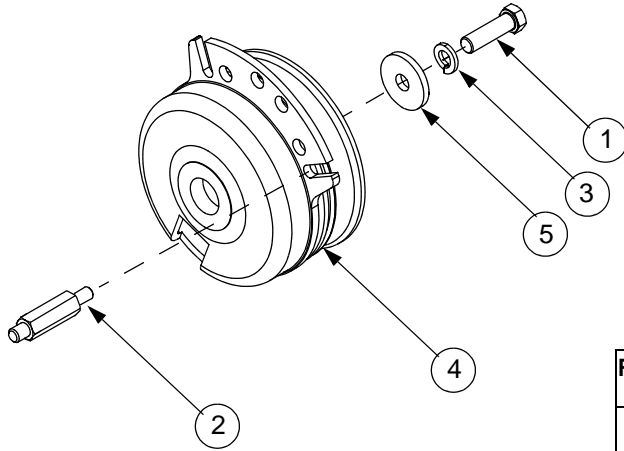
REF. NO.	PART NUMBER	DESCRIPTION	QTY.
1	629-3068A	Wire Harness, Main	1
2	783-0462	Bracket, PTO Switch Retainer	1
3	710-0936	Screw, Truss Hd Tapp, #6 x .62	AR
4	711-1094	Stud, Ground	1
5	712-3010	Nut, Hex, 5/16-18 GR5	1
6		Battery Cable Hardware	
	710-3015	Screw	2
	712-0271	Sems Nut	2
7	721-0342	Gasket, Silicone	1
8	723-04016	Strap, Battery Retainer	1
9	759-3476A	Key, Ignition (Set of 2)	1
10	725-0340	Cover, Terminal Black	1
11	725-1346	Nut, Ignition Switch	1
12	725-1347	Cap, Ignition Switch	1
13	725-1365	Bulb, Indicator	1
14	725-3243	Fuse, 25 Amp	2
15	725-1648	Relay	1
16	725-3007A	Cover, Terminal Red	1
17	725-3159	Hour Meter	1
18	725-3163	Switch, Ignition	1
19	725-3164A	Switch, Interlock (Brake)	1
20	725-3166	Switch, Snap Mount - Normally Closed	1
21	725-3233	Switch, PTO	1
22	725-3166	Switch, Snap Mount Seat	1
23	725-3237	Cover, Terminal Red	1
24	736-0607	Washer, External Lock, 5/16	1
25	729-0357	Holder, Fuse w/Mounting Clip	2
26	725-1707C	Battery	1
28	725-0157	Tie, Self-Clinch Cable	4
29	726-0154	Tie, Pushmount	9
30	726-3055	Clip, Cable	9
31	726-0161	Clip, Wire	2

FRAME AND DRAWBAR



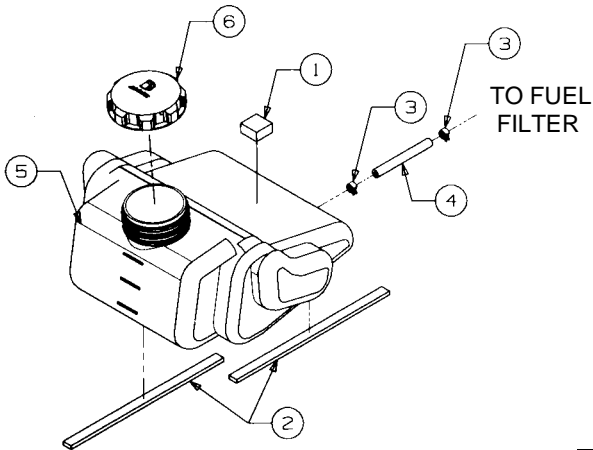
REF. NO.	PART NUMBER	DESCRIPTION	QTY.
1	603-0132	Rod, Quick Attach	1
2	603-0329C	Frame	1
3	703-2257	Drawbar	1
	777120296	Graphic, Transmission Release Lever	1
4	703-2577	Bumper	1
5	710-0623	Screw, Hex Wsh Hd Tapp 3/8-16 x .75	2
6	710-1260A	Screw, Hex Wsh Hd Tap 5/16-18 x .75	10
7	710-3261	Screw, Hex Cap, 3/8-16 x 7.0	1
8	712-0431	Nut, Hex Flange Lock, 3/8-16	1
9	712-3027	Nut, Hex Flange Lock, 1/4-20	2
10	726-0211	U-Nut, 5/16-18	6
11	732-3002	Spring, Latch	1
12	738-0255	Bolt, Shoulder	2
13	750-04198	Spacer, Idler, .411 x .720 x 3.67	2
14	756-3045	Pulley, Idler	2
15	732-0970	Belt Guide	1

PTO CLUTCH



REF. NO.	PART NUMBER	DESCRIPTION	QTY.
1	710-0757	Screw, Hex Cap, 7/16-20 x 1.5 GR5	1
2	711-1083	Stud, Clutch Stop	1
3	736-0171	Washer, Lock, 3/8	1
4	717-3403	Clutch Assy, PTO	1
	750-3356	Spacer (Not Shown)	1
5	736-3082A	Washer, Flat, .445 x 1.5 x 1.72 Hdn	1

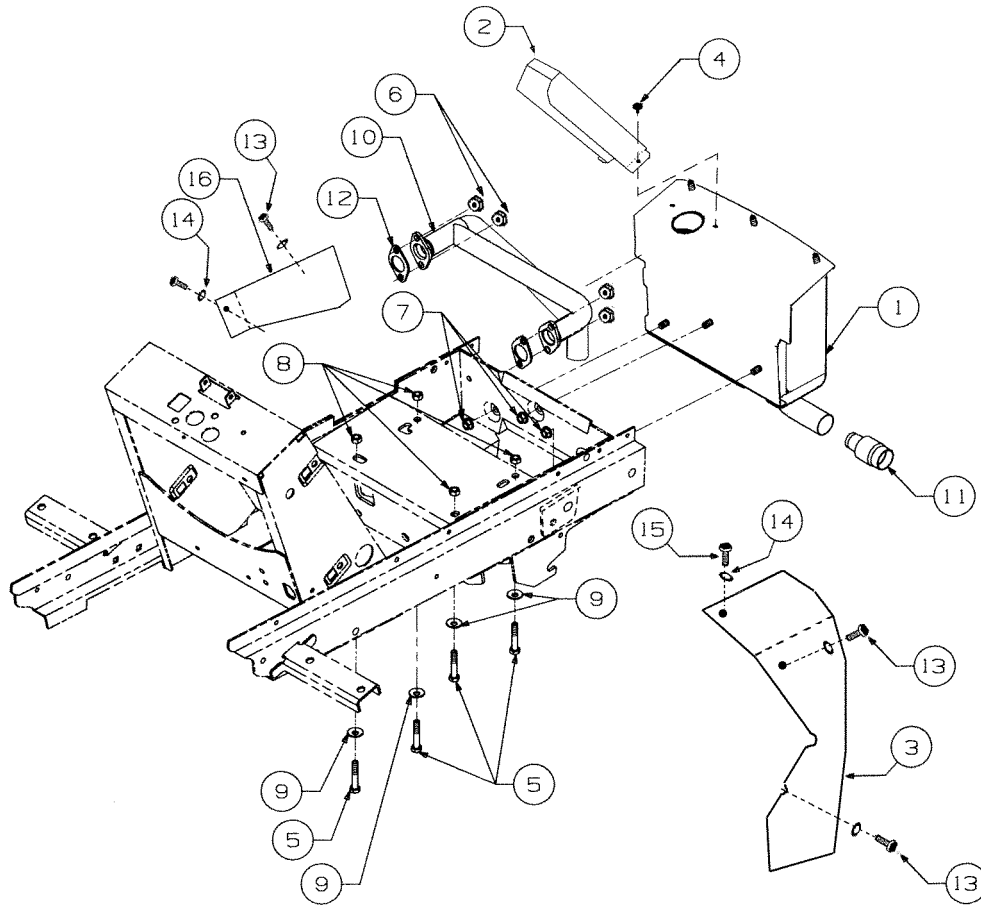
FUEL TANK



REF. NO.	PART NUMBER	DESCRIPTION	QTY.
1	722-3020	Foam, 1.25 Sq x .62 Thk	AR
2	722-3022	Tape, Foam, .625 Wide x .25 Thk	AR
3	726-0205	Clamp, Hose	2
4	759-3330	Line, Fuel, 72" (Shipped In 10ft Length)	1
5	751-3112B	Tank, Fuel	1
6	751-3124B	Cap, Fuel	1
†	723-3066-24	Insulator, Foam Fuel Line	1

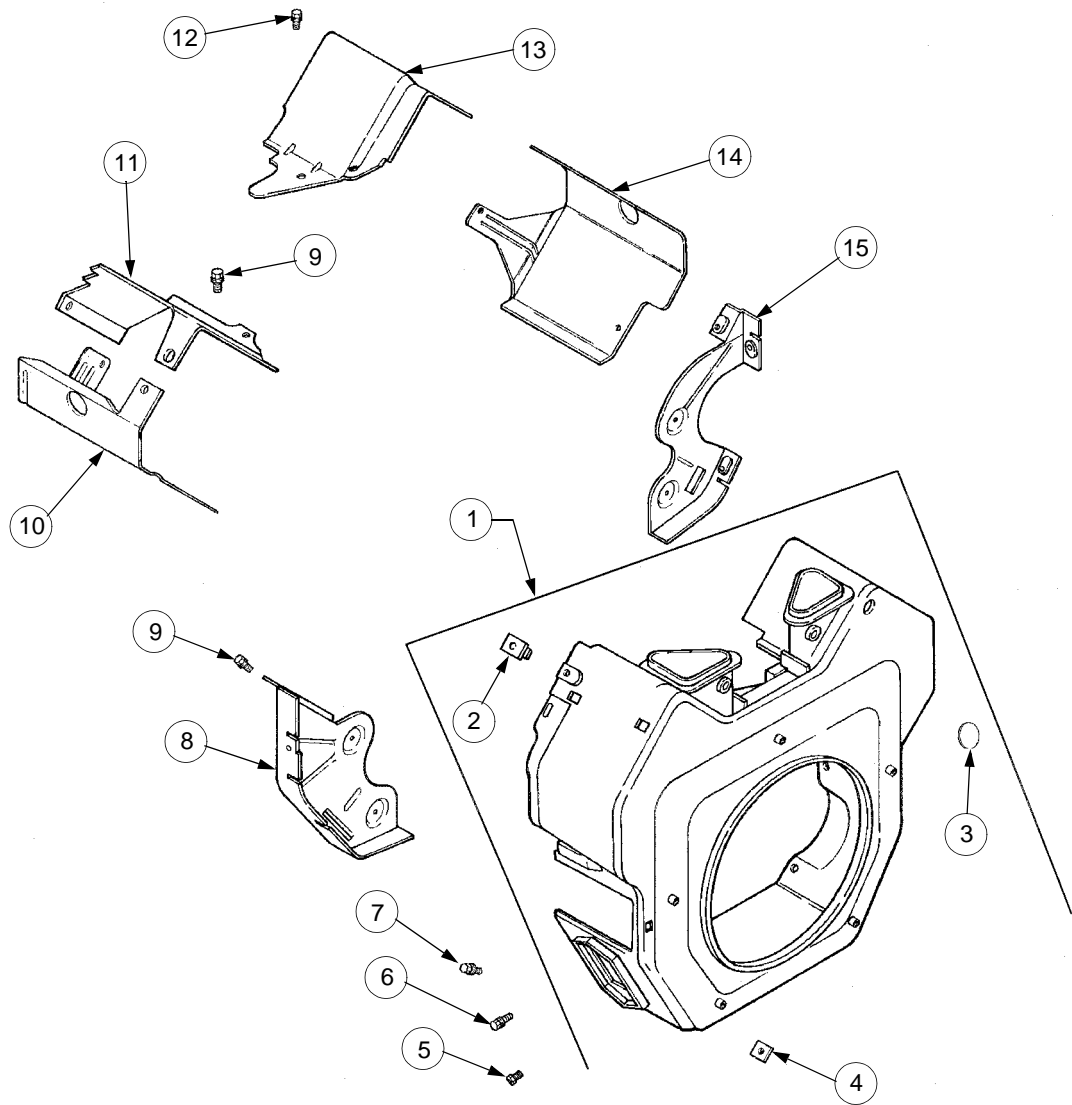
† Not Shown

ENGINE MOUNTING AND MUFFLER



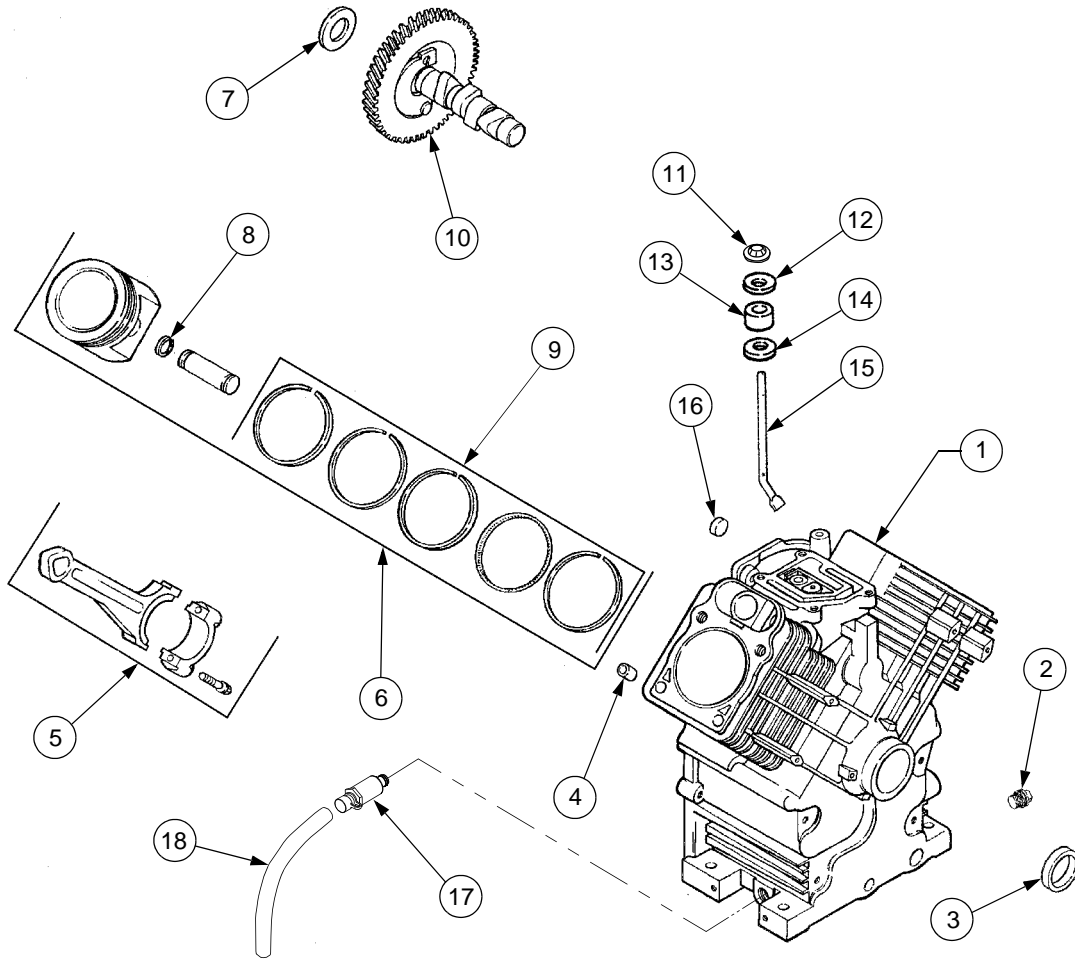
REF. NO.	PART NUMBER	DESCRIPTION	QTY.
1	651-3001	Muffler Assembly	1
2	703-3099	Shield, Muffler Tube	1
3	703-2632	Baffle, RH Heat	1
4	710-1268	Screw, Hex Wsh Hd Tap, #10-16 x .38	2
5	710-0539	Bolt, Eng Mount, 3/8-24 x 1.75 GR5	4
6	KH-M-0841080	Nut, Hex Flange	4
7	712-3004A	Nut, Hex Flange Lock, 5/16-18	3
8	712-3054	Nut, Hex Lock, 3/8-24	4
9	736-0105	Washer, Bell, .380 x .88 x .062	4
10	751-10026	Tube, Exhaust	1
11	759-3744	Arrestor, Spark	1
12	KH-24-041-02	Gasket, Exhaust	2
13	710-3209	Screw, Hex Cap, M6 x 1 x 10	4
14	736-0142	Washer, Flat, .281 x .5 x .06	5
15	710-0351	Screw, Truss Hd Tapp, #10 x .5	1
16	703-2631	Baffle, LH Heat	1

BLOWER HOUSING AND BAFFLES



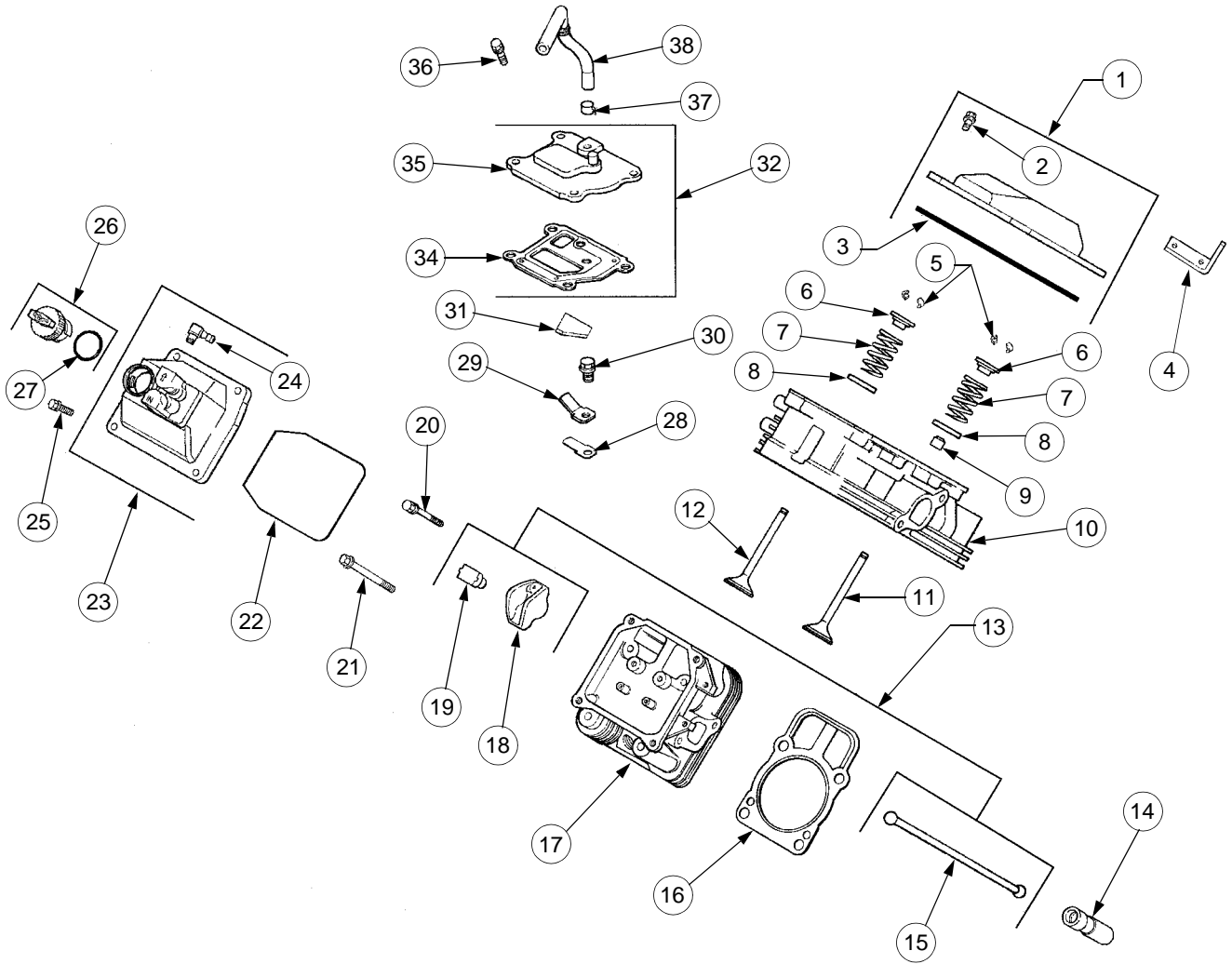
REF. NO.	PART NUMBER	DESCRIPTION	QTY.
1	KH-24-027-175-S	Housing, Blower (Incl. Ref #2-4)	1
2	KH-24-100-02	Nut, Plastic	2
3	KH-25-139-16	Plug, Button, 9/16	1
4	KH-24-100-01	Nut, Plastic	3
5	KH-M-0551016	Screw, Hex Flange, M5 x 0.8 x 16	1
6	KH-M-545016-S	Screw, Hex Flange, M5 x 0.8 x 16	3
7	KH-M-0545020	Screw, Hex Flange, M5 x 0.8 x 20	4
8	KH-24-146-16-S	Plate, Backing - #2 Side	1
9	KH-M-0645016	Screw, Hex Flange, M6 x 1.0 x 16	6
10	KH-24-063-20	Baffle, Cylinder Barrel - #2 Side	1
11	KH-24-063-17	Baffle, Valley - #2 Side	1
12	KH-M-0545010	Screw, Hex Flange, M5 x 0.8 x 10	2
13	KH-24-063-59-S	Baffle, Valley - #1 Side	1
14	KH-24-063-58-S	Baffle, Cylinder Barrel - #1 Side	1
15	KH-24-146-20-S	Plate, Backing - #1 Side	1

CRANKCASE



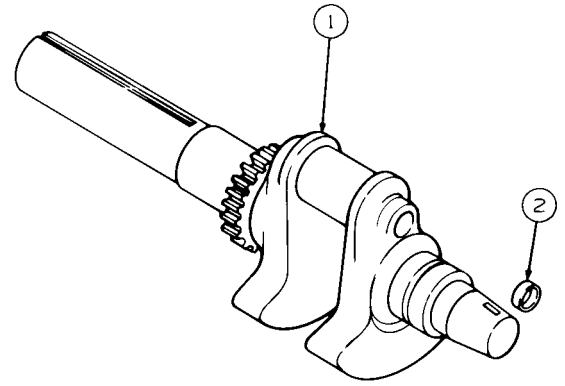
REF. NO.	PART NUMBER	DESCRIPTION	QTY.	REF. NO.	PART NUMBER	DESCRIPTION	QTY.
	KH-64638	Complete Engine	1	8	KH-24-018-01	Retainer, Piston Pin	4
	KH-24-522-180	Short Block	1	9	KH-24-108-11-S	Ring Set, Std., .08	2
1	KH-24-782-15	Crankcase, (Use Miniblock)	1		KH-24-108-12-S	Ring Set, .010 / .25mm	2
2	KH-25-139-57-S	Plug, Hex Hd, 3/8	1		KH-24-108-13-S	Ring Set, .020 / .50mm	2
3	KH-24-032-01	Seal, Front Oil	1	10	KH-24-012-10-S	Camshaft Assembly	1
4	KH-24-380-13-S	Pin, Locating Dowel	6	11	KH-24-018-09	Ring, Retainer	1
5	KH-24-067-13	Rod, Connecting, Std	2	12	KH-M-931010	Washer, Nylon	1
	KH-24-067-14	Rod, Connection, .010 / .25mm	2	13	KH-28-032-09	Seal, Governor Cross Shaft	1
6	KH-24-874-17-S	Piston w/Ring Set, Std	2	14	KH-24-468-15	Washer, Plain	1
	KH-24-874-18-S	Piston w/Ring Set, .010 / .25mm	2	15	KH-24-144-38	Shaft, Governor Cross	1
	KH-24-874-19-S	Piston w/Ring Set, .020 / .50mm	2	16	KH-52-139-09	Plug, Cup	1
	KH-24-874-14-S	Piston w/Ring Set, .08mm	2	17	751-3140	Drain, Oil	1
7	KH-12-422-09	Shim, Camshaft, .0320 (Red)	AR		751-3142	Cap	1
	KH-12-422-13	Shim, Camshaft, .0400 (Black)	AR	18	751-3141-12	Hose, Oil Drain	1
	KH-12-422-07	Shim, Camshaft, .0280 (White)	AR		KH-24-755-107-S	Gasket Set	1
	KH-12-422-08	Shim, Camshaft, .0300 (Blue)	AR				
	KH-12-422-10	Shim, Camshaft, .0340 (Yellow)	AR				
	KH-12-422-11	Shim, Camshaft, .0360 (Green)	AR				
	KH-12-422-12	Shim, Camshaft, .0380 (Gray)	AR				

CYLINDER HEAD, VALVES AND BREATHER



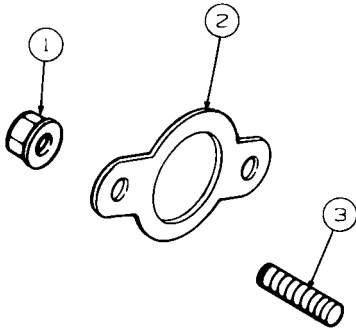
REF. NO.	PART NUMBER	DESCRIPTION	QTY.	REF. NO.	PART NUMBER	DESCRIPTION	QTY.
1	KH-24-755-74	Kit, Valve Cover (Includes 2-3)	1	19	KH-24-599-01	Pivot, Rocker Arm	4
2	KH-24-086-32	Screw, Shoulder	4	20	KH-M-0640034	Screw, Hex Flng, M6 x 1.0 x 34	1
3	KH-24-153-23	O-Ring, Valve Cover	1	21	KH-12-086-16	Screw, Hex Flng, M10 x 1.5 x 90	8
4	KH-24-445-01	Strap, Lifting	1	22	KH-24-153-23-S	O-Ring, Valve Cover	1
5	KH-12-755-03	Kit, Retainer	4	23	KH-24-559-03-S	Cover Kit, Fuel Pump Valve (Includes 22, 24, 26, 27)	1
6	KH-12-173-01	Cap, Valve Spring	4	24	KH-25-155-02	Connector, 90°	2
7	KH-24-089-02	Spring, Valve	4	25	KH-24-086-34	Screw, Shoulder	4
8	KH-235011	Retainer, Spring	4	26	KH-24-227-02	Cap Assembly, Oil Fill (Incl. 27)	1
9	KH-66-032-05	Seal, Valve Stem	2	27	KH-24-153-09	O-Ring	1
10	KH-24-318-68	Head Assembly, #1 Cylinder	1	28	KH-24-402-03	Reed, Breather	1
11	KH-24-017-01	Valve, Intake Std	2	29	KH-66-018-04-S	Retainer, Breather Reed	1
	KH-24-017-02	Valve, Intake, .25mm	2	30	KH-M-0545010	Screw, Hex Flng, M5 x 0.8 x 10	1
12	KH-24-016-01	Valve, Exhaust Std	2	31	KH-24-050-01	Filter, Breather	1
	KH-24-016-02	Valve, Exhaust, .25mm	2	32	KH-24-033-01	Kit, Breather (Includes 33-35)	1
13	KH-24-755-66	Kit, Valve Train (Incl. 15,18,19)	1	34	KH-24-041-50	Gasket, Breather	1
14	KH-25-351-01	Lifter, Valve	4	35	KH-24-096-86-S	Cover, Breather	1
15	KH-24-411-05	Rod, Push	4	36	KH-M-0645020	Screw, Hex Flng M6 x 1.0 x 20	4
16	KH-24-841-01-S	Kit, Cylinder Head Gasket	2	37	KH-25-237-14-S	Clamp, Breather	1
17	KH-24-318-71	Head Assembly, #2 Cylinder	1	38	KH-24-326-26	Hose, Breather	1
18	KH-25-186-01	Arm, Rocker	4				

CRANKSHAFT



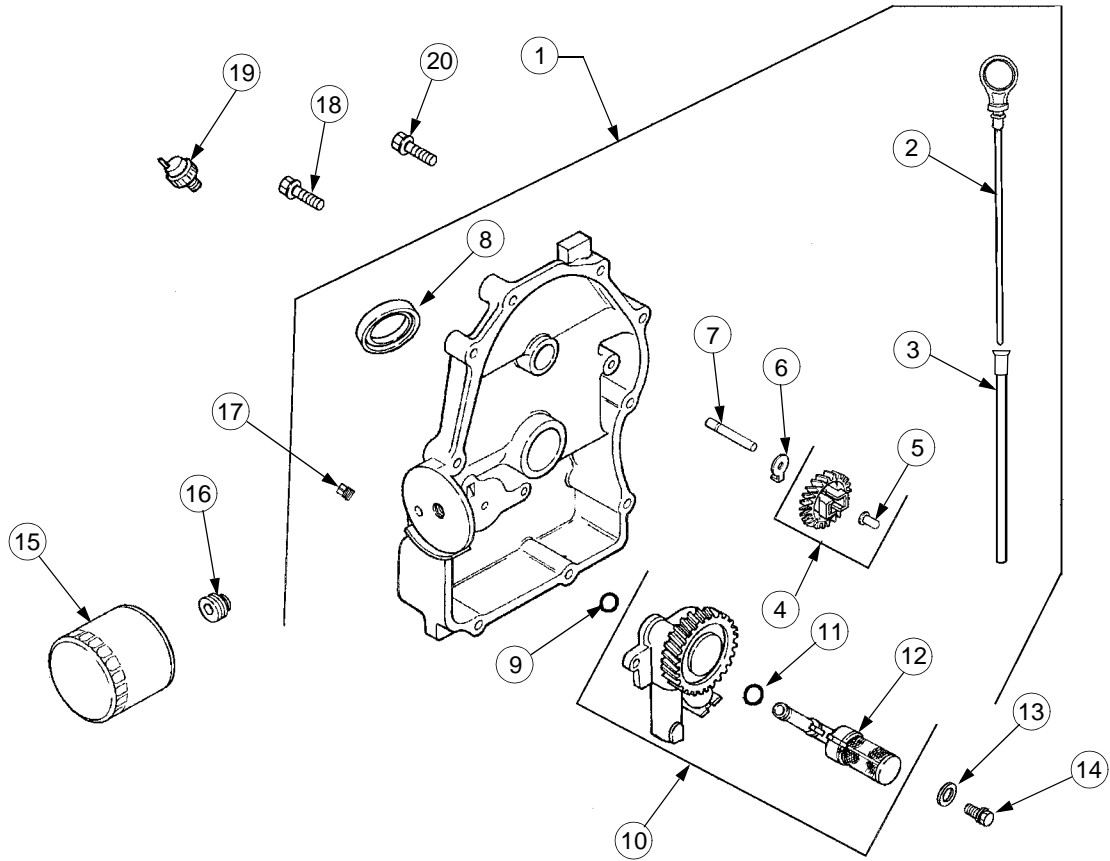
REF. NO.	PART NUMBER	DESCRIPTION	QTY.
1	KH-24-014-06	Crankshaft (Incl. Ref #2)	1
2	KH-52-139-09	Plug, Cup	1

EXHAUST



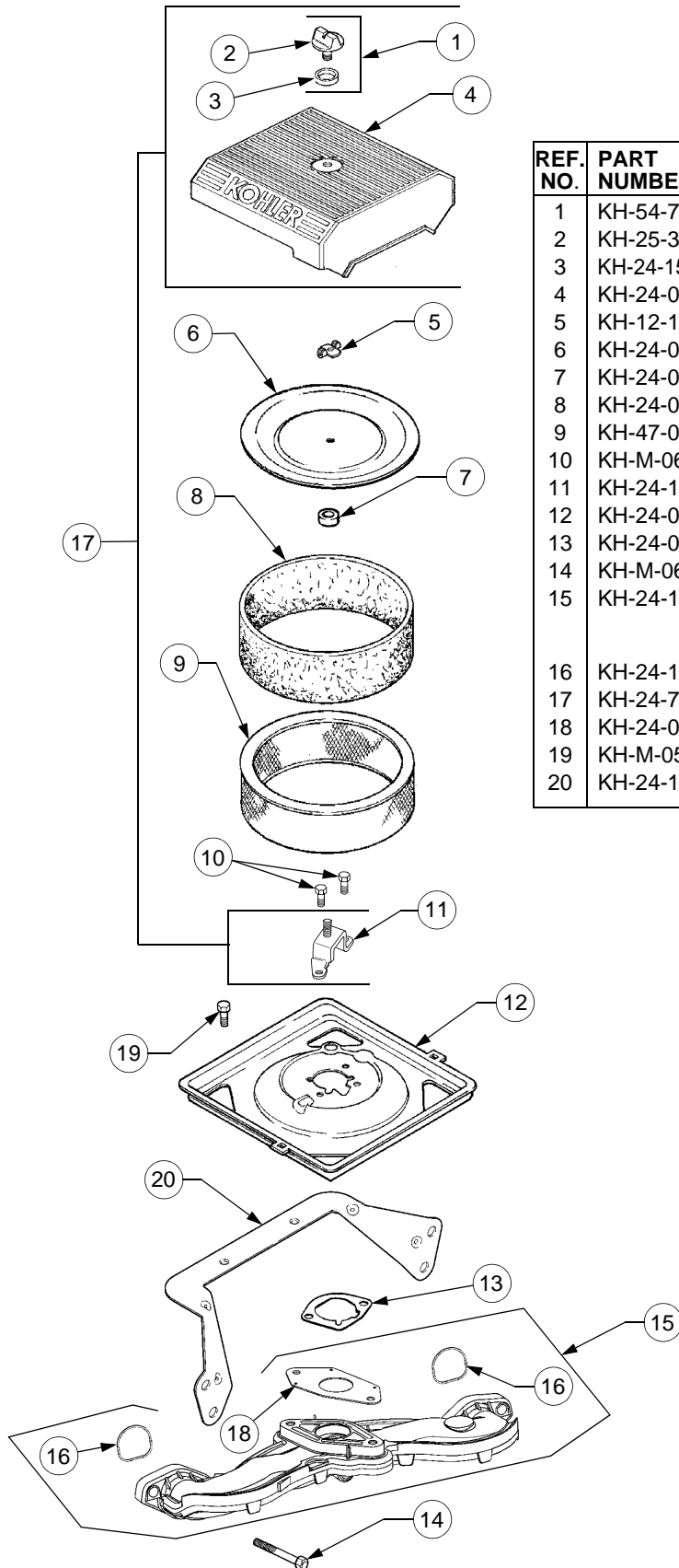
REF. NO.	PART NUMBER	DESCRIPTION	QTY.
1	712-3086	Nut, Muffler Mounting, M8 x 1.25	4
2	721-0377	Gasket, Exhaust	2
3	KH-25-072-04	Stud, Exhaust, M8 x 1.25 x 33	4

OIL PAN AND LUBRICATION



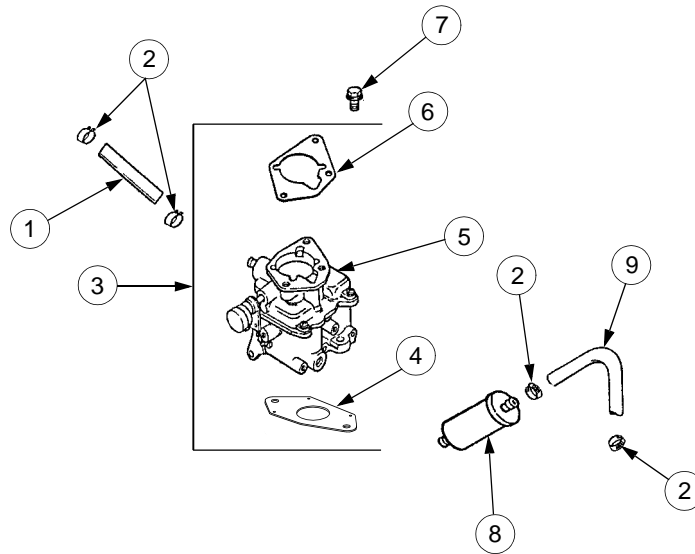
REF. NO.	PART NUMBER	DESCRIPTION	QTY.
1	KH-24-009-83-S	Plate Assy, Closure (Incl. Ref #2-12, 17)	1
2	KH-24-038-10-S	Dipstick	1
3	KH-24-755-121-S	Tube, Dipstick (Includes 2)	1
4	KH-24-043-12	Kit, Governor Gear (Incl. Ref #5)	1
5	KH-12-380-01	Pin, Governor Regulating	1
6	KH-24-448-01-S	Tab, Locking	1
7	KH-12-144-02	Shaft, Governor Gear	1
8	KH-52-032-08	Seal, Oil (PTO end)	1
9	KH-24-153-08	O-Ring	1
10	KH-24-393-37	Oil Pump Assy (Incl. Ref #11-12)	1
11	KH-24-153-01	O-Ring, Oil Pick-up	1
12	KH-24-381-04	Pick-up, Oil	1
13	KH-M-0631005	Washer, Plain	2
14	KH-M-0645025	Screw, Hex Flange, M6 x 1.0 x 25	2
15	KH-12-050-08	Filter, Oil	1
16	KH-24-136-01	Nipple, Oil Filter	1
17	KH-25-139-60-S	Plug, Pipe 1/8	2
18	KH-24-086-16	Screw, Hex Flange, M8 x 1.25 x 45	9
19	KH-25-099-24	Switch, Pressure	1
20	KH-24-086-17	Screw, Hex Flange, M8 x 1.25 x 45	1

AIR INTAKE AND FILTRATION



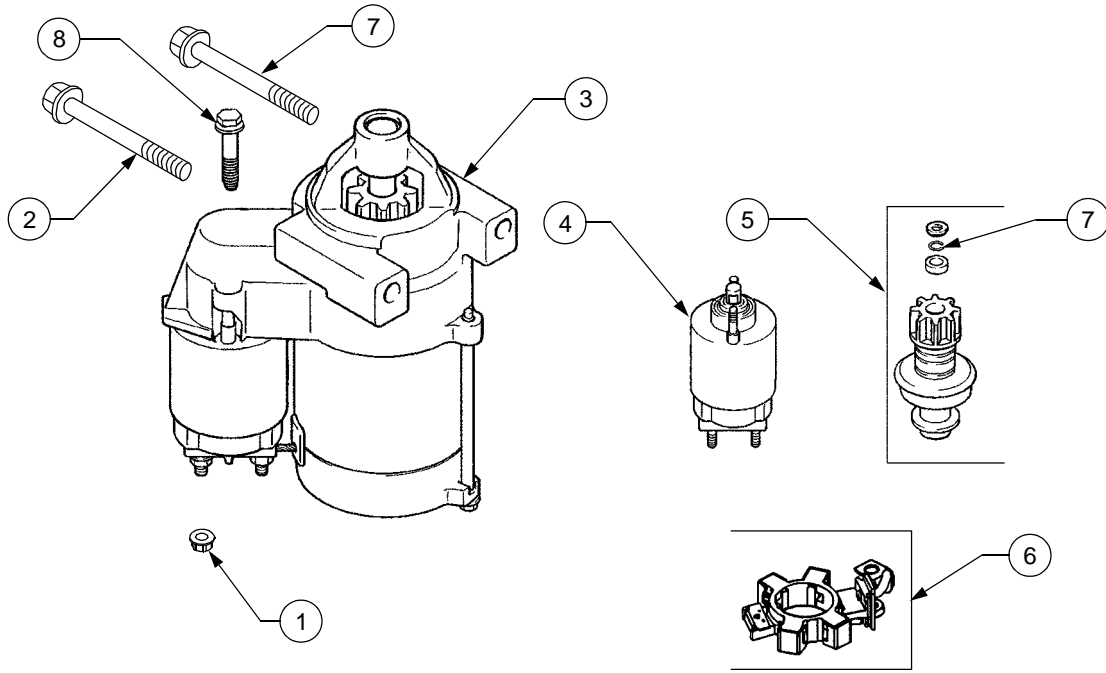
REF. NO.	PART NUMBER	DESCRIPTION	QTY.
1	KH-54-755-01	Kit, Knob w/Seal (Incl. Ref #2,3)	1
2	KH-25-341-03	Knob, Cover	1
3	KH-24-153-20-S	Seal, Air Cleaner Cover Knob	1
4	KH-24-096-69-S	Cover, Air Cleaner	1
5	KH-12-100-01	Wing Nut	1
6	KH-24-096-01	Cover, Inner Air Cleaner	1
7	KH-24-032-03	Seal, Inner Air Cleaner	1
8	KH-24-083-02	Precleaner, Element	1
9	KH-47-083-03	Element, Air Cleaner	1
10	KH-M-0639016	Screw, Hex Flange, M6 x 1.0 x16	3
11	KH-24-126-21	Bracket, Air Cleaner Base	1
12	KH-24-094-24-S	Base, Air Cleaner	1
13	KH-24-041-06	Gasket, Air Cleaner Base	1
14	KH-M-0651040-S	Screw, Hex Flange, M6 x 1.0 x 40	4
15	KH-24-164-54-S	Manifold, Intake (Includes Carb Gasket KH-24-041-53-S and (2) O-Rings KH-24-153-27-S)	1
16	KH-24-153-27-S	O-Ring, Intake Manifold	2
17	KH-24-743-08	Kit, Air Cleaner Cover (Incl 1-4, 11)	1
18	KH-24-041-53-S	Gasket, Carburetor	1
19	KH-M-0545010	Screw, Hex Flng, M5 x 0.8 x 10	2
20	KH-24-126-130-S	Bracket, Air Cleaner Base	1

FUEL SYSTEM



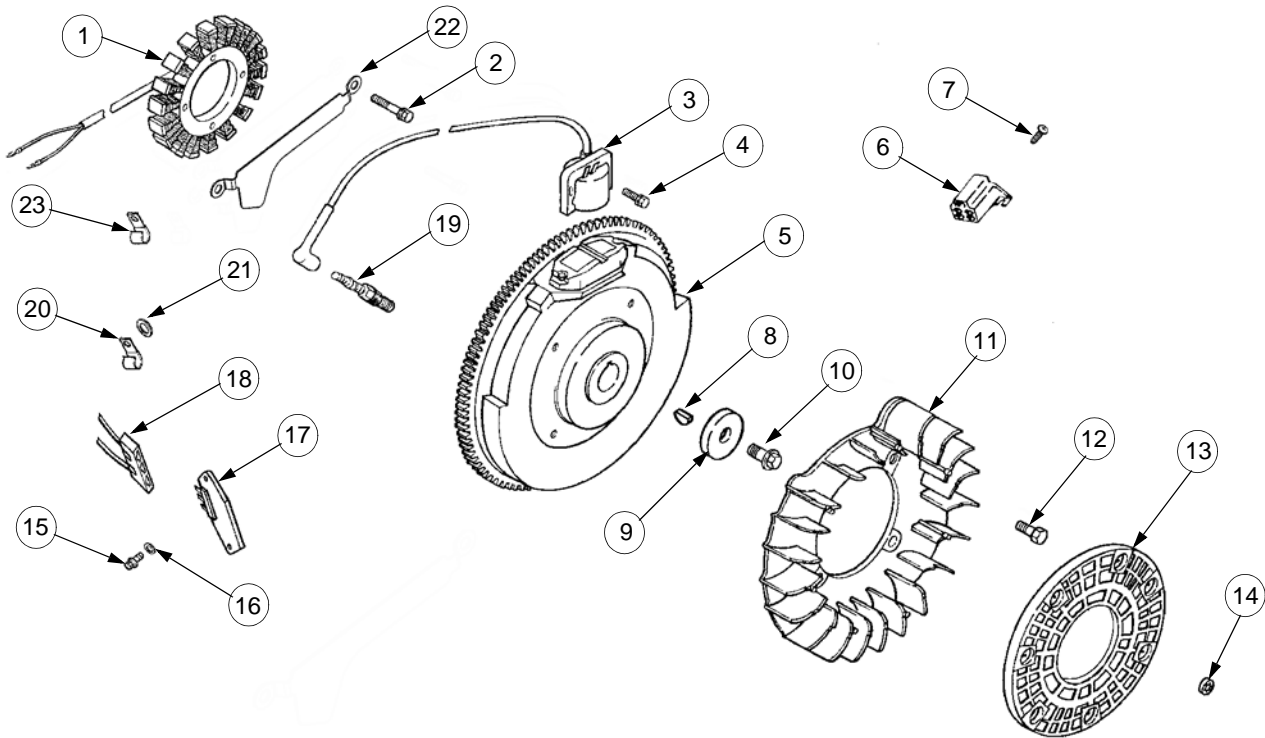
REF. NO.	PART NUMBER	DESCRIPTION	QTY.
1	KH-52-353-20	Line, Fuel 10"	2
2	KH-25-237-14-S	Clamp, Hose	4
3	KH-24-853-35-S	Kit, Carburetor w/Gasket (Includes 4-6)	1
4	KH-24-041-53-S	Gasket, Carburetor	1
5		Carburetor Assembly Not available separately	1
6	KH-24-041-06	Gasket, Air Cleaner Base	1
7	KH-M-651025-S	Screw, Hex Flange, M6 x 1.0 x 25	2
8	KH-24-050-02	Filter, Fuel	1
9	KH-24-353-12	Line, Fuel 11"	1
		Not Illustrated	
	723-3066-14	Insulator, Foam Fuel Line	1
	KH-24-518-24-S	Lead, Ground	1
	KH-24-757-01	Kit, Solenoid — Includes Solenoid Screw [qty. 2], O-Ring , O-Ring , O-Ring , Solenoid Assembly & Solenoid Seat.	1
	KH-24-757-02	Kit, Float Repair — Includes Carbu- retor Body Gasket, Float Screw, Float Assembly and Float Shaft.	1
	KH-24-757-03	Kit, Carburetor Repair — Includes Carburetor Gasket; Carburetor Body Screw; Idle Needle Spring; U-Ring; Slow Jet O-Ring; Main Jet Screw O-Ring; Solenoid O-Rings; Inlet Needle Valve Clip; Idle Nee- dle and Inlet Needle Valve.	1
	KH-24-757-07	Kit, Choke Repair — Includes Choke Plate Screws; Choke Spring; Choke Lever; Choke Shaft; Choke Plate; Choke Bush- ings; and Choke Lever Cap.	1
	KH-24-755-125-S	Kit, High Altitude	1

ELECTRIC START



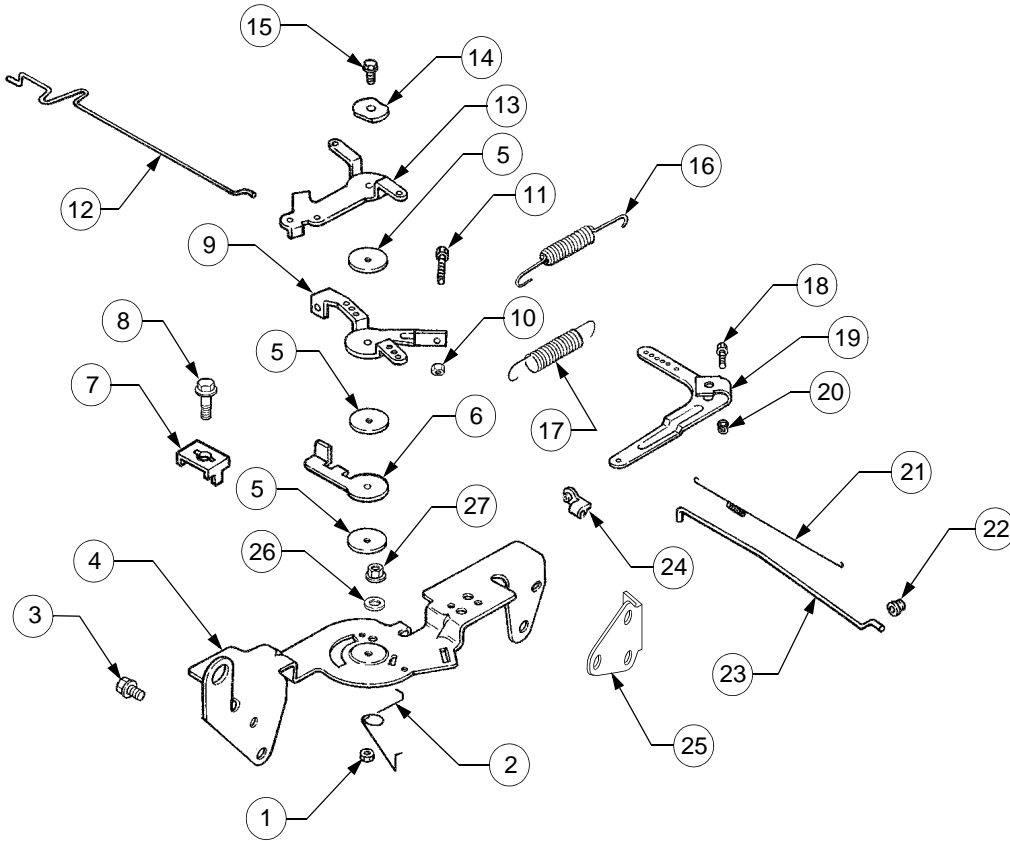
REF. NO.	PART NUMBER	DESCRIPTION	QTY.
1	KH-M-0841080	Nut, Hex Flange M8 x 1.25"	1
2	KH-M-839080	Screw, Hex Flange M8 x 1.25 x 80	2
3	KH-25-098-09-S	Starter, Solenoid Shift Assembly . (Includes 4-6)	1
4	KH-25-435-04-S	Kit, Solenoid	1
5	KH-25-755-33-S	Kit, Pinion Drive (Includes 6)	1
6	KH-25-221-01-S	Kit, Brush	1
7	KH-25-141-05-S	Ring, Retainer	1
8	KH-25-086-113-S	Screw, External Torx Hd.	3

IGNITION, ELECTRICAL AND FLYWHEEL



REF. NO.	PART NUMBER	DESCRIPTION	QTY.
1	KH-54-755-09	Stator Kit, 15 Amp (Incl. Ref #22)	1
2	KH-M-0548025	Screw, Stator Mtg. M5 x .8 x 25	2
3	KH-24-584-01-S	Module, Ignition	2
4	KH-M-545020-S	Screw, Module M5 x .8 x 20	4
5	KH-24-025-01	Flywheel Assembly	1
6	KH-25-155-06	Connector	1
7	KH-25-086-91-S	Screw	2
8	KH-X-42-15	Key	1
9	KH-12-468-03	Washer, Flywheel Mtg. Screw	1
10	KH-12-086-14	Screw, Flywheel Mtg, M10x1.5 x 46	1
11	KH-24-157-01	Fan	1
12	KH-25-086-47	Bolt, Shoulder	4
13	KH-24-162-02	Screen, Grass	1
14	KH-24-018-03	Retainer	3
15	KH-24-086-18	Screw Phillips Hd., #11-16 x .875	2
16	KH-X-25-92	Washer, Plain	3
17	KH-41-403-09	Regulator - Rectifier	1
18	KH-236602	Connector, Regulator-Rectifier	1
19	759-3336	Spark Plug	2
20	KH-235173	Clip, Cable	1
21	KH-X-25-63	Washer, Plain 1/4"	1
22	KH-24-126-71	Bracket, Stator Wire	1
23	KH-48-154-02	Clip, Cable	1
	KH-24-176-08	Harness, Wire	1
	KH-25-454-03-S	Tir, Wire	2
	KH-24-126-137-S	Bracket, Ground Strap	1

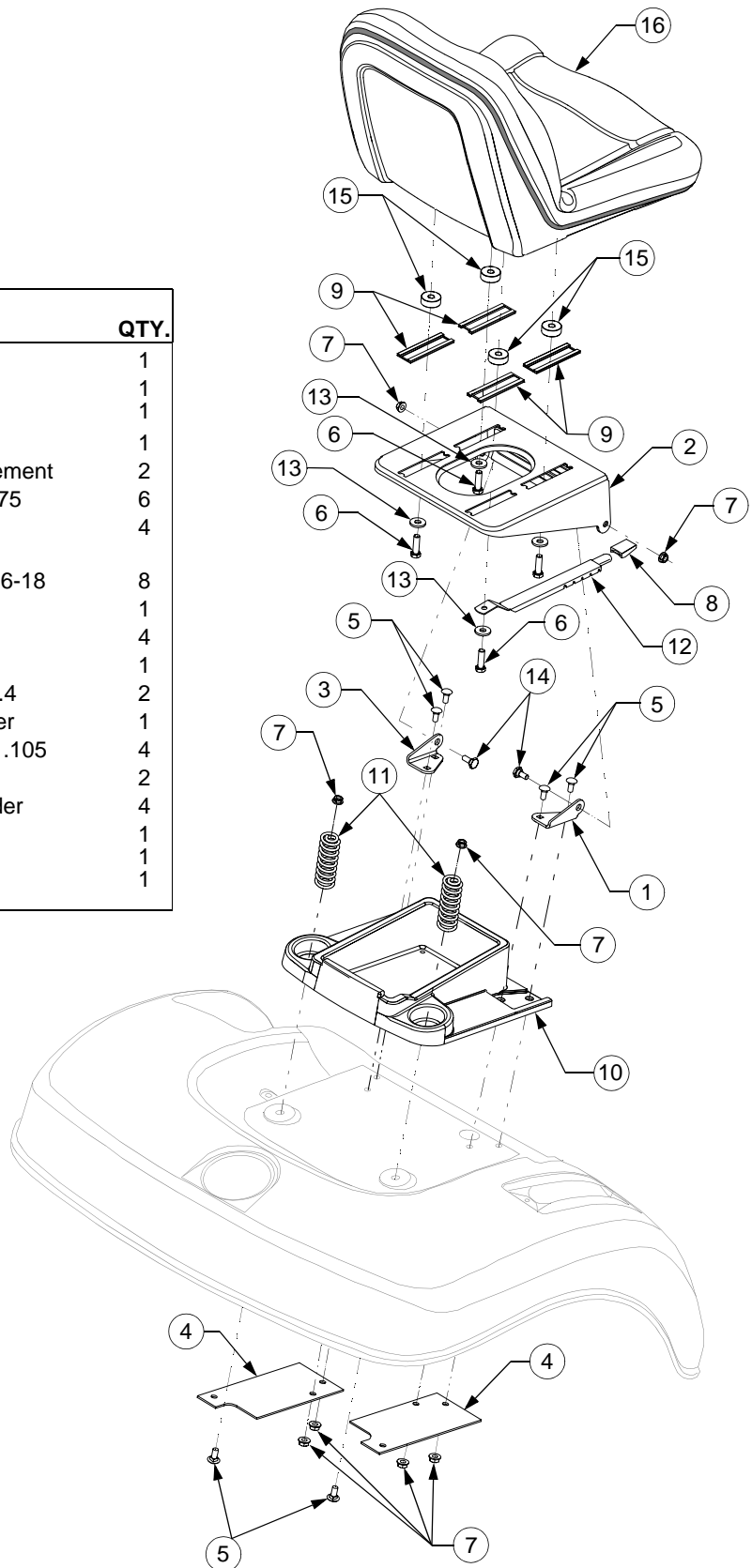
ENGINE CONTROLS



REF. NO.	PART NUMBER	DESCRIPTION	QTY.
1	KH-M-0547050	Nut, Hex Lock M5 x 0.8	1
2	KH-24-089-03	Spring, Choke Return	1
3	KH-M-645016-S	Screw, Hex Flange M6 x 1.0 x 16	4
4	KH-24-126-56	Bracket, Control	1
5	KH-24-468-01	Washer , Plain 5.5mm	3
6	KH-24-090-07	Lever, Throttle Actuator	1
7	KH-12-237-01	Clamp, Cable	2
8	KH-M-545016-S	Screw, Hex Flange M5 x 0.8 x 16	3
9	KH-24-090-13	Lever, Throttle Control	1
10	KH-M-446030-S	Nut, Hex M4 x 0.7	1
11	KH-M-401030-S	Screw, Hex Cap M4 x 0.7 x30	1
12	KH-24-079-21-S	Linkage, Choke	1
13	KH-24-090-05	Lever, Choke	1
14	KH-41-468-03	Washer, Spring 1/4"	1
15	KH-M-0545020	Screw, Hex Flange M5 x 0.8 x 20	1
16	KH-24-089-51	Spring, Throttle Limiter	1
17	KH-24-089-48-S	Spring, Governor	1
18	KH-24-211-03	Screw, Round Hd. Square Neck	1
19	KH-24-090-33	Lever, Governor	1
20	KH-M-0641060	Nut, Hex Flange M6 x 1.0	1
21	KH-24-089-01	Spring, Linkage	1
22	KH-25-158-08	Bushing, Linkage Retaining	1
23	KH-24-079-01	Linkage, Throttle	1
24	KH-25-158-11	Bushing, Linkage Retaining	1
25	KH-24-126-04	Bracket, Support	2
26	KH-X-20-1-S	Washer	1
27	KH-M-541050-S	Nut, Hex	1

SEAT AND SUPPORT

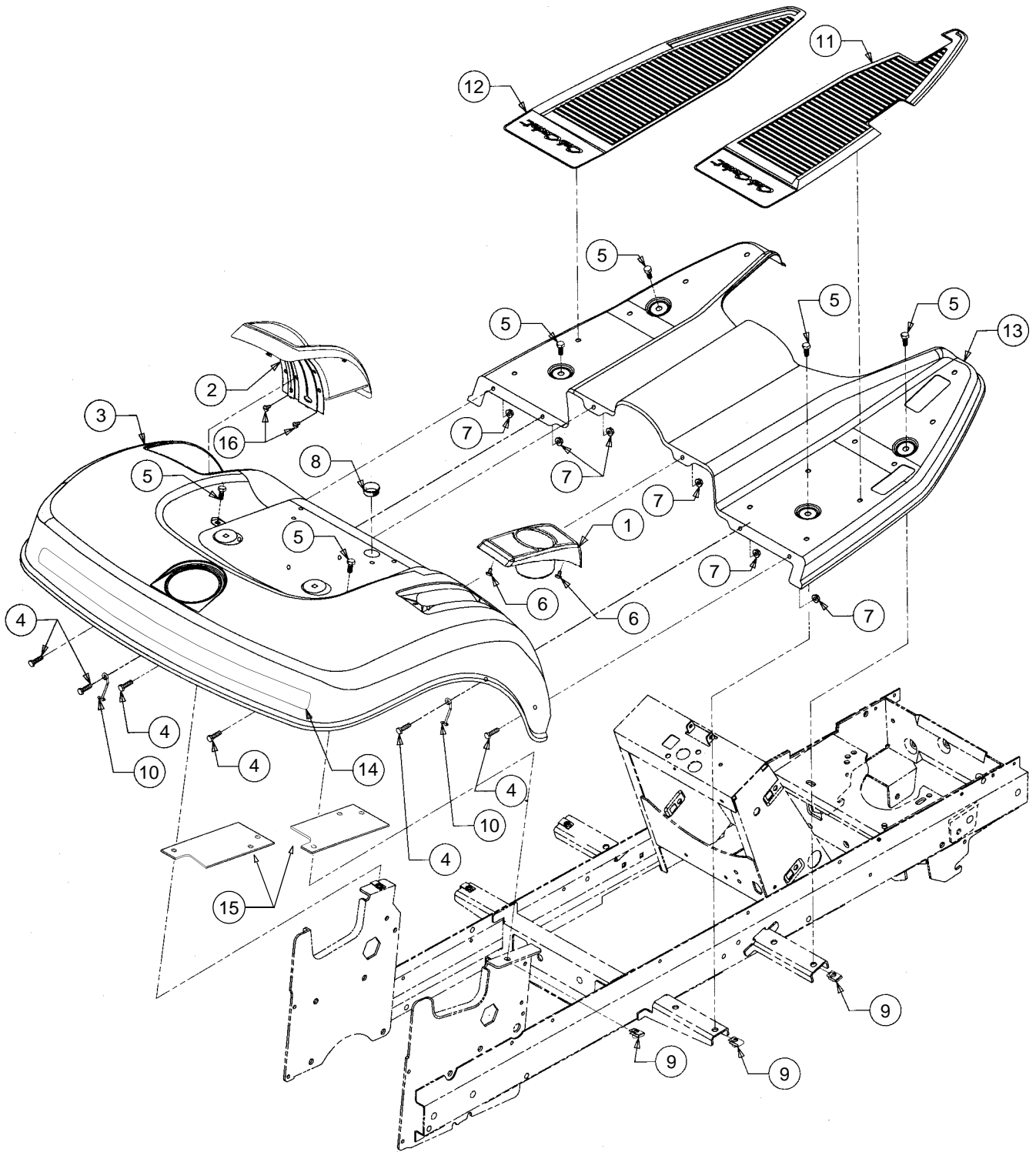
REF. NO.	PART NUMBER	DESCRIPTION	QTY.
1	703-2394	Bracket, RH Seat Pivot	1
2	703-2395A	Seat, Base	1
	777120310	Graphic, Seat Adjuster	1
3	703-2477	Bracket, LH Seat Pivot	1
4	703-2628	Bracket, Fender Reinforcement	2
5	710-0451	Bolt, Carriage, 5/16-18 x .75	6
6	710-3123	Screw, Hx Cap Lock, 3/8-16 x 1.25 GR5	4
7	712-04054	Nut, Hex Flange Lock, 5/16-18	8
8	720-0190	Knob, Seat Adjuster	1
9	731-3154	Slide, Seat	4
10	731-3162	Tray, Tool	1
11	732-3080A	Spring, Comp, 1.9 OD x 2.4	2
12	732-04100	Index Spring, Seat Adjuster	1
13	736-3052	Washer, Flat, .406 x 1.0 x .105	4
14	738-0140	Bolt, Shoulder	2
15	738-04013A	Spacer, Seat Slide Shoulder	4
16	757-04005	Seat, High Back	1
	777D06883	Graphic, Seat Back	1
	777D01782	Graphic, Made in USA	1



GRILLE, HOOD AND SIDE PANELS

REF. NO.	PART NUMBER	DESCRIPTION	QTY.
1	603-0211	Bracket, Grille LH	1
2	603-0212	Bracket, Grille RH	1
3	603-04191	Bracket, Upper Hood	1
4	703-2396	Panel, RH Side	1
	777D07672	Graphic, GT 2186	1
	777X40079	Strip, Protective	1
5	703-2397	Panel, LH Side	1
	777D07672	Graphic, GT 2186	1
	777X40079	Strip, Protective	1
6	703-2398	Grille	1
	777I20314	Graphic, Warning HOT	1
7	703-2465	Link, Short Hood	2
8	703-2466A	Link, Long Hood	2
9	703-2495	Screen, LH Panel	1
10	703-2496	Screen, RH Panel	1
11	710-0351	Screw, Truss Mach Tapp, #10 x .50	6
12	710-0599	Screw, Hex Wash Hd Tapp, 1/4 x .50	4
13	712-3027	Nut, Hex Flange Lock, 1/4-20	8
14	712-0397	Nut, Wing, 1/4-20	2
15	726-0139	Nut, U-Type Speed, #10	2
16	625-04001A	Headlight Assy (Includes Lamp and Socket)	1
	725-0963	Lamp, 12V	2
	725-1649	Socket, Lamp	2
	777X41348	Reflector, Headlight	1
17	732-0334	Spring, Compression, .50 OD x .50	4
18	732-1178	Spring, Hood Latch	1
19	736-0175	Washer, Spring, .265 x .562 x .025	8
20	736-0400	Washer, Flat, .218 x .62 x .063	2
21	738-3141	Bolt, Shoulder, .31 Dia x .75 Lg	2
22	748-3055	Bushing, Tapered	4
23	959-3747B	Hood, Series 2000	1
	777D07681	Graphic, Hood - RH	1
	777D07682	Graphic, Hood - LH	1
24	710-0436	Screw, Hex Tapp, 10-16 x .625	2
25	710-1005	Screw, Hex Wash Hd Tapp, 1/4-14 x .5	2
26	723-3061-19	Seal, Heat Baffle	19in

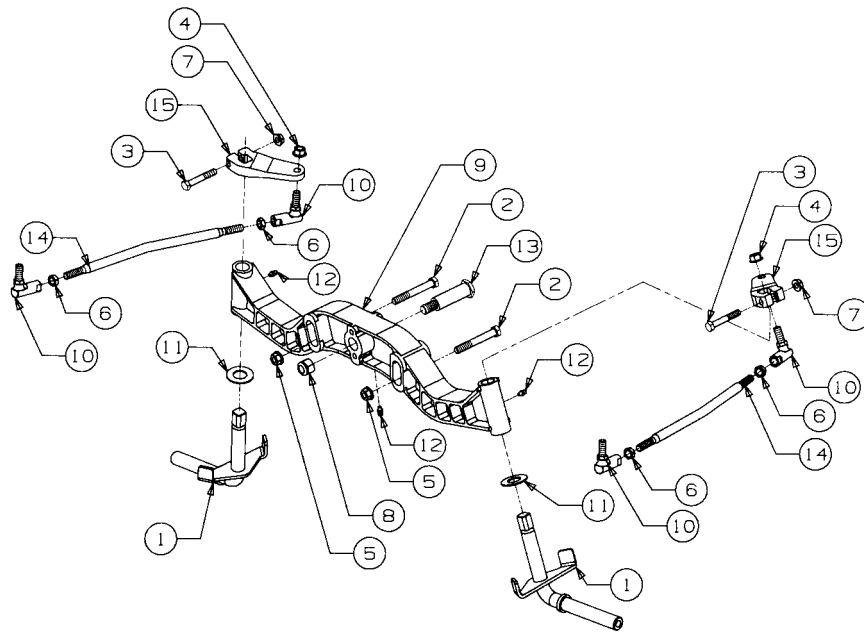
FENDER AND RUNNING BOARD



FENDER AND RUNNING BOARD

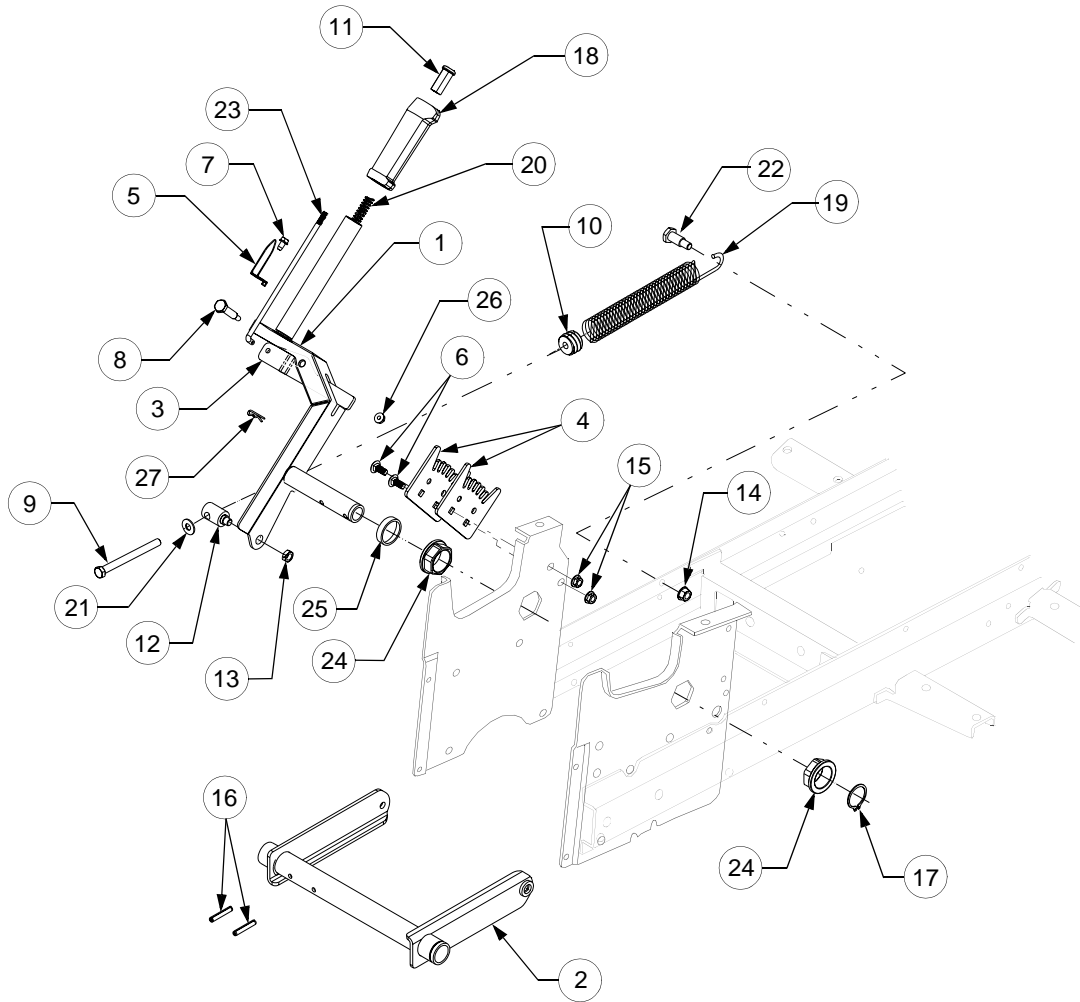
REF. NO.	PART NUMBER	DESCRIPTION	QTY.
1	731-3212A	Cup Holder	1
2	631-3002	Cover, Implement Lift	1
3	703-2278B	Fender	1
4	710-0751	Screw, Hex Cap, 1/4-20 x .62 GR5	6
5	710-1260A	Screw, Hex Wash Hd Tapp 5/16-18 x .750	6
6	710-1268	Screw, Hex Tapp, #10 x .38 Lg	2
7	712-3027	Nut, Hex Flange Lock, 1/4-20	6
8	723-3042	Bushing, Snap, 7/8 ID	1
9	726-0211	U-Nut, 5/16-18	6
10	732-3122	Retainer, Hook	2
11	735-3046A	Pad, RH Foot	1
12	735-3047	Pad, LH Foot	1
13	703-2279	Running Board w/Graphic	1
	777S30170	Graphic, Warning	1
14	777D07926	Graphic, Rear Fender	1
15	703-2628	Bracket, Fender Reinforcement	2
16	710-0224	Screw, Hex Tapp, #10-16 x .5 Lg.	4

FRONT AXLE AND CONNECTIONS



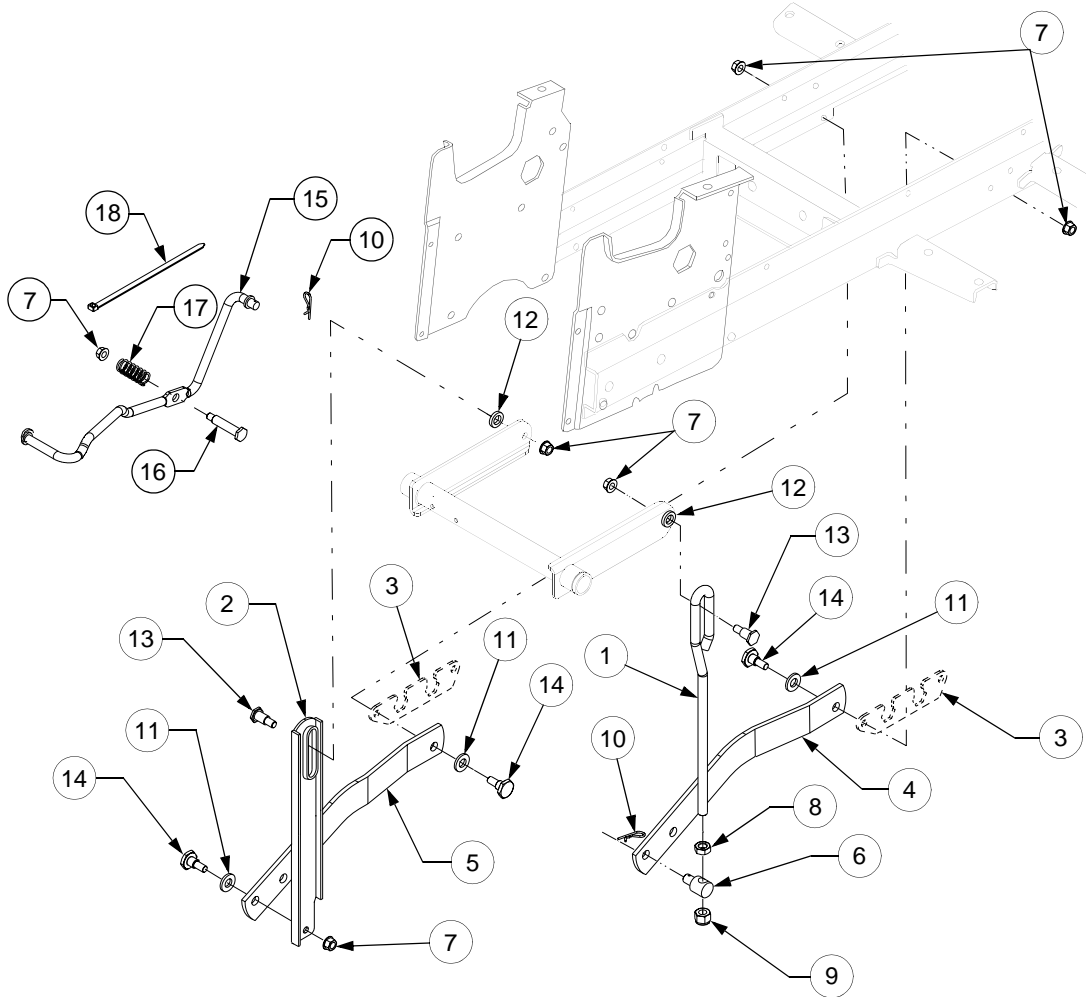
REF. NO.	PART NUMBER	DESCRIPTION	QTY.
1	603-0066	Knuckle Assembly, Steering	2
2	710-3066	Screw, Hex Cap, 3/8-16 x 2.75 GR8	2
3	710-3103	Screw, Hex Cap, 5/16-18 x 2 GR5	2
4	712-3054	Nut, Hex Lock, 3/8-24 GR5	2
5	712-0431	Nut, Hex Flanged Lock, 3/8-16	2
6	712-0711	Nut, Hex Jam, 3/8-24 GR2	4
7	712-3004A	Nut, Hex Flange Top Lock, 5/16-18	2
8	712-3083	Nut, Hex Top Nylon Lock, 1/2-13	1
9	719-3095	Axle, Front Pivot	1
10	723-0156	Joint, Ball, 3/8-24	4
11	736-0188	Washer, Flat, .760 x 1.49 x .06 Thk.	2
12	737-3000	Fitting, Lube, 3/16 Drive Type	3
13	738-3110	Bolt, Pivot Shoulder, 3/4 Dia x 2.23	1
14	747-3171	Rod, Tie	2
15	748-3049	Arm, Steering	2

IMPLEMENT LIFT HANDLE



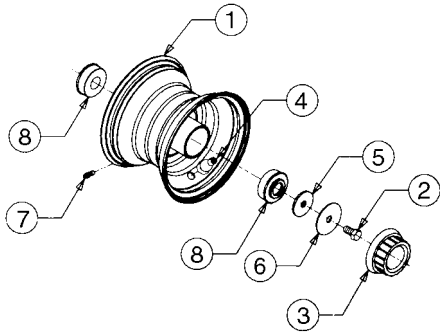
REF. NO.	PART NUMBER	DESCRIPTION	QTY.	REF. NO.	PART NUMBER	DESCRIPTION	QTY.
1	603-04141	Handle Assembly, Lift	1	14	712-0431	Nut, Hex Flanged Lock, 3/8-16	1
2	603-0059A	Shaft Assembly, Lift	1	15	712-3004A	Nut, Hex Flanged Top Lock, 5/16-18	2
3	603-05247	Fork, Lift	1	16	715-0114	Pin, Spiral Spring, 1/4 Dia x 1.5	2
4	703-2239A	Bracket, Lift Index	2	17	716-0116	Ring, Snap, 1.25 Dia Shaft	1
5	703-2558	Indicator, Lift Height	1	18	731-3158	Grip, Lift Handle	1
6	710-0451	Bolt, Carriage, 5/16-18 x .75	2	19	732-3093	Spring, Extension	1
7	710-0599	Screw, Hex Wash Tapp, 1/4 x .5	1	20	732-3097	Spring, Compression	1
8	738-0560	Screw, Shoulder, .374 x 1.375	1	21	736-0267	Washer, Flat, .385 x .87 x .06	1
9	710-3279	Screw, Hex Cap, 3/8-16 x 4.25 GR5	1	22	738-0145	Bolt, Shoulder	1
10	711-0635	Insert, Spring	1	23	747-3175A	Rod, Index	1
11	711-0642A	Button, Handle	1	24	748-3051	Bearing, Hex Flange, 1.25 ID	2
12	711-3350	Ferrule, Adjustment	1	25	750-3131	Spacer, 1.28 ID x 1.5 OD x .335 Lg	1
13	712-0262	Nut, Hex Center Lock, Jam, 3/8-24	1	26	712-3027	Nut, Hex Flange Lock, 1/4-20	1
				27	714-0104	Pin, Internal Cotter	1

IMPLEMENT LIFT HANGER



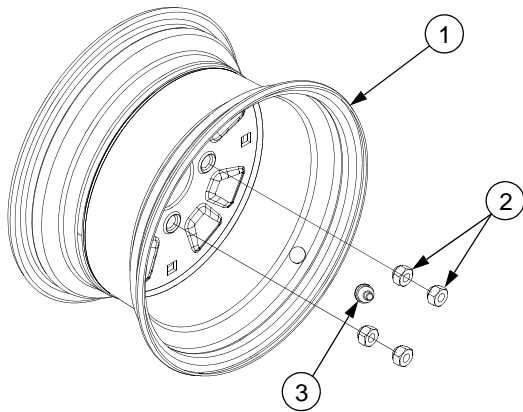
REF. NO.	PART NUMBER	DESCRIPTION	QTY.
1	747-04196	Rod, Lift Link	1
2	703-2234	Bracket, LH Hanger	1
3	703-2804	Plate, Bearing Mounting	2
4	703-2832	Link, RH Lift	1
5	703-2833	Link, LH Lift	1
6	711-3319	Ferrule, Adjustment	1
7	712-0431	Nut, Hex Flange Lock, 3/8-16	6
8	712-3048	Nut, Hex Jam, 1/2-13 GR5	1
9	712-3083	Nut, Hex Insert Lock, 1/2-13	1
10	714-0145	Pin, Internal Cotter	2
11	736-0326	Washer, Flat, .5 x 1.5 x .15	3
12	736-3069	Washer, Flat, .531 x .875 x .15	2
13	738-0430	Bolt, Shoulder	2
14	738-0507B	Bolt, Shoulder	3
15	747-3236A	Rod, Lift Assist	1
16	738-0129	Bolt, Shoulder, 3/8-16: .5 x 2.0	1
17	732-3094	Spring, Compression, .63 ID x 2.0	1
18	726-0209	Tie, Cable	1

FRONT WHEEL



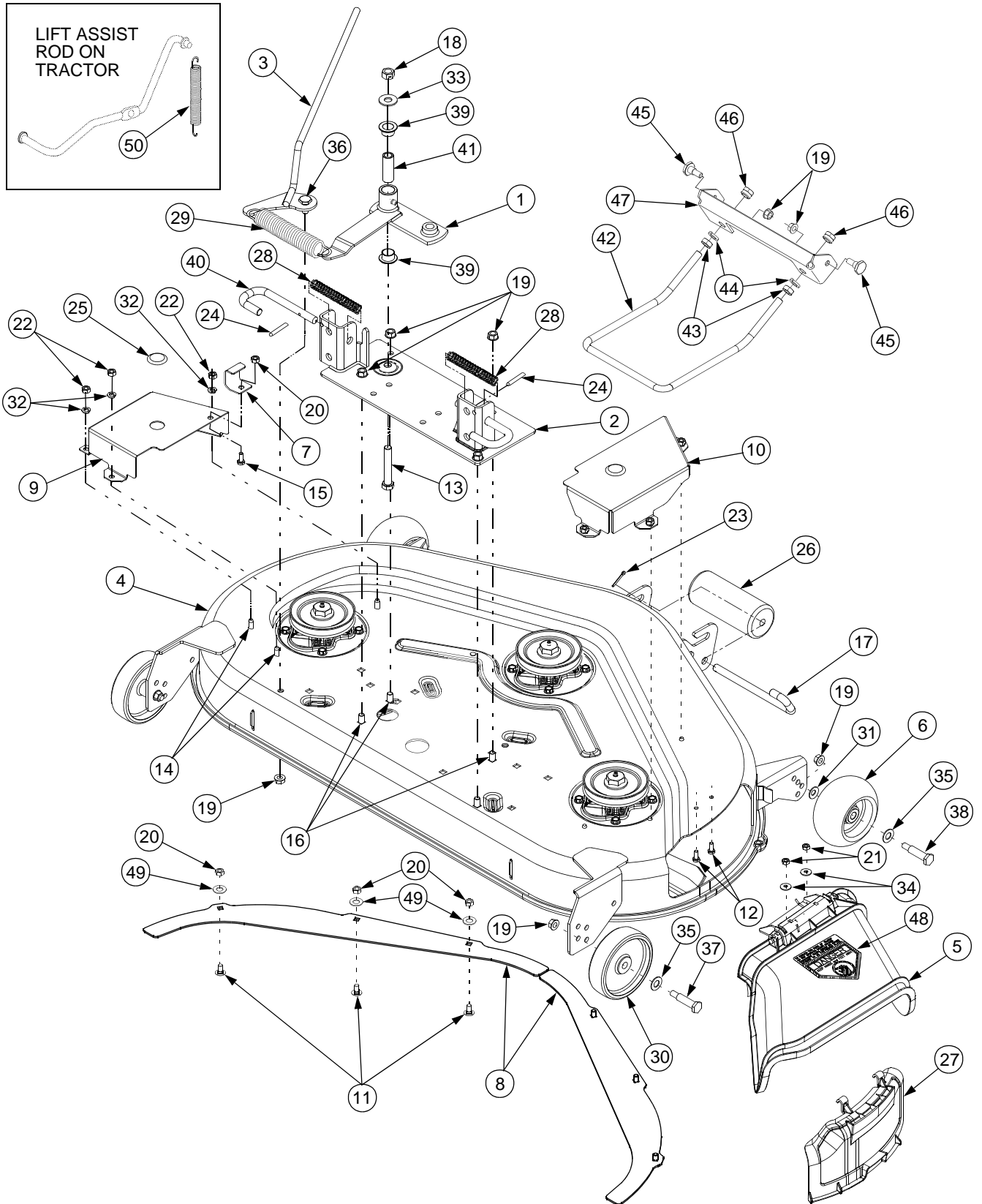
REF. NO.	PART NUMBER	DESCRIPTION	QTY.
	734-3187	Tire, Cub Tread, 16 x 6.5 x 8	2
1	634-3016	Rim Assy, Front	2
2	710-3119	Bolt, Hex Patch, 3/8-16 x .75 GR5	2
3	731-3020	Cap, Hub	2
4	734-0255	Valve, Tubeless Air	2
5	736-3039	Washer, Flat, .406 x 1.5 x .110	2
6	736-3040	Washer, Flat, .406 x 1.92 x .06	2
7	737-0224	Fitting, Grease	2
8	741-3032	Bearing, Ball	4

REAR WHEEL



REF. NO.	PART NUMBER	DESCRIPTION	QTY.
	734-3190	Tire, Cub Tread, 23 x 9.5 x 12	2
1	634-3189	Rim Assy, Rear	2
2	712-3050	Nut, Lug, 7/16-14	8
3	734-0255	Valve, Tubeless Air	2

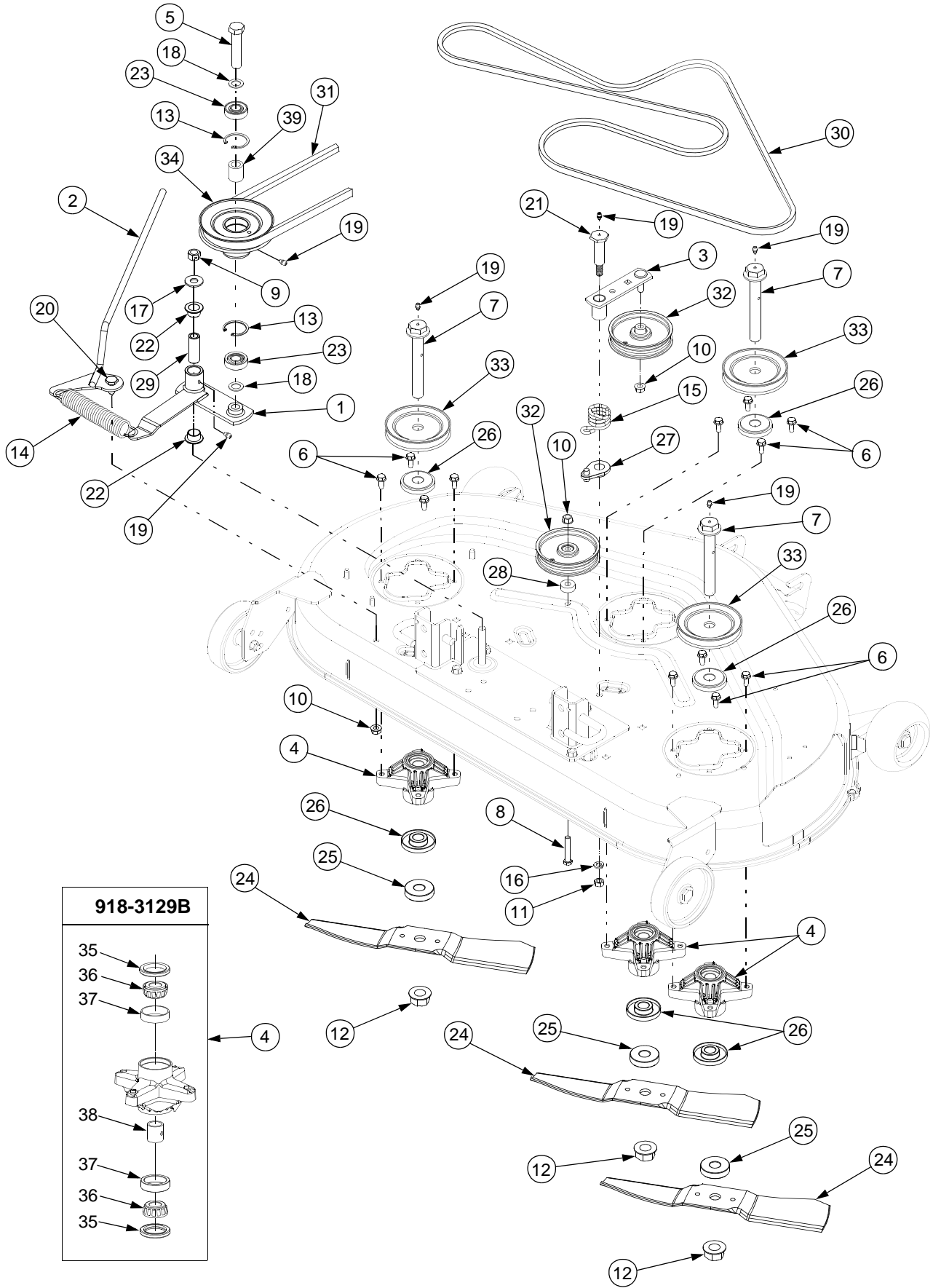
44" DECK ASSEMBLY



44" DECK ASSEMBLY

REF. NO.	PART NUMBER	DESCRIPTION	QTY.
1	603-0857	Idler Assembly	1
2	603-0183A	Plate Assy, Mounting	1
3	603-0203	Handle, Tension	2
4	603-0729	Deck Housing Assembly	1
	777S30014	Graphic, Warning	1
	777S30018	Graphic, Deck Safety	1
	777S30503	Graphic, Deck Safety	1
5	631-0094	Chute Assembly, Discharge	1
6	703-1890	Wheel, Deck w/Fitting	2
7	703-2559	Bracket, Stop	1
8	703-3359	Baffle, Skirt	2
9	703-3742	Belt Cover, LH	1
10	703-3743	Belt Cover, RH	1
11	710-0260A	Bolt, Carriage, 5/16-18 x .62	6
12	710-0751	Screw, Hex Cap, 1/4-20 x .62	2
13	710-1010	Screw, Hex Cap, 1/2-20 x 3.0	1
14	710-1611B	Screw, Self Tap, 5/16-18 x .75	6
15	710-3008	Screw, Hex Cap, 5/16-18 x .75	1
16	710-3178	Bolt, Carriage, 3/8-16 x .75 GR5	4
17	711-3314	Pin, Roller, 1/2 Dia x 7.31	1
18	712-0239	Nut, Hex Lock, 1/2-20	1
19	712-0431	Nut, Flange Lock, 3/8-16	11
20	712-3004A	Nut, Flange Lock, 5/16-18	7
21	712-3006	Nut, Hex, 1/4-20 GR5	2
22	712-3010	Nut, Hex, 5/16-18, GR5	6
23	714-0115	Pin, Cotter, 1/8 Dia x 1	1
24	715-3003	Pin, Spiral Spring, 3/16 Dia x .75	2
25	726-3045	Button Plug	2
26	731-3005	Front Roller	1
27	731-3316	Plug, Mulch	1
28	732-3127	Spring, Comp, .66 OD x 1.8	2
29	732-0861	Spring, Ext, .162 Dia x 1.25 OD	1
30	734-0973	Wheel, Deck, 5.0 x 1.38	2
31	736-0105	Washer, Bell, .401 x .870 x .063	2
32	736-0119	Washer, Lock, 5/16	6
33	736-0179	Washer, Flat, 1/2 x 1.25 x .10	1
34	736-0270	Washer, Bell, .265 x .75 x .062	2
35	736-0272	Washer, Flat, .510 x 1 x .060	4
36	738-0143	Bolt, Shoulder, .498 Dia x .340	1
37	738-0533	Screw, Shoulder, .498 x 1.635	2
38	738-3056	Bolt, Shoulder	2
39	741-0338	Bearing, Flange, 3/4 ID x .52 LG	2
40	747-3188	Pin, Mower Support	2
41	750-3136	Spacer, .5 OD x .75 x 2.07 Lg	1
42	747-3172B	Rod, Front Lift	1
43	712-3048	Nut, Hex Jam, 1/2-13 GR5	2
44	736-0921	Washer, Lock, 1/2	2
45	738-0507B	Bolt, Shoulder, .50 Dia. x .494 Lg	2
46	712-3083	Nut, Hex Insert Lock, 1/2-13	2
47	703-2248	Bracket, Front Lift	1
48	777S30145	Graphic, Danger	1
49	736-0226	Washer, Flat, .474 x .88 x .064	6
50	732-3126	Spring, Ext., .91" OD x 7.33	1

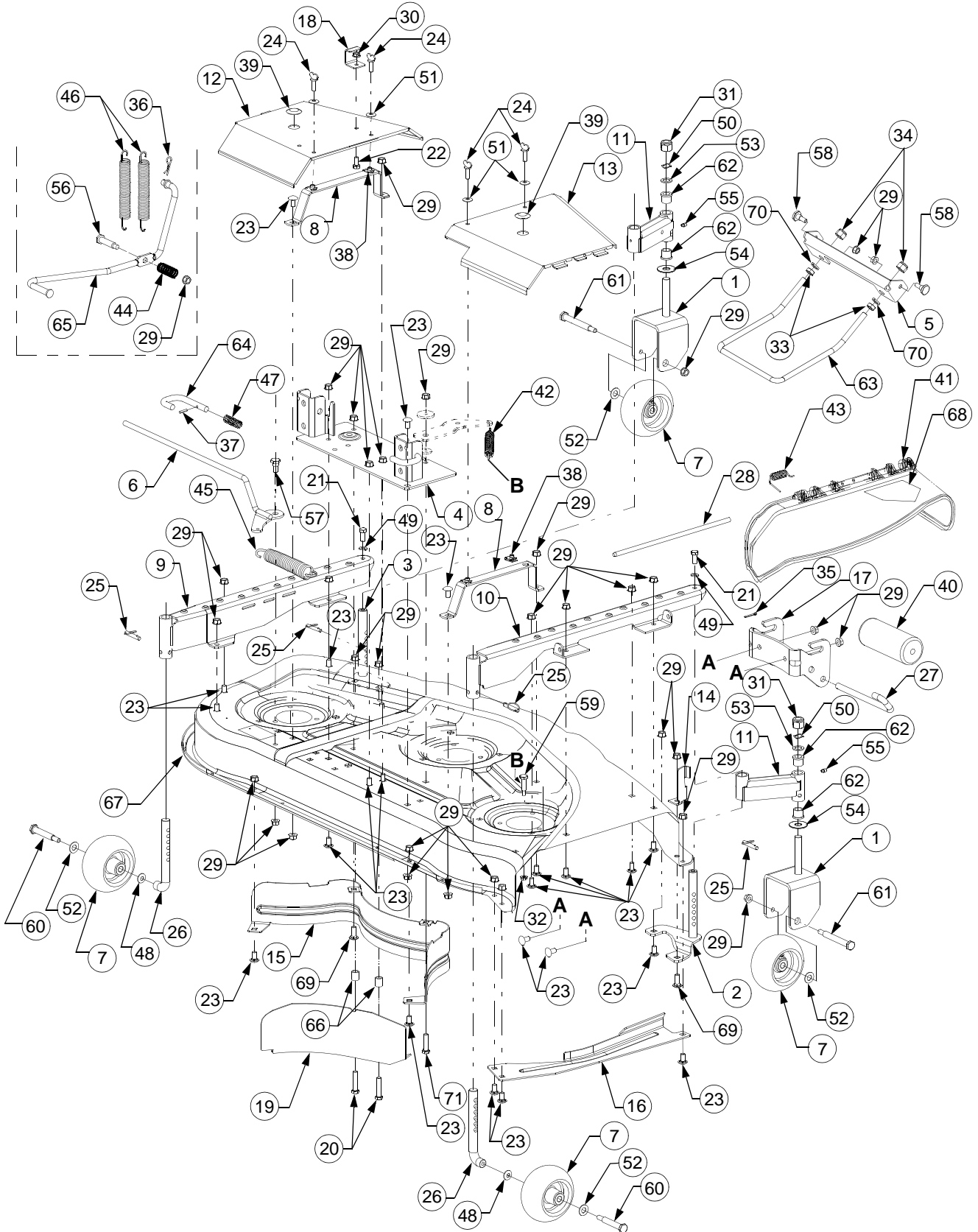
44" DECK DRIVE & SPINDLE ASSEMBLY



44" DECK DRIVE & SPINDLE ASSEMBLY

REF. NO.	PART NUMBER	DESCRIPTION	QTY.
1	603-0857	Idler Assembly	1
2	603-0203	Handle, Tension	2
3	703-0118	Idler Arm Assembly	1
4	918-3129B	Spindle Assembly — Includes Ref. Nos. 35, 36, 37 and 38	3
5	710-0923	Screw, Hex Cap, 5/8-18 x 3.0	1
6	710-1260A	Screw, Hex Wash Ld, 5/16-18 x .75	12
7	710-1852	Bolt, Spindle, 3/4-16 x 5.37	3
8	710-3144	Screw, Hex Cap, 3/8-16 x 2.0 GR5	1
9	712-0239	Nut, Hex Lock, 1/2-20	1
10	712-0431	Nut, Flange Lock, 3/8-16	3
11	712-3019	Nut, Hex, 7/16-14, GR2	1
12	712-3078	Nut, Hex Flange, 3/4-16	3
13	716-3020	Snap Ring, Internal	2
14	732-0861	Spring, Ext, .162 Dia x 1.25 OD	1
15	732-3067	Torsion Spring, Idler, 1.10 ID x 1.3	1
16	736-0171	Washer, Lock, 7/16	1
17	736-0179	Washer, Flat, 1/2 x 1.25 x .10	1
18	736-0237	Washer, Flat, .65 x 1.25 x .075	2
19	737-3000	Fitting, Lube, 3/16 Drive	6
20	738-0143	Bolt, Shoulder, .498 Dia x .340	1
21	738-3172	Screw, Shldr, .68 x 2.11, 7/16-14	1
22	741-0338	Bearing, Flange, 3/4 ID x .52 LG	2
23	741-1122	Bearing, Ball	2
24	759-3939	Blade, Mower, 15.94	3
25	948-3020	Spacer, Blade	3
26	748-3065	Spacer, Deck Spindle	6
27	748-3100	Retainer, Spring	1
28	750-3119	Spacer, .406 ID x 1.00 OD x .38	1
29	750-3136	Spacer, .5 OD x .75 x 2.07 Lg	1
30	754-3039	V-Belt, 1/2 x 103.0 Lg	1
31	754-04041	V-Belt, B sect x 111.2 Lg	1
32	756-3005	Pulley, Flat w/Flanges	2
33	756-3089	Pulley, V-Type, 4.0 Dia	3
34	756-3115	Pulley, Double Lube Fitting NOT included.	1
35	721-3018A	Seal, Oil, 1.25 x 1.874 x .25	6
36	741-04089	Bearing, Cone	6
37	741-04091	Cup, Bearing	6
38	750-3190A	Spacer, Bring, .780 x .963 x .777	3
39	750-3132	Spacer, .88 x .635 x 1.25	1

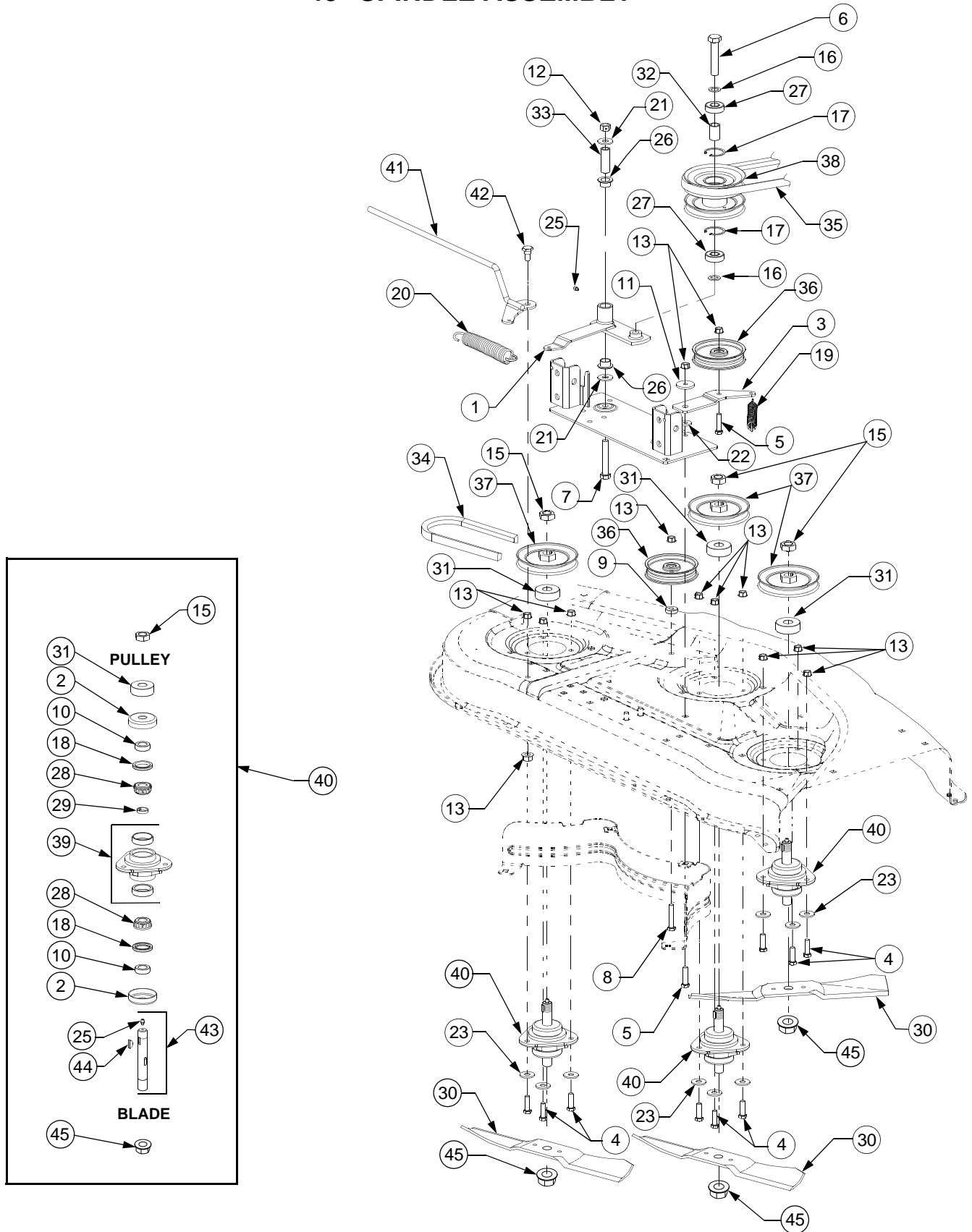
48" DECK ASSEMBLY



48" DECK ASSEMBLY

REF. NO.	PART NUMBER	DESCRIPTION	QTY.	REF. NO.	PART NUMBER	DESCRIPTION	QTY.
1	603-0031A	Bracket, Caster Wheel	2	38	726-0211	U-Nut, 5/16-18	4
2	603-0110	Spindle Assy, RH Front	1	39	726-3045	Plug, Button	2
3	603-0111	Spindle Assy, LH Front	1	40	731-3005	Roller	1
4	903-0183A	Plate Assy, Mounting	1	41	731-3131A	Deflector, Chute	1
5	703-2248	Bracket, Front Lift	1	42	732-0478	Spring, Extension, .75 OD x 6.12	1
6	603-0203	Handle, Tension	1	43	732-3070	Spring, Torsion	1
7	703-1890	Wheel, Ball w/Fitting, 5 in	4	44	732-3094	Spring, Compression, .63 ID x 2	1
	737-3000	Fitting, Lube, 3/16 Drive	4	45	732-0861	Spring, Extension, 1.25 OD x 7.2	1
8	703-2072	Strap, Mounting	2	46	732-3126	Spring, Extension, .91 OD x 7.33	2
9	703-2081A	Channel, LH Caster	1	47	732-3127	Spring, Compression	2
10	703-2083	Channel, RH Caster	1	48	736-0105	Washer, Bell, .380 x .88 x .062	2
11	703-2094	Caster Assembly, Front	2	49	736-0169	Washer, Lock, 3/8	2
12	703-2096B	Guard, LH Belt	1	50	736-0174	Washer, Wave, .625 x .885 x .015	2
13	703-3240	Guard, RH Belt	1	51	736-0242	Washer, Bell, .340 x .872 x .060	4
14	703-2121A	Stop, Chute Deflector	1	52	736-0272	Washer, Flat, .510 x 1 x .060	4
15	703-2161	Baffle, Rear Inner	1	53	736-0290	Washer, Flat, .63 x 1 x .063	2
16	703-2192	Guard, Finger	1	54	736-3088	Washer, Flat, .635 x 1.585 x .062	2
17	703-2479	Bracket, Front Roller	1	55	737-3000	Fitting, Lube, 3/16 Drive	2
18	703-2559	Bracket, Handle Stop	1	56	738-0129	Bolt, Shoulder	1
19	703-2607	Baffle	1	57	738-0143	Bolt, Shoulder, .498 Dia x .340	1
20	710-0347	Screw, Cap, 3/8-16 x 1.75 GR5	2	58	738-0507B	Bolt, Shoulder, .500 Dia x .434	2
21	710-3001	Screw, Cap, 3/8-16 x .88 GR5	2	59	738-0572	Bolt, Shoulder, .374 Dia x 1.16	1
22	710-3008	Screw, Cap, 5/16-18x .75 GR5	1	60	738-3056	Bolt, Shoulder	2
23	710-3178	Bolt, Carriage, 3/8-16 x .75 GR5	24	61	738-3093	Bolt, Step Shoulder	2
24	710-3232	Screw, Thumb Adj, 5/16-18 x 1	4	62	741-0353	Bearing, Flange	4
25	711-3266	Pin, Clevis w/Ball Detent	4	63	747-3172B	Rod, Front Lift	1
26	711-3312	Axle, Deck Caster	2	64	747-3188	Pin, Mower Support	2
27	711-3314	Pin, Roller, 1/2 Dia x 7.31	1	65	747-3237A	Rod, LH Lift Assist	1
28	711-1762	Pin, Hinge, .375 Dia x 14.06	1	66	750-0639	Spacer, .437 ID x .625 OD x .75	2
29	712-0431	Nut, Hex Flanged Lock, 3/8-16	32	67	759-3733	Deck Assembly w/Graphics	1
30	712-3004A	Nut, Hex Flanged Lock, 5/16-18	1		777S30014	Graphic, Caution Spring Tension	1
31	712-3016	Nut, Hex Top Lock, 5/8-11 GR5	2		777S30015	Graphic, Rider Danger	1
32	712-3027	Nut, Hex Flange Lock, 1/4-20	1		777S30503	Graphic, Danger	1
33	712-3048	Nut, Hex Jam, 1/2-13 GR5	2	68	777S30145	Graphic, Danger	1
34	712-3083	Nut, Hex Top Nylon Lock, 1/2-13	2	69	710-3168	Bolt, Carriage, 3/8-16 x 1.0 GR5	2
35	714-0115	Pin, Cotter, 1/8 Dia x 1	1	70	736-0921	Washer, Lock, 1/2	2
36	714-0145	Pin, Int. Cotter, .092 Dia. x 1.63	1	71	710-0520	Screw, Cap, 3/8-16 x 1.5 GR5	1
37	715-3003	Pin, Spirol, 3/16 x .75	2				

48" SPINDLE ASSEMBLY



48" SPINDLE ASSEMBLY

REF. NO.	PART NUMBER	DESCRIPTION	QTY.
1	603-0857	Pivot Arm, Double Pulley	1
2	703-1387	Cup, Spindle	6
3	703-2579	Arm, Idler	1
4	710-3005	Screw, Hex Cap 3/8-16 x 1.25 GR5	9
5	710-0520	Screw, Hex Cap, 3/8-16 x 1.5 GR5	2
6	710-0923	Screw, Hex Cap, 5/8-18 x 3 GR5	1
7	710-1010	Screw, Hex Cap, 1/2-20 x 3 GR8	1
8	710-3144	Screw, Hex Cap, 3/8-16 x 2	1
9	711-0242	Spacer, .380 ID x 1 OD x .32	1
10	711-3171A	Spacer, .755 ID x 1.25 OD x .44	6
11	711-3272A	Spacer, Shoulder	1
12	712-0239	Nut, Hex Center Lock, 1/2-20	1
13	712-0431	Nut, Hex Flanged Lock, 3/8-16	13
15	712-3026	Nut, Hex Jam, 3/4-16 GR5	3
16	736-0237	Washer, Flat, .65 x 1.25 x .075	2
17	716-3020	Snap Ring, Internal	2
18	721-3018A	Seal, Oil, 1.25 x 1.874 x .25	6
19	732-0478	Spring, Extension, .75 OD x 6.12	1
20	732-0861	Spring, Extension, 1.25 OD x 8.15	1
21	736-0179	Washer, Flat, .531 x 1.25 x .1 Thk	2
22	736-0258	Washer, Flat, .385 x 1 x .127 Thk	1
23	736-3052	Washer, Flat, .406 x 1.0 x .105	9
25	737-3000	Fitting, 3/16 Drive Lube	4
26	741-0338	Bearing, Flange, 3/4 ID x .53	2
27	741-1122	Bearing, Ball, .62 x 1.57 x .470	2
28	741-3028	Cone, Bearing	6
29	741-3030	Spacer, Bearing	3
30	742-3019	Blade, Low Lift, 16.5"	3
	742-3025	Blade, High Lift, 16.5"	3
	759-3677	Blade, Hard Coated, 16.5"	3
31	748-3020	Spacer	3
32	750-3132	Spacer, Pulley, .635 ID x .88 OD x	1
33	750-3136	Spacer, Idlr Brkt, .51 ID x .75 OD x	1
34	754-3041	Belt, Spindle, A-Section x 105"	1
35	754-04041	Belt, PTO, B-Section x 111.2"	1
36	756-3005	Pulley, Flat Idler, 4.06 OD	2
37	756-3046	V-Pulley, 4.70 OD	3
38	756-3116	Pulley, Double	1
	737-3000	Fitting, 3/16 Drive	1
39	759-3226	Housing w/Cups, Spindle	3
40	759-3665	Spindle Ass'y, Blade	3
41	603-0203	Handle, Tension	1
42	738-0143	Bolt, Shoulder, .498 Dia. x .340	1
43	759-3369	Kit, Shaft w/Seal	3
44	714-0135	Key, #91 Woodruff, 1/4 x 3/4	3
45	712-3078	Nut, Hex Flange, 3/4-16 (Optional)	3