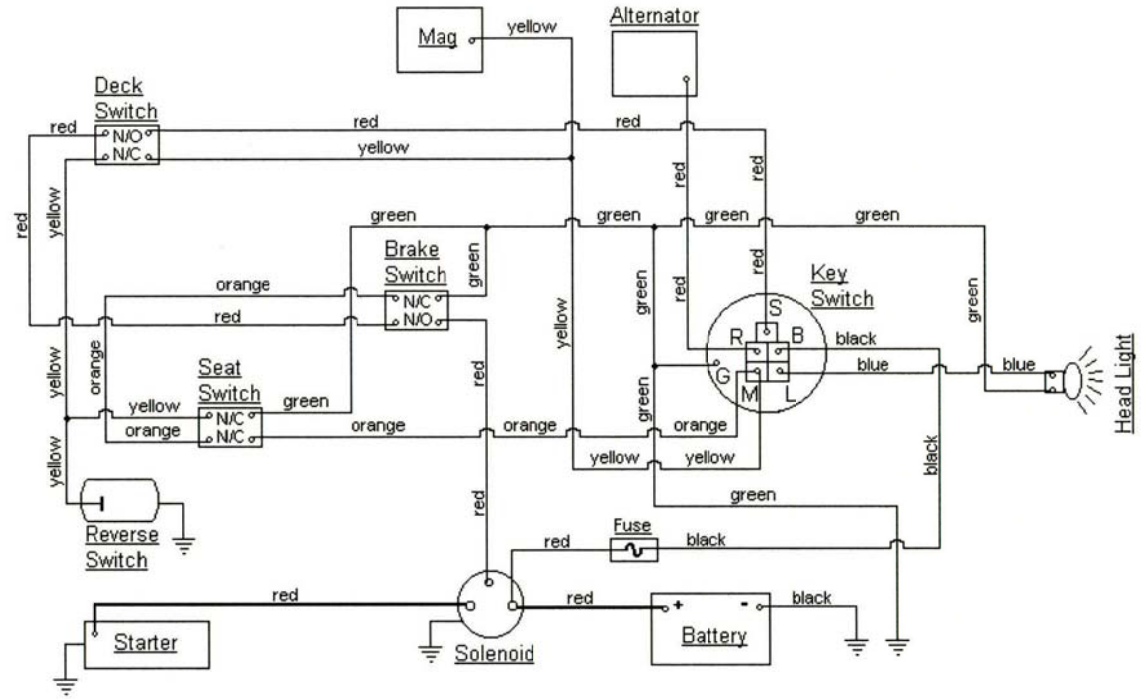


**MODEL 1030
(1993-1996)**



KEY SWITCH

OFF	M+G
RUN w/LIGHTS	B+L+R
RUN	B+R
START	B+S