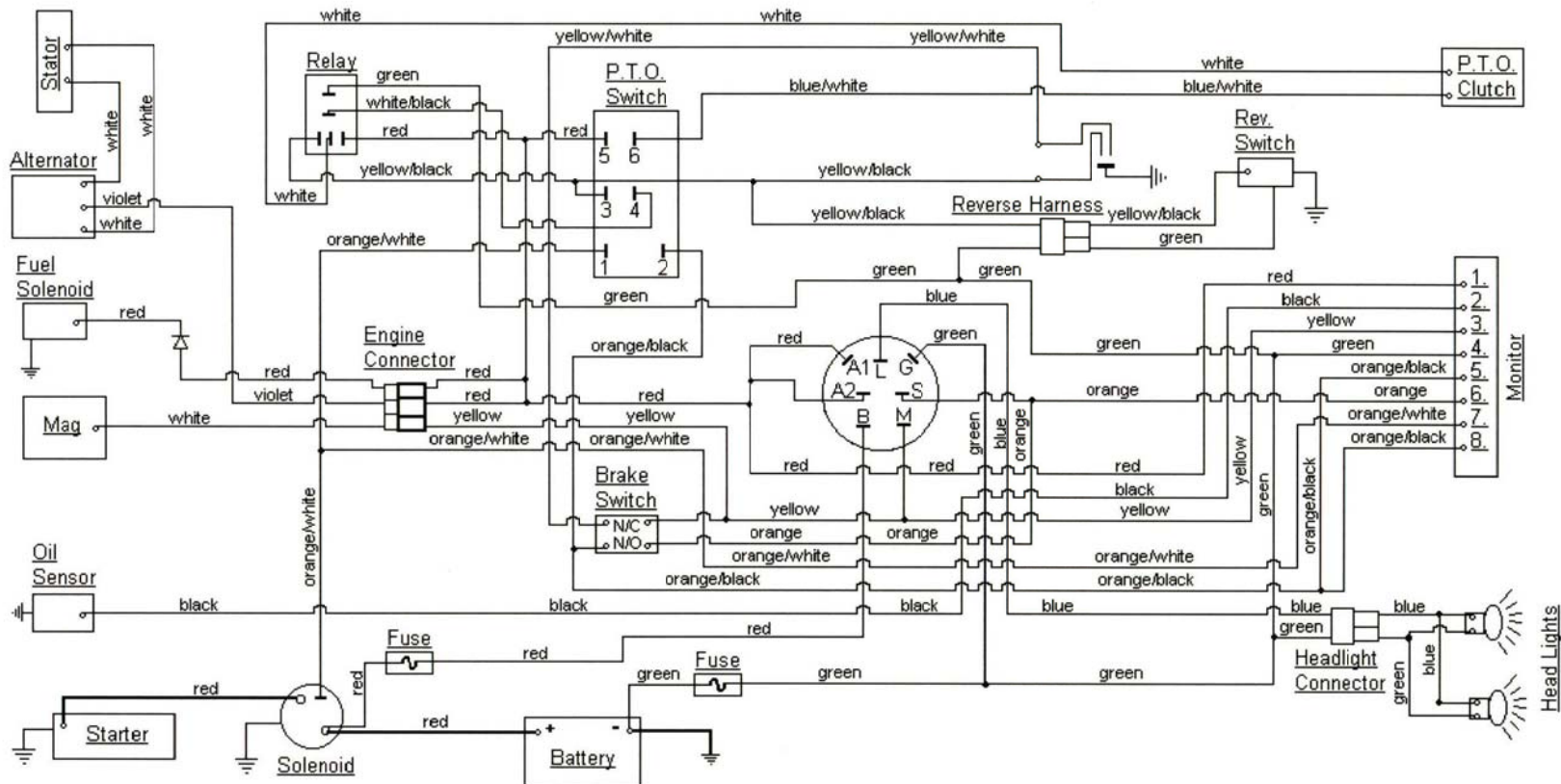


MODEL 1517
HARNESS NUMBER (629-1105)
MONITOR NUMBER (725-1976)

CUBCADETPARTSNMORE.COM
515-266-7944



KEY SWITCH

| | |
|--------------|-------------|
| OFF | M+G+A1 |
| RUN w/LIGHTS | B+A1 / L+A2 |
| RUN | B+A1 |
| START | B+S+A1 |

DASH MONITOR

| | | | |
|----|-------------|----|----------|
| 1: | HOURL METER | 5: | BRAKE + |
| 2: | BATTERY | 6: | BRAKE - |
| 3: | LOW OIL | 7: | P.T.O. - |
| 4: | GROUND | 8: | P.T.O. + |

HEADLIGHT HARNESS (629-0469A)
 REVERSE HARNESS (629-1106)