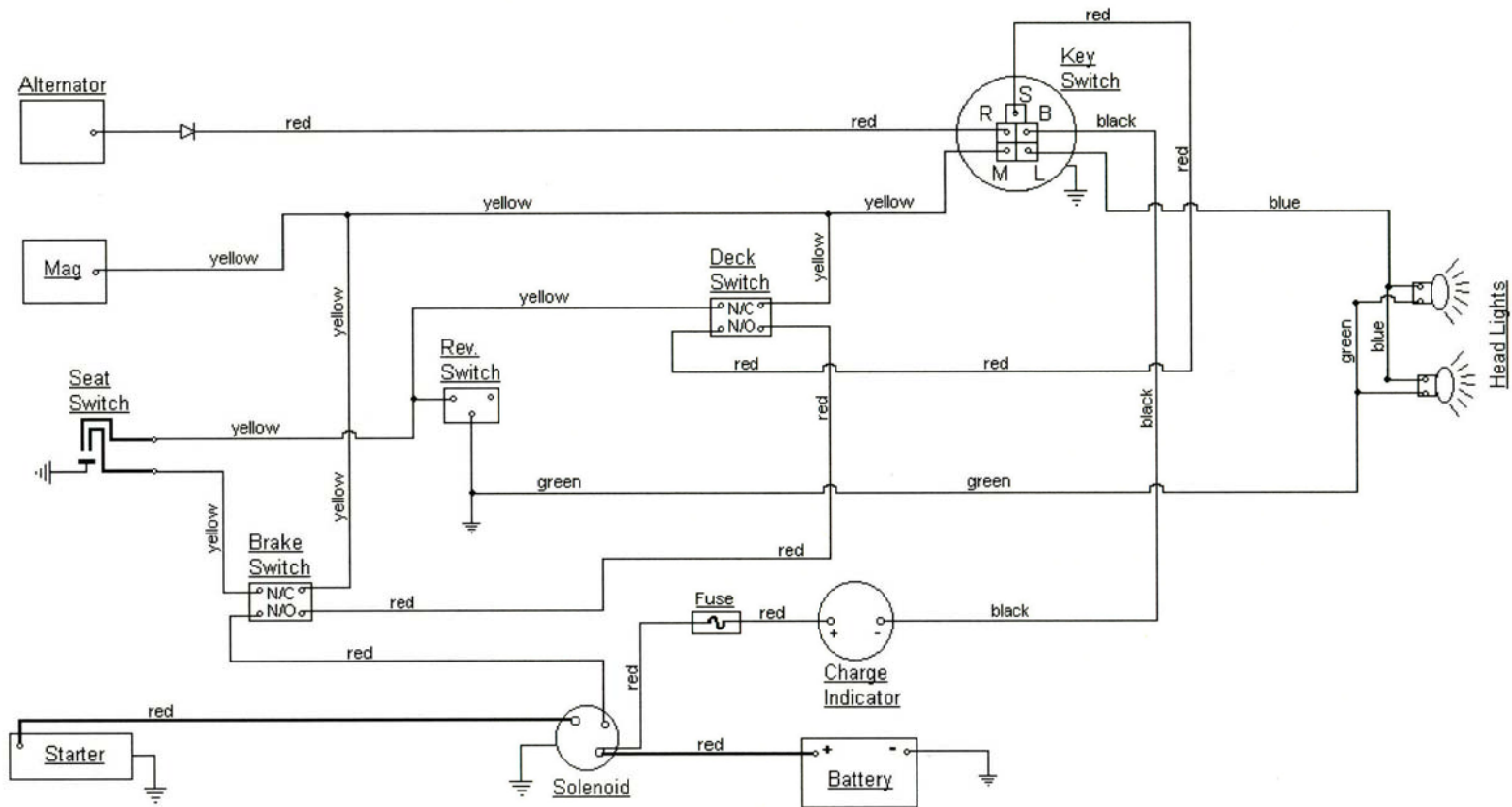


**MODEL 1020
SERIAL NUMBER (147,088 & Above)**



KEY SWITCH

OFF	M+G
RUN w/LIGHTS	B+A+L
RUN	B+A
START	B+S